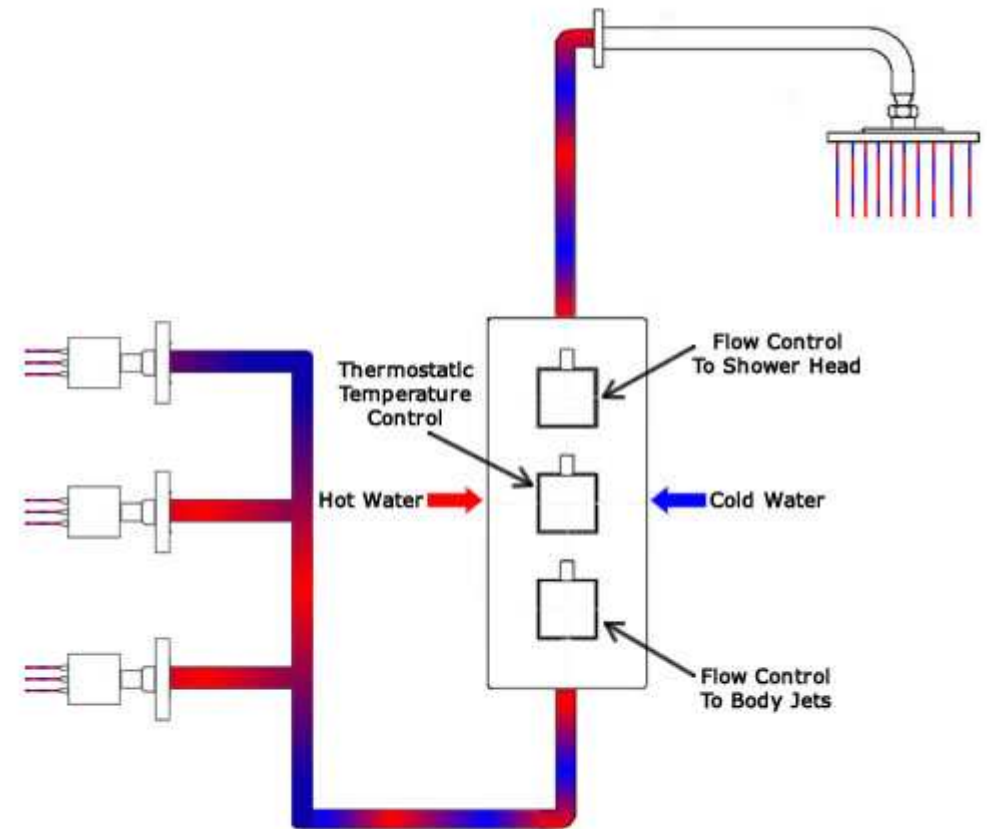


This image shows a Triple Valve (2 outlet options).

Shown here with Body Jets and a Shower Head and arm, but can be used to control any two separate outlets (Slide Rail Kit, Tub Filler etc).

The two separate ¼ turn flow control handles can let the water flow either to the Shower Head or the Body Jets, or both at the same time.

Please note: using two functions simultaneously may reduce the water flow to both outlets.



Hudson Reed