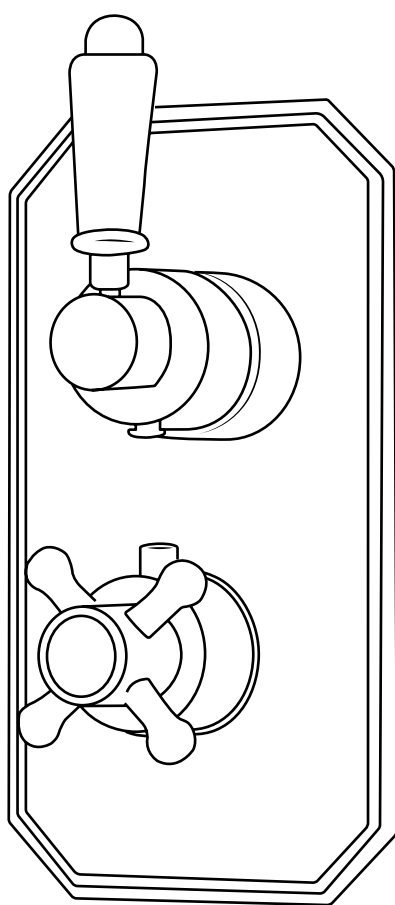


Hudson Reed

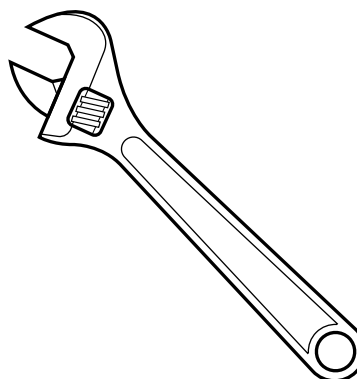
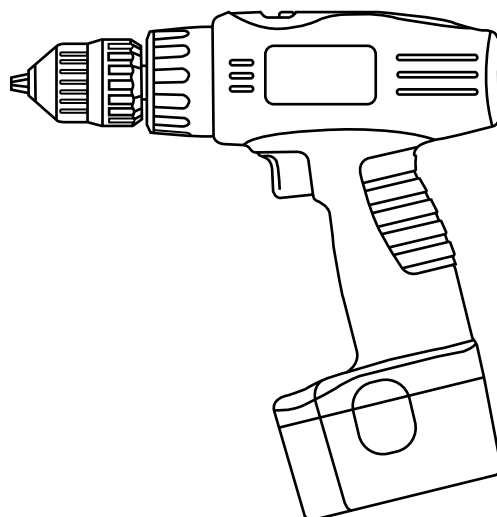
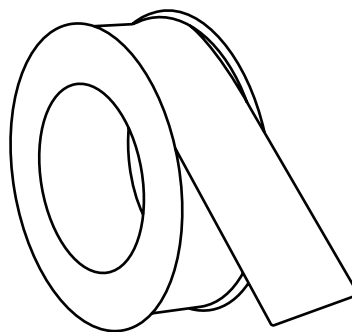
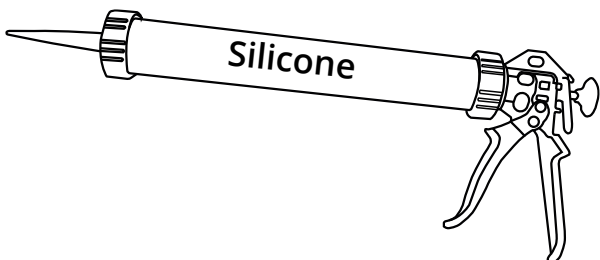
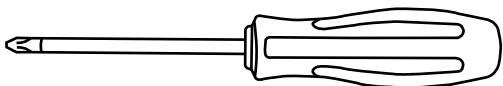
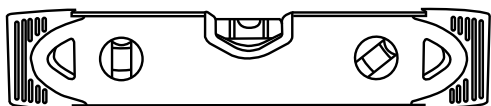
Traditional Twin Valve



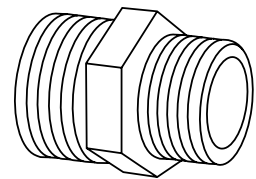
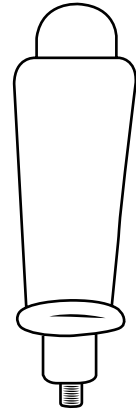
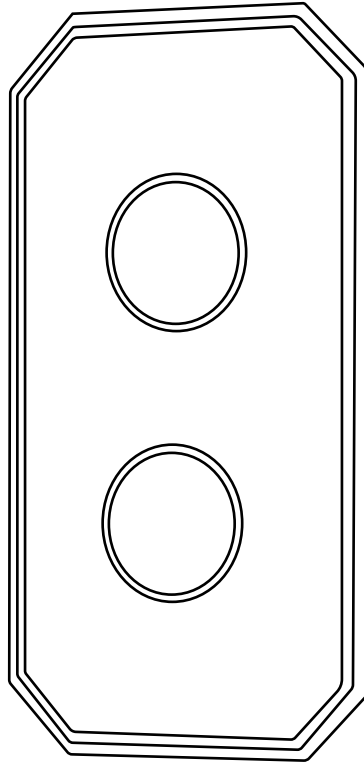
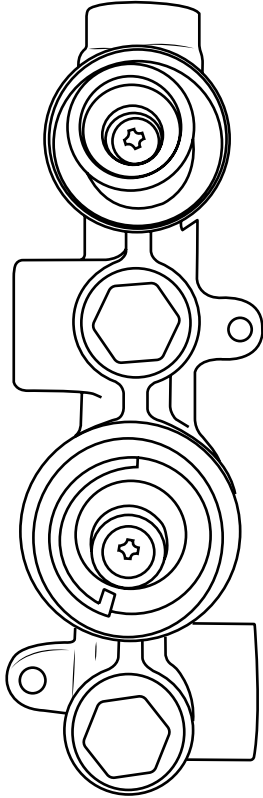
Installation Guide

Installation

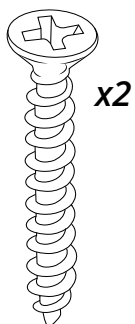
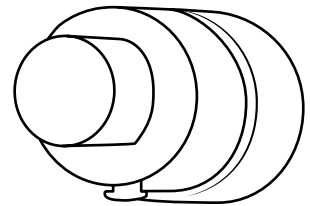
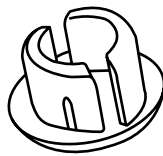
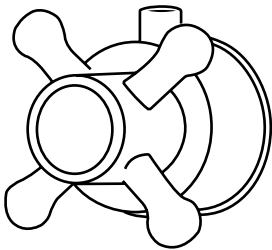
Tools required for installing:



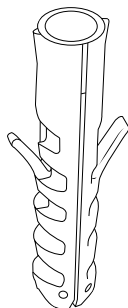
Parts included:



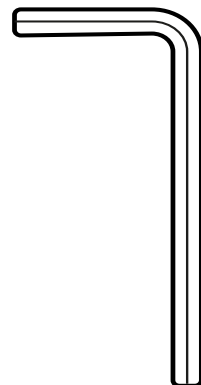
x3



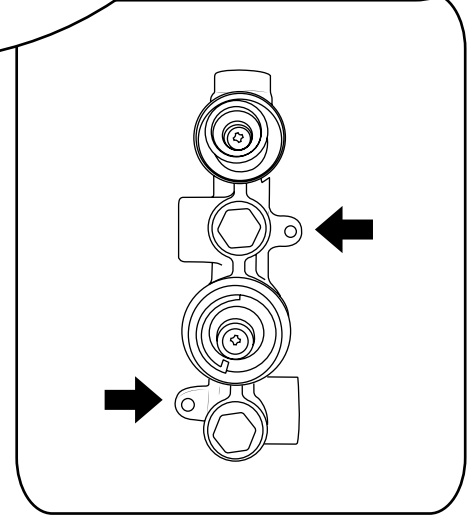
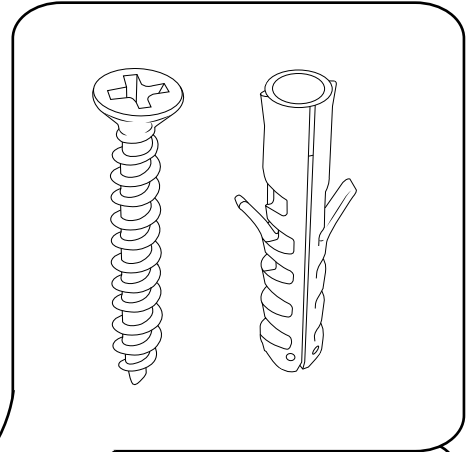
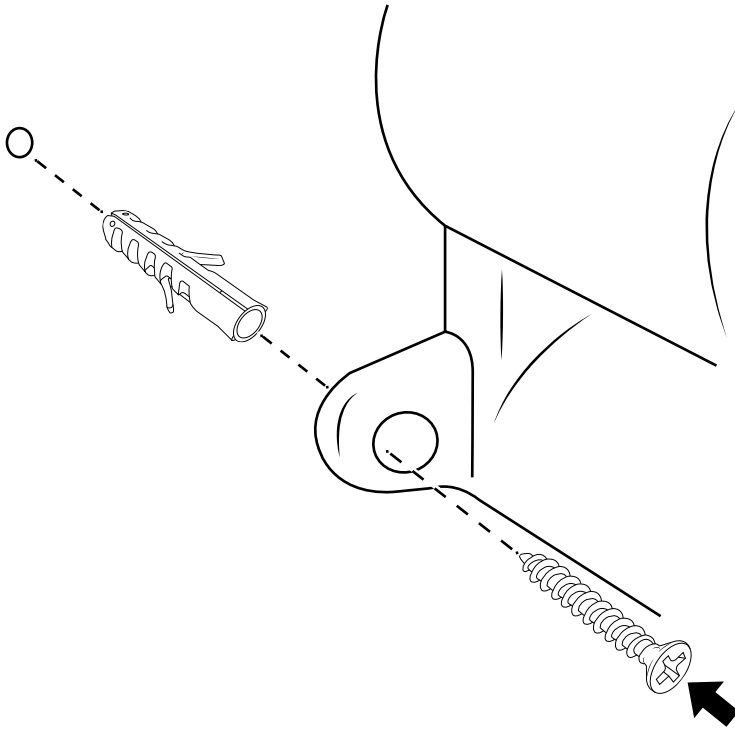
x2



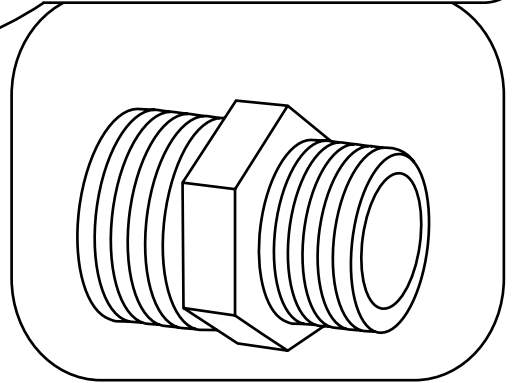
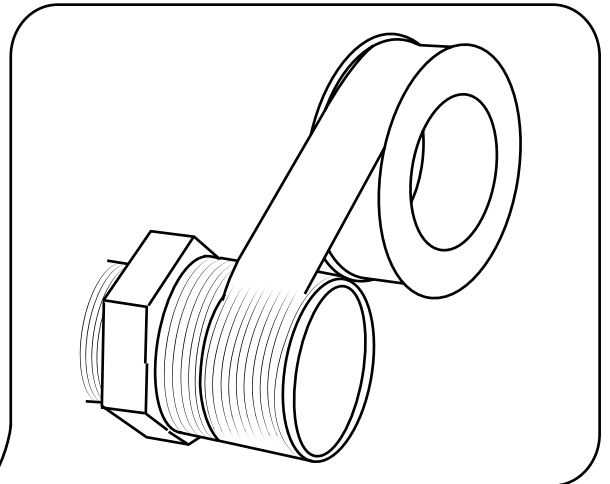
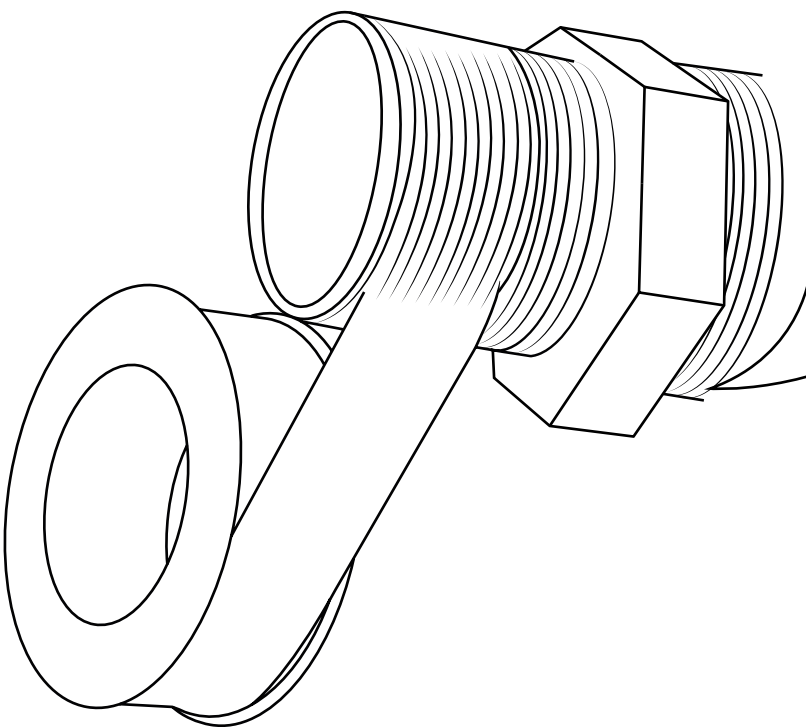
x2



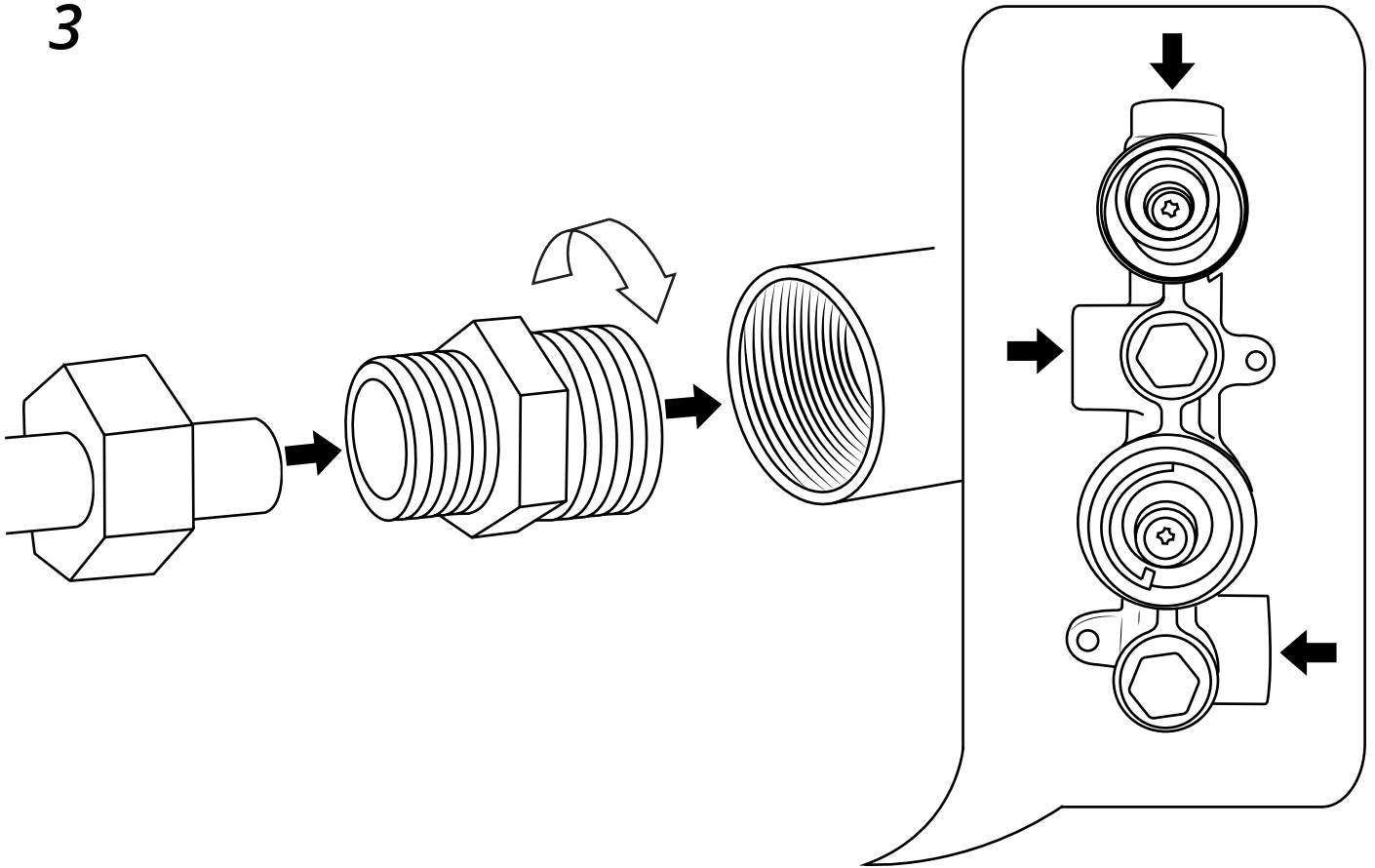
1



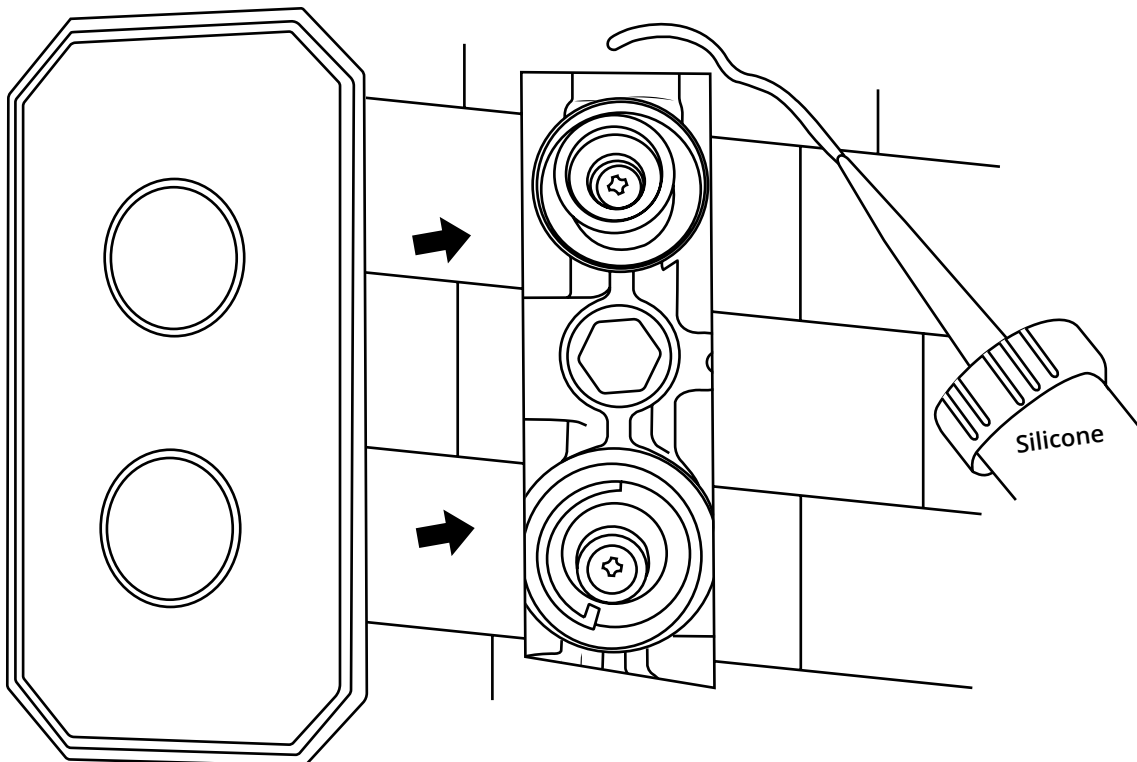
2



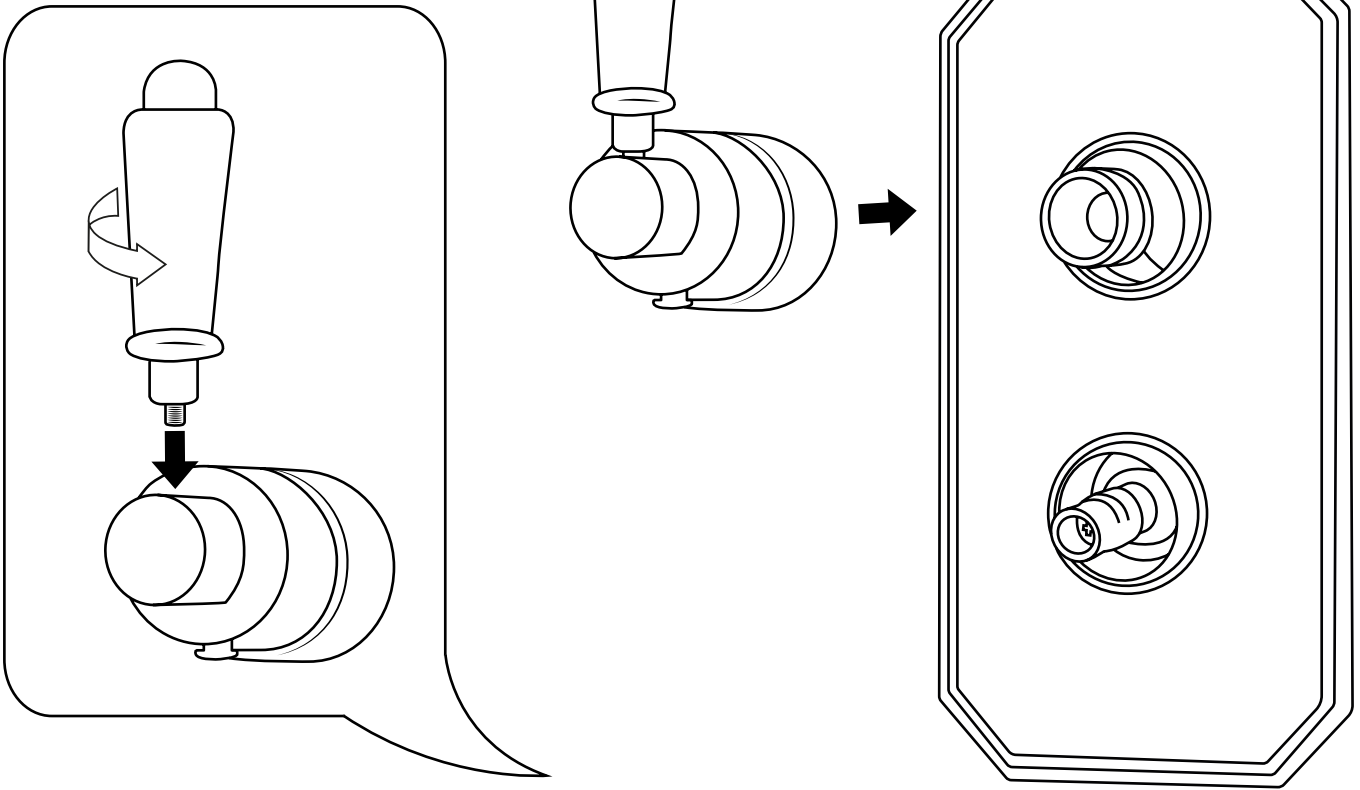
3



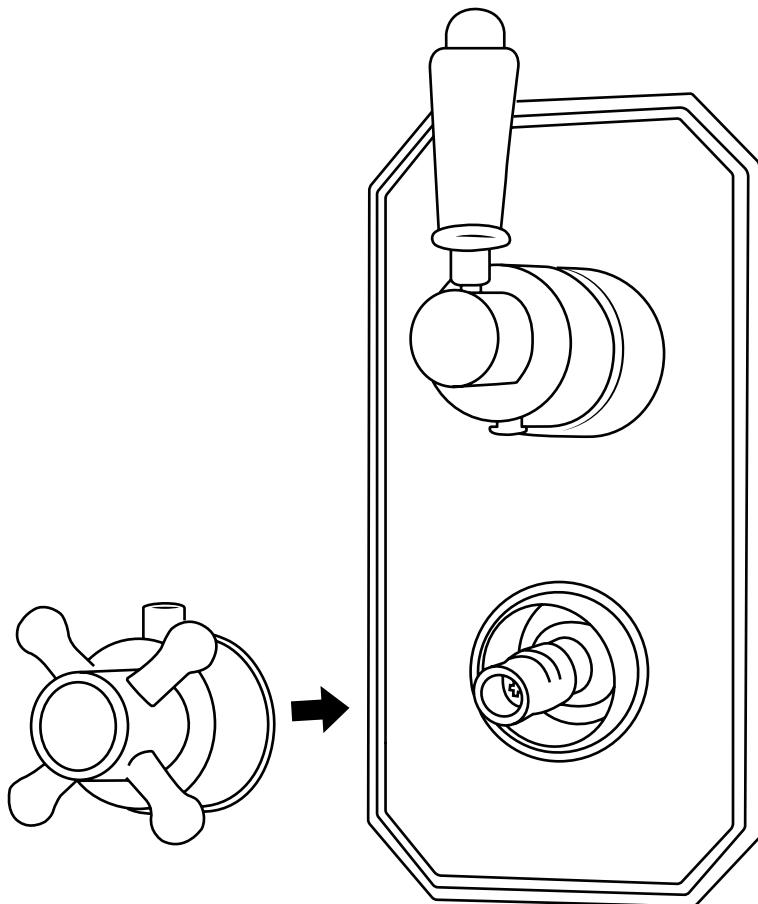
4



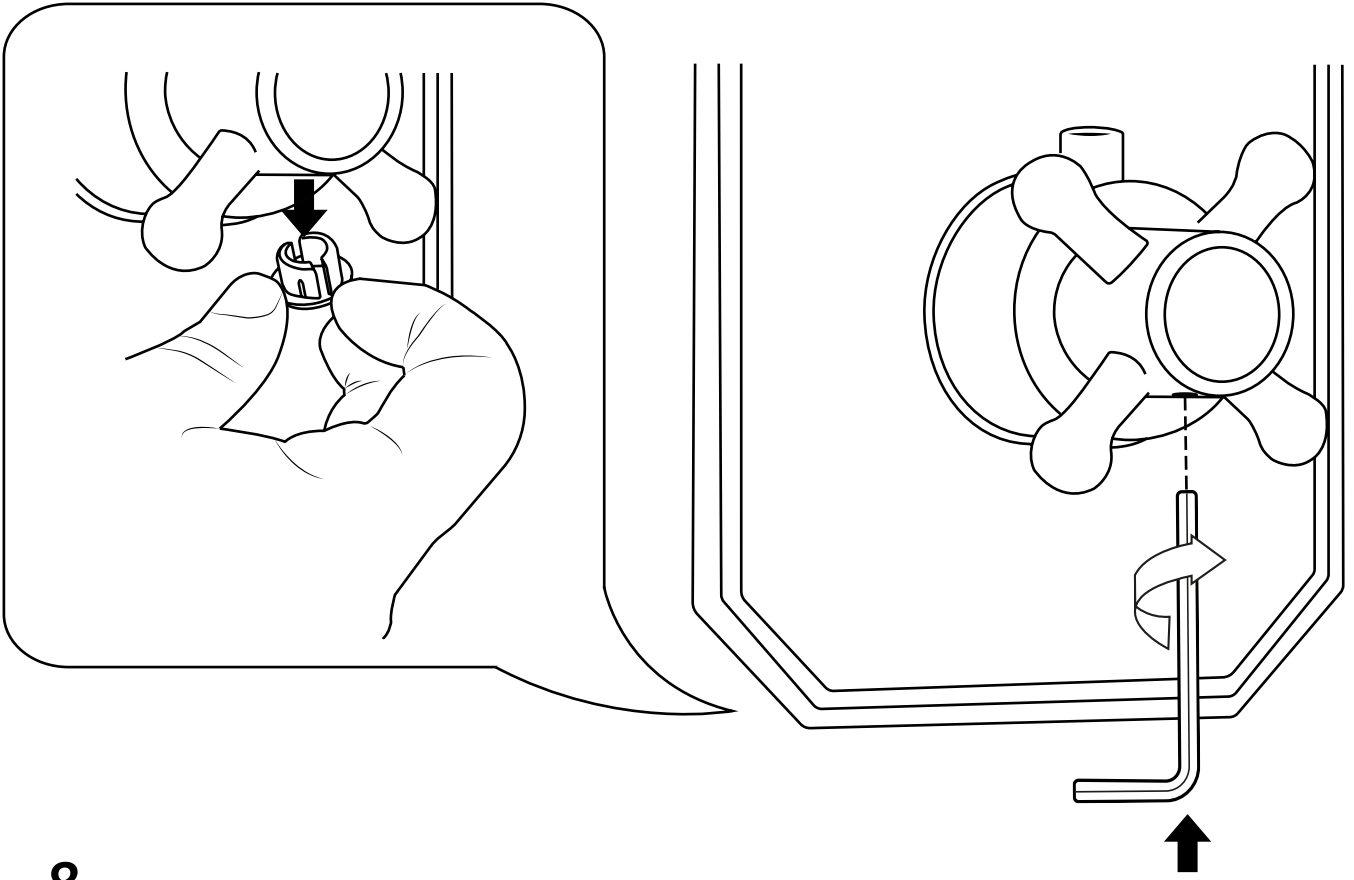
5



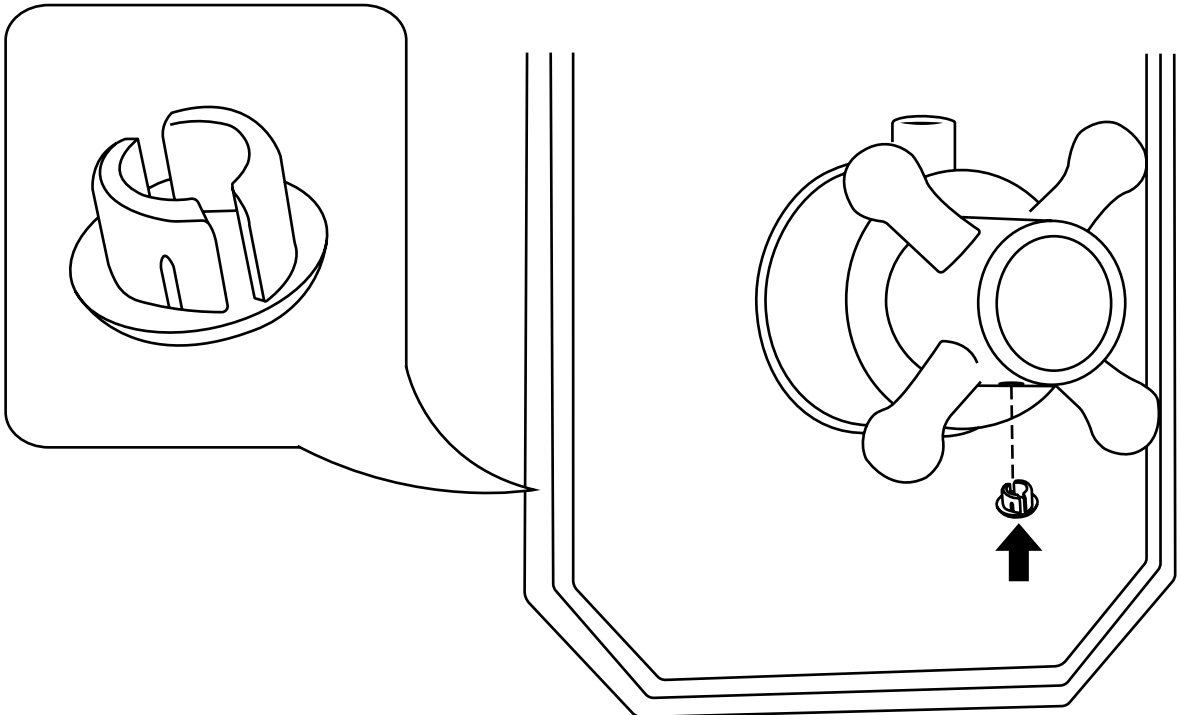
6



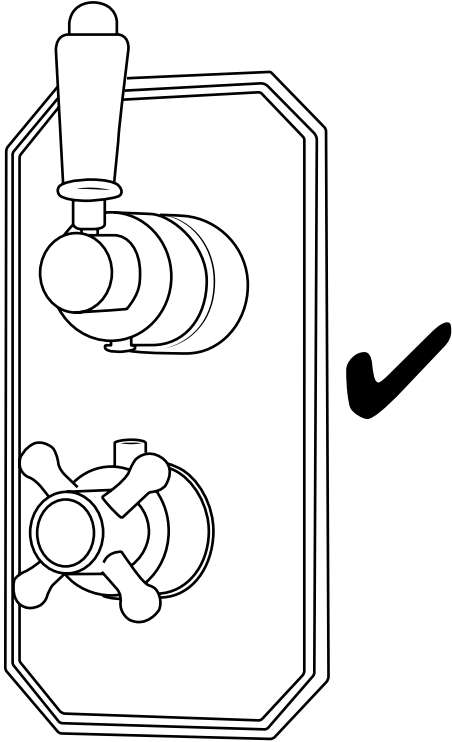
7



8



9



Installation Example

