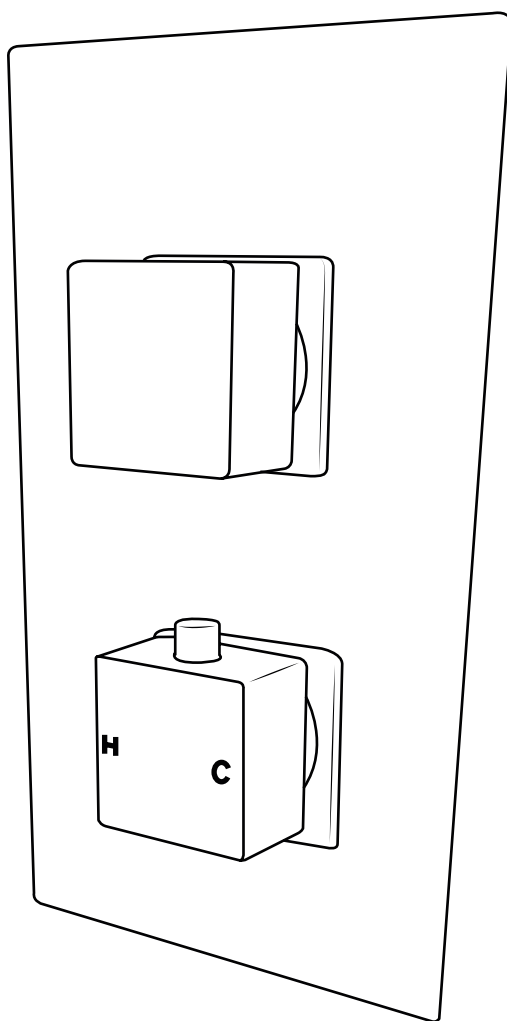


Hudson Reed

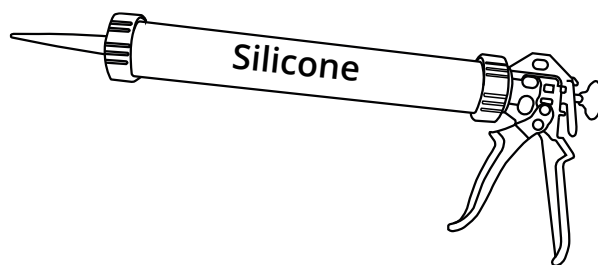
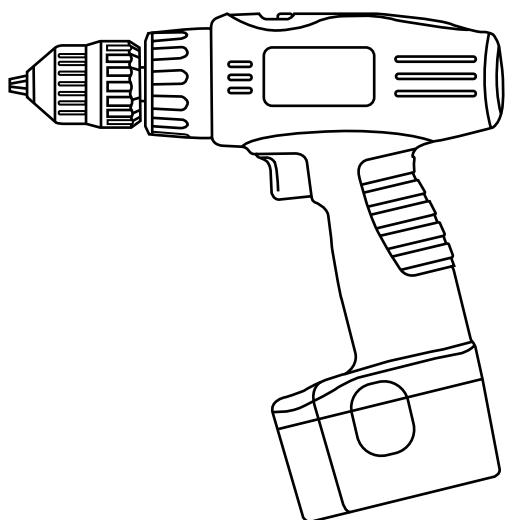
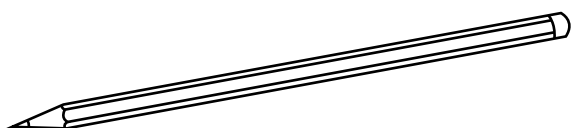
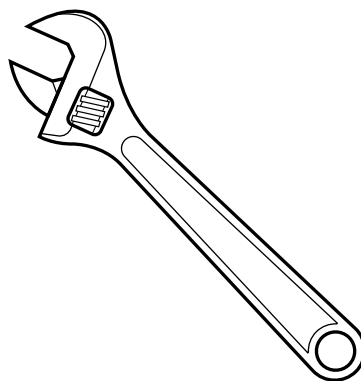
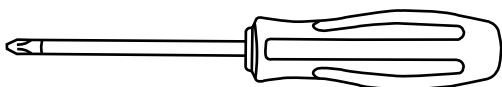
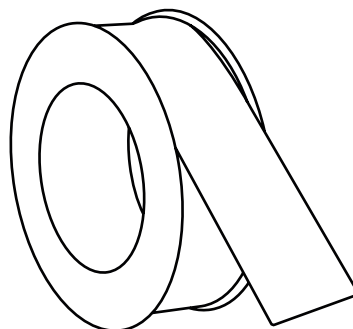
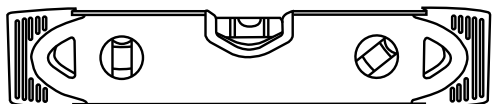
Shower Valve



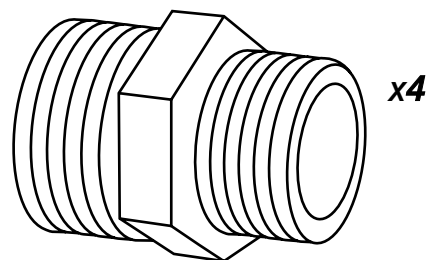
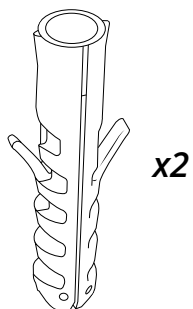
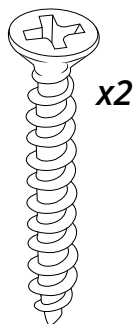
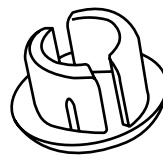
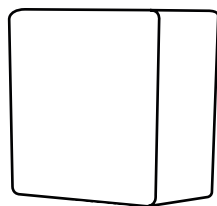
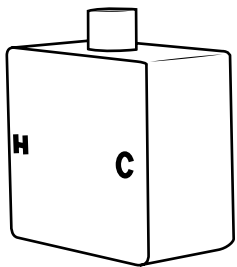
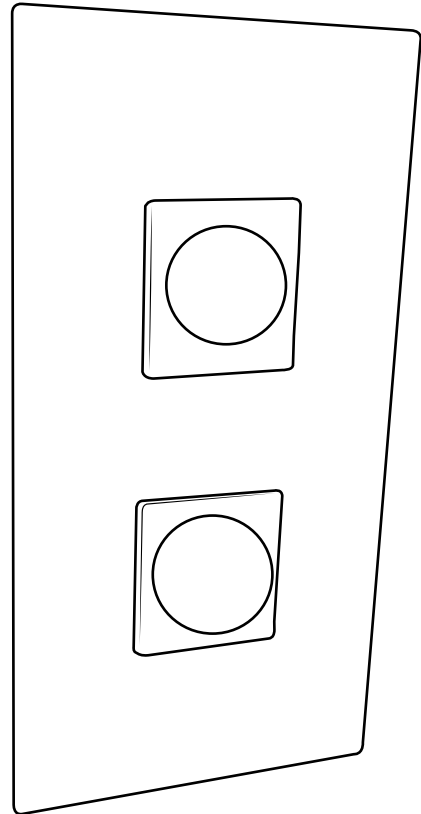
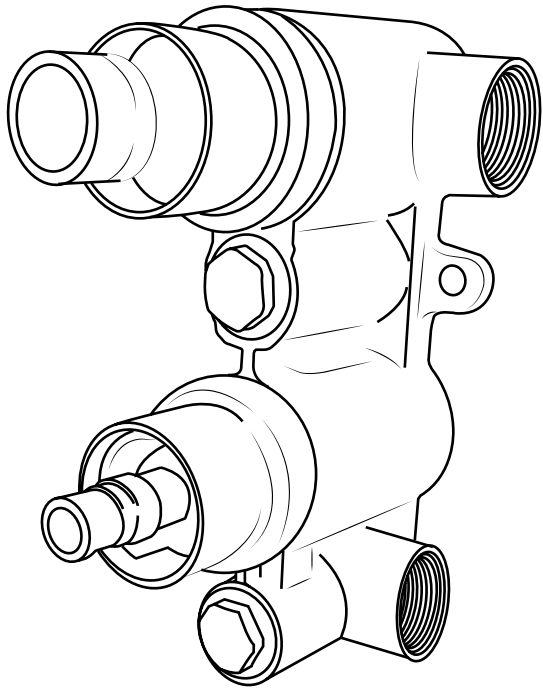
Installation Guide

Installation

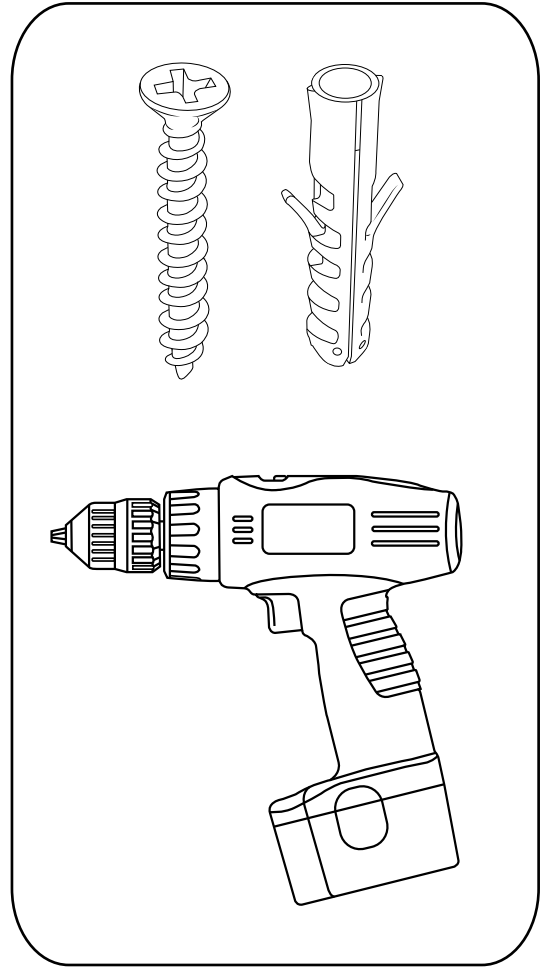
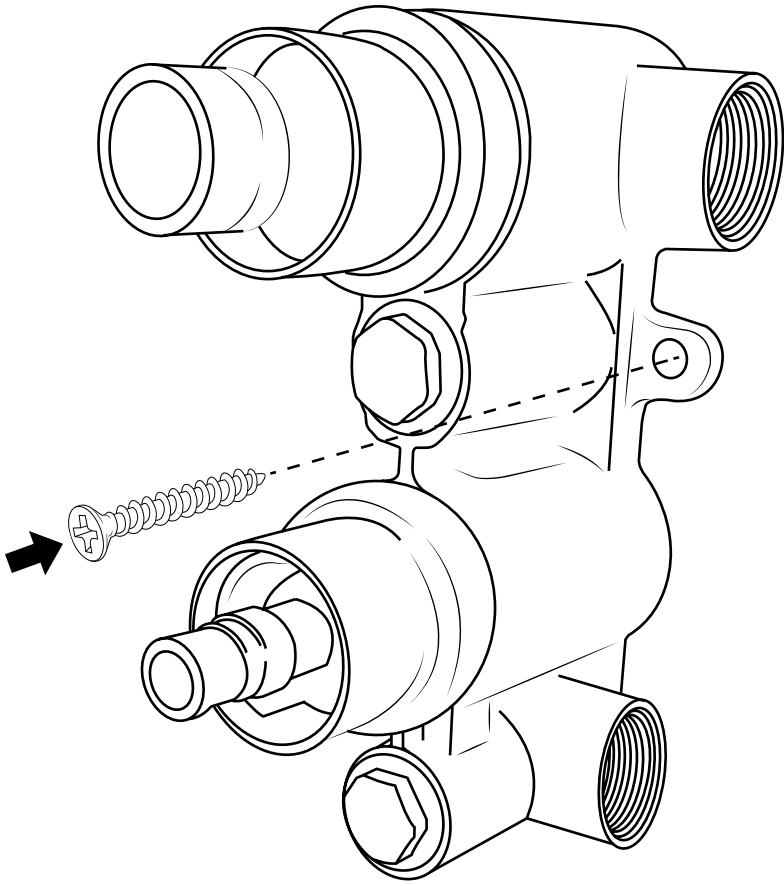
Tools required for installing:



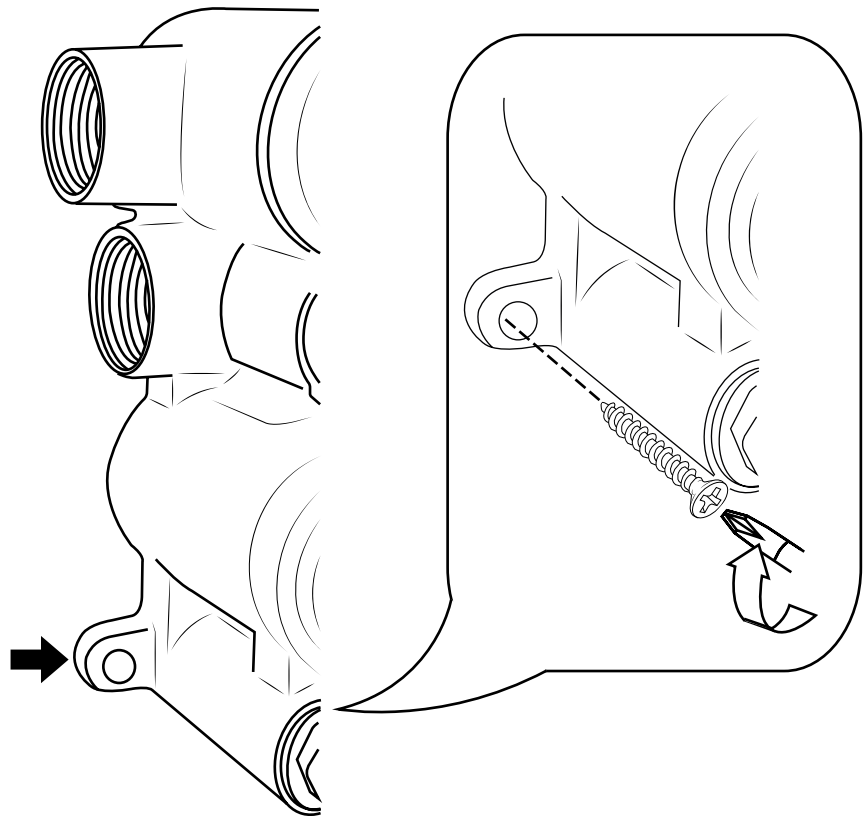
Parts included:



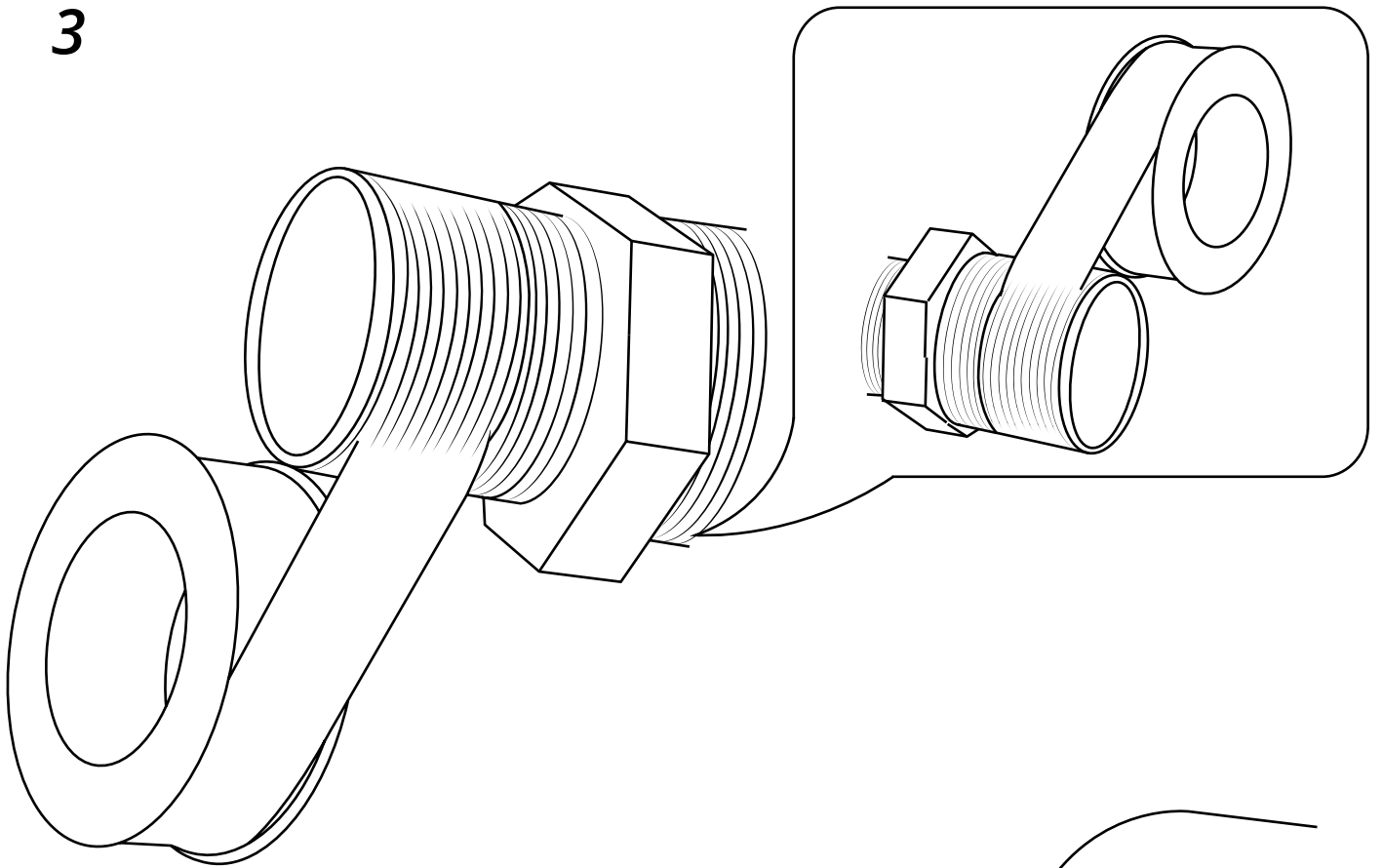
1



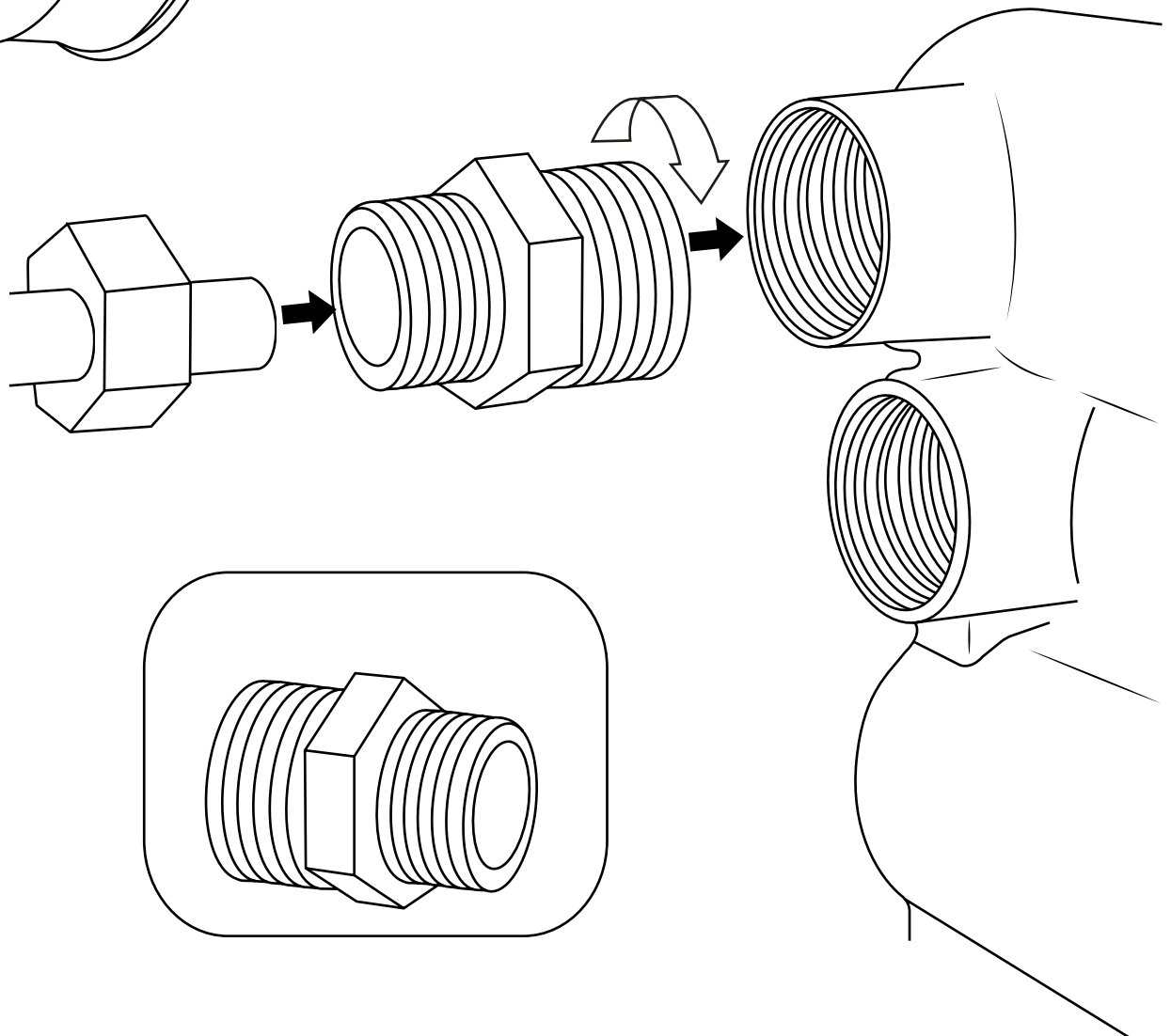
2



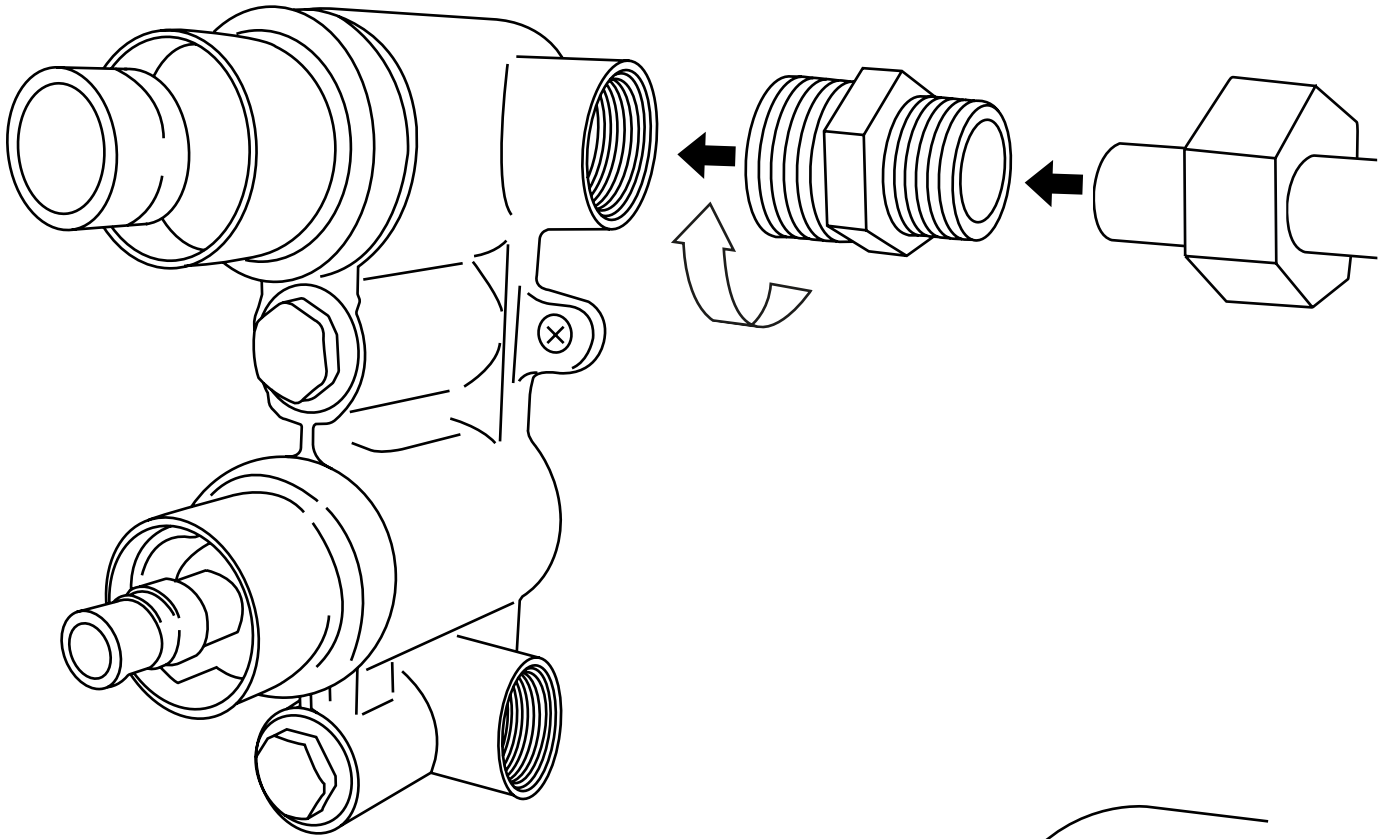
3



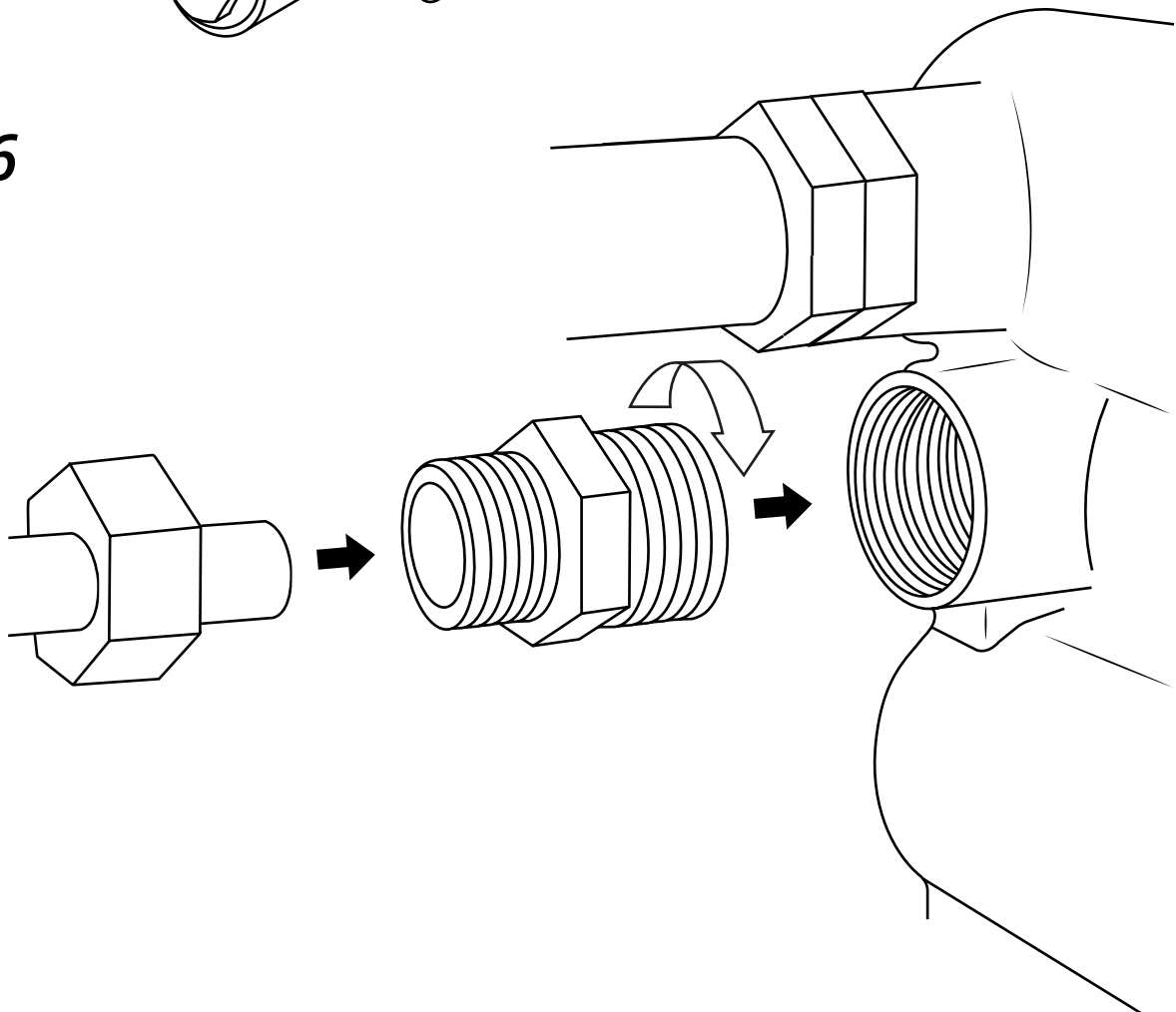
4



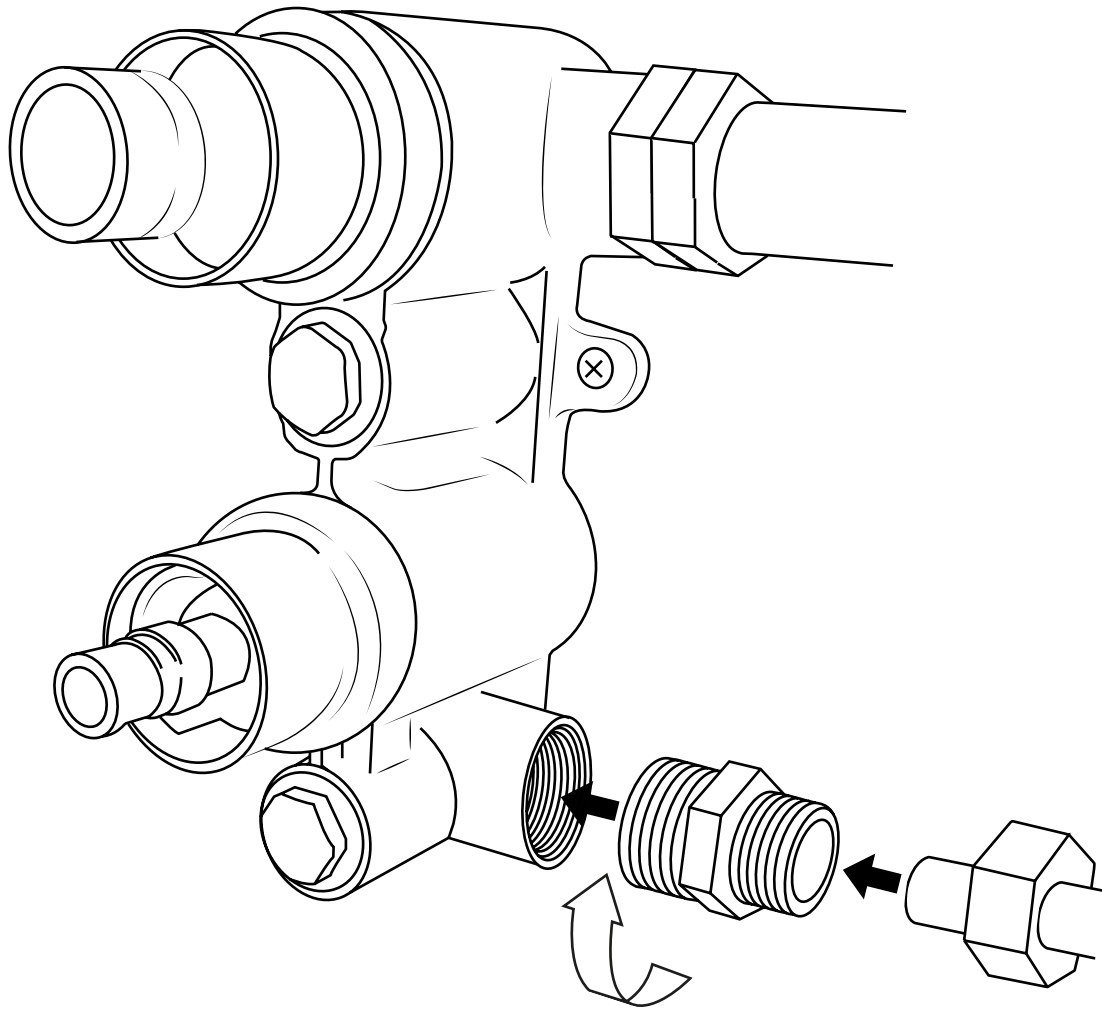
5



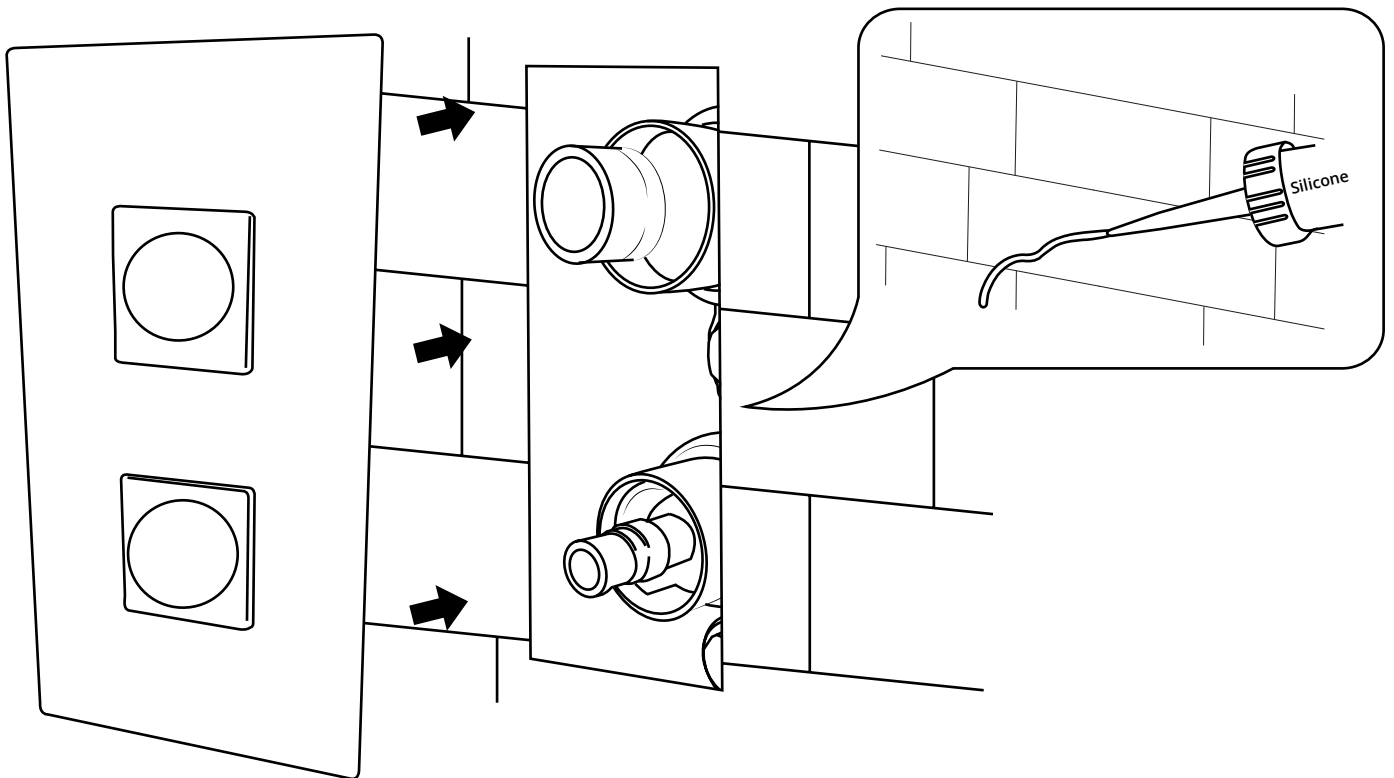
6



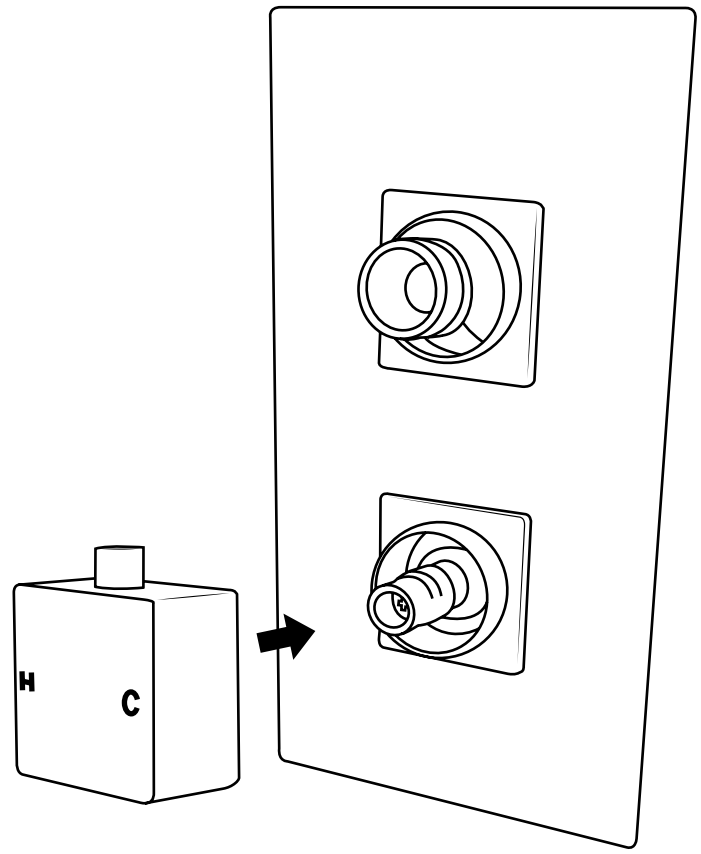
7



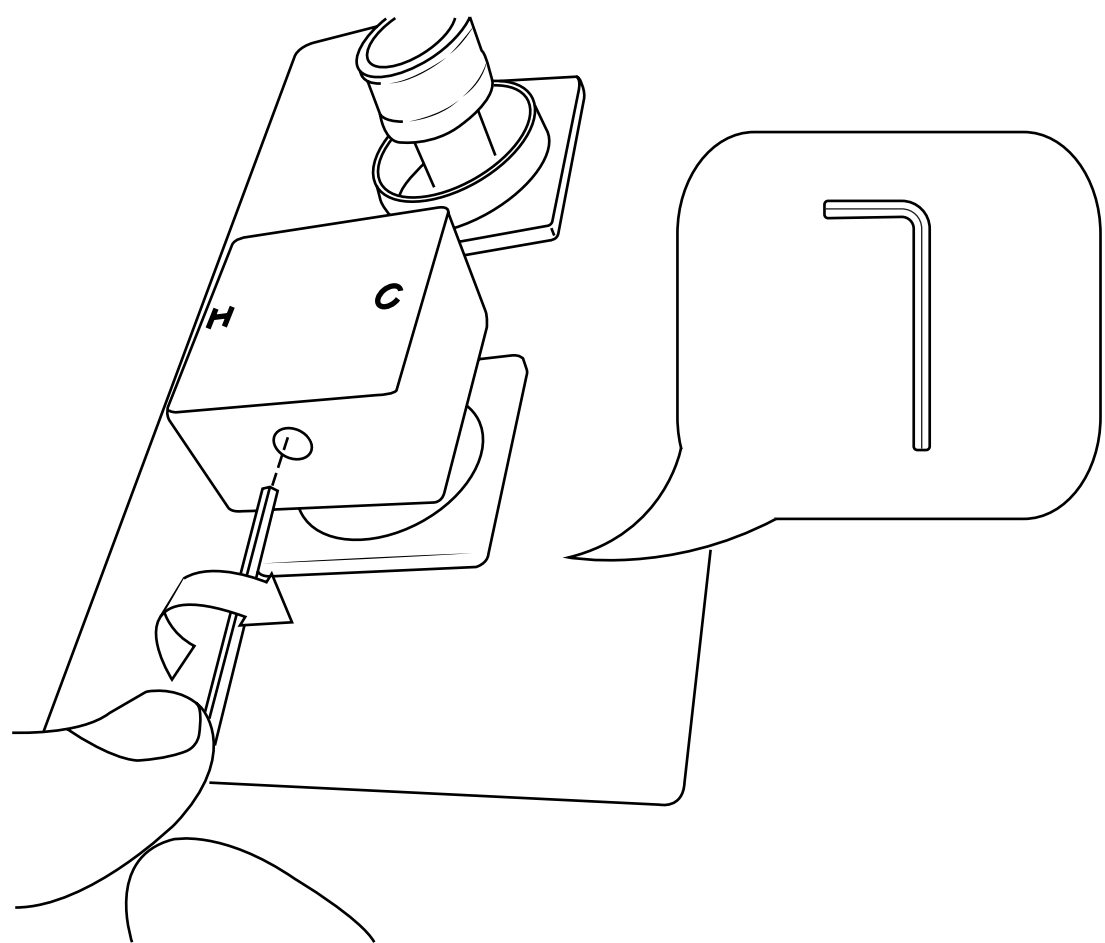
8



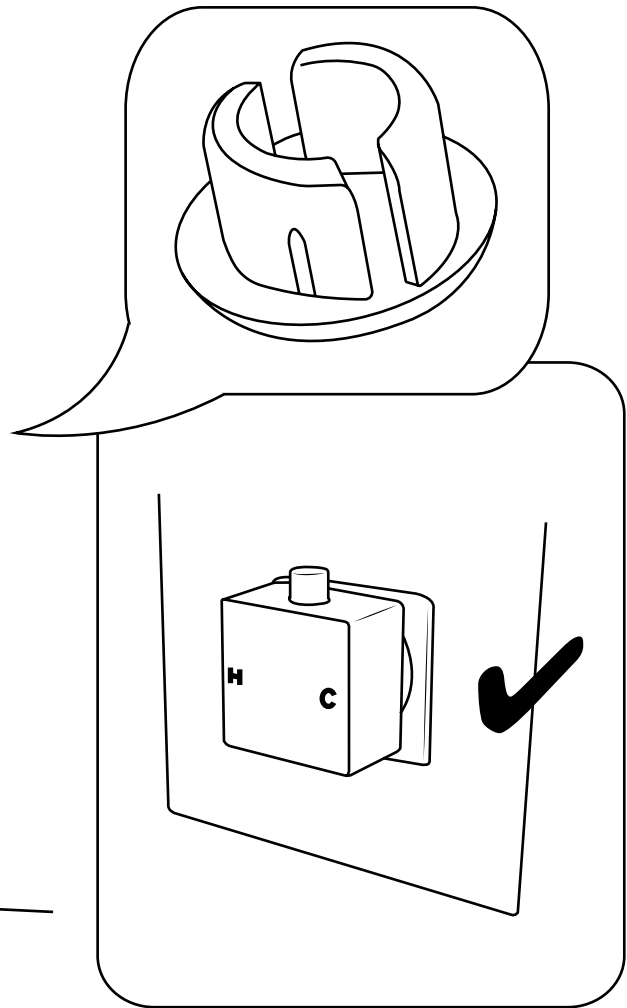
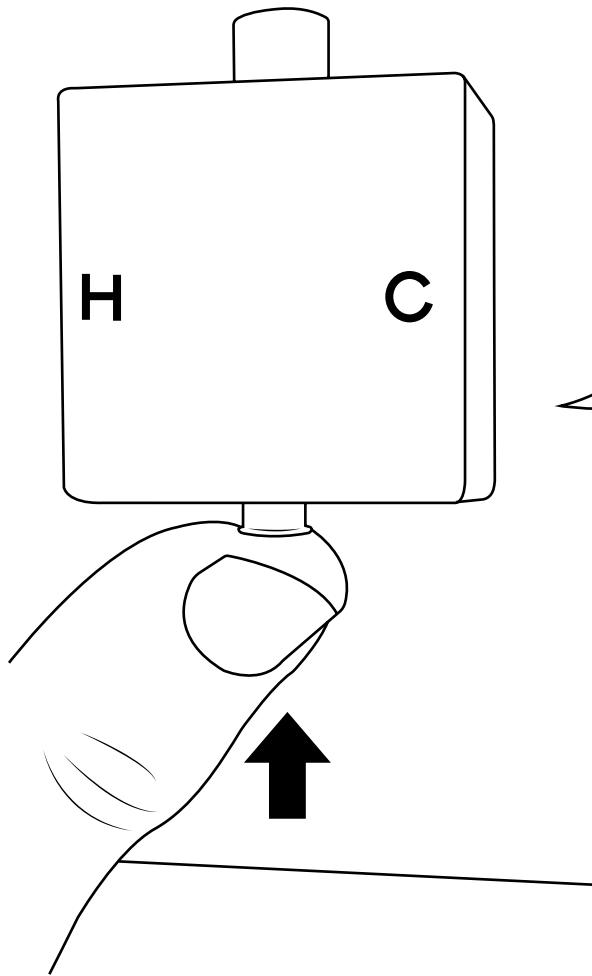
9



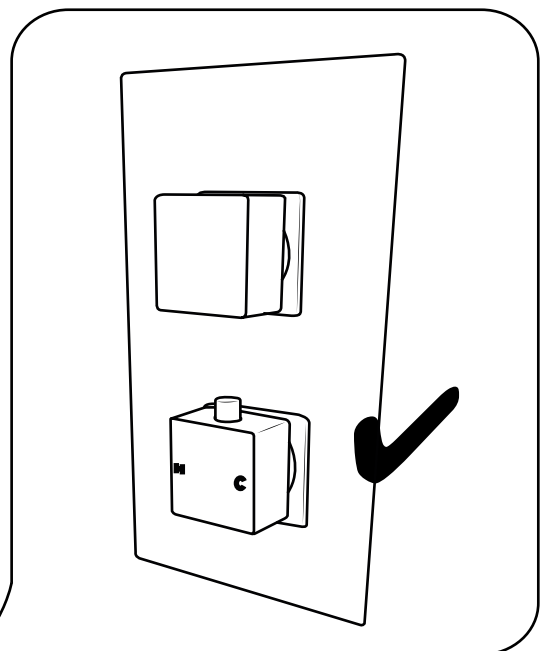
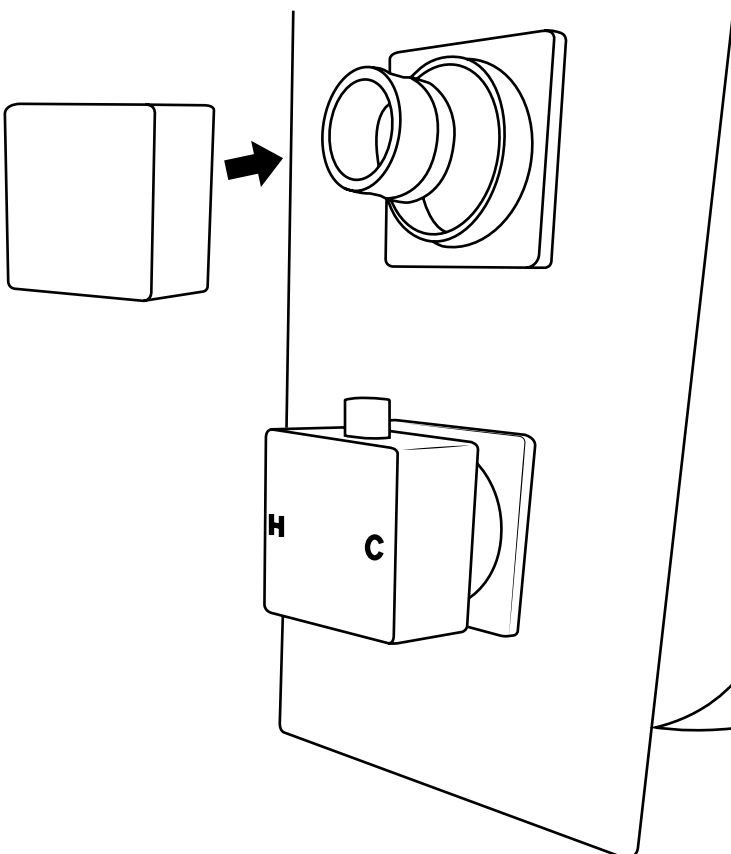
10



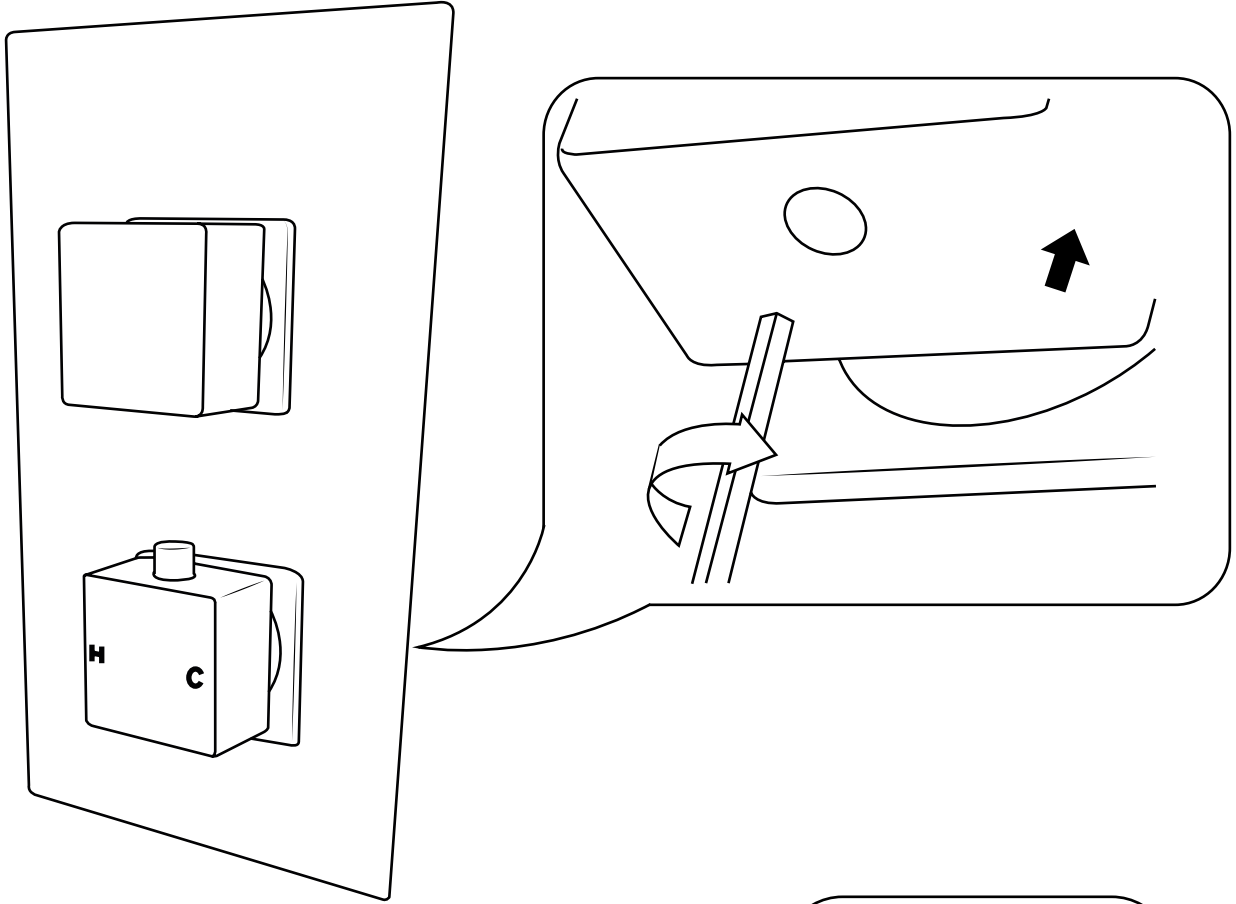
11



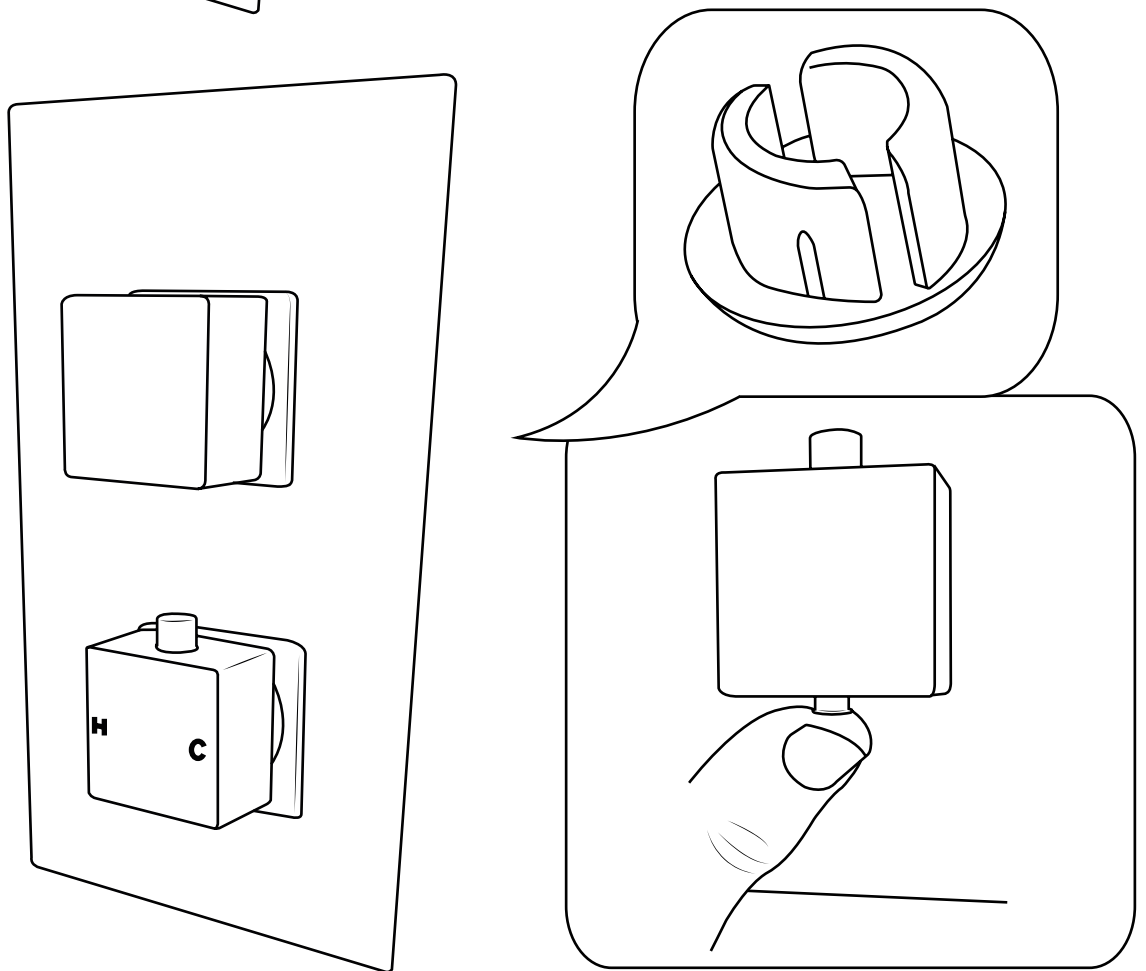
12



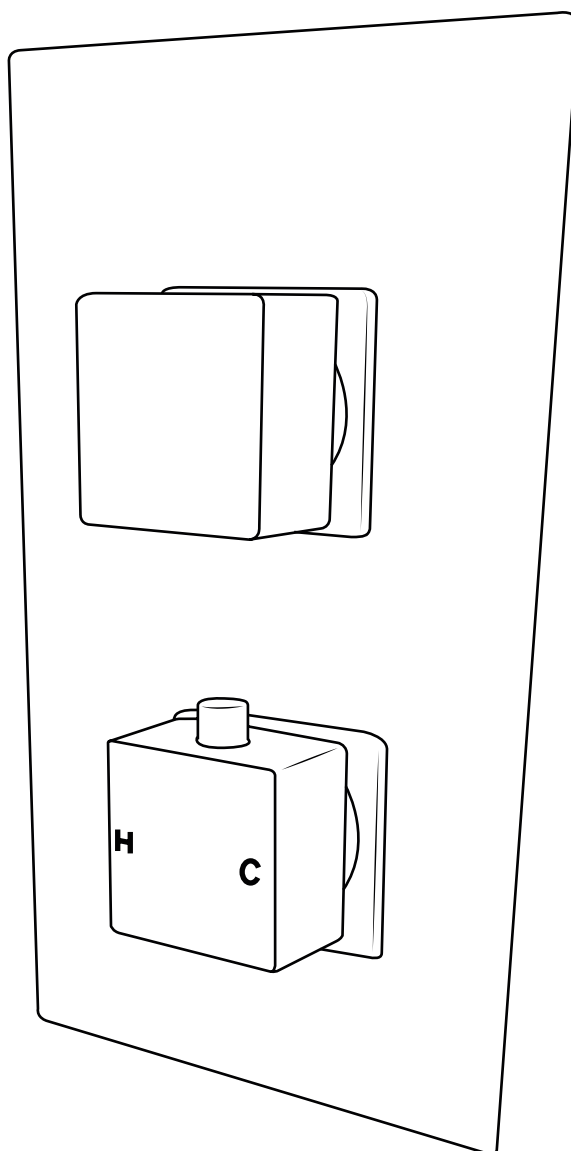
13



14



15



Installation Example

