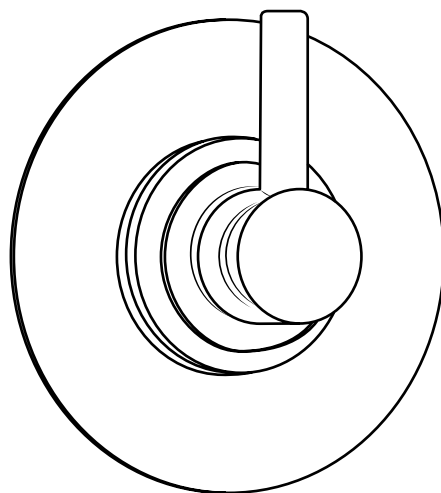



# Hudson Reed

Shut Off Valve

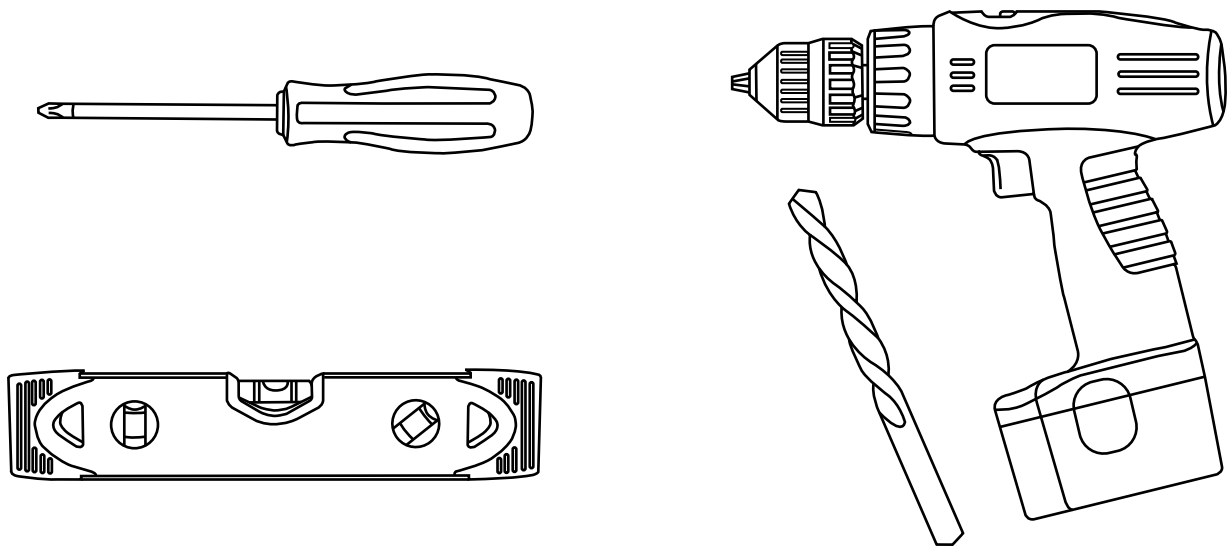


 Style may vary

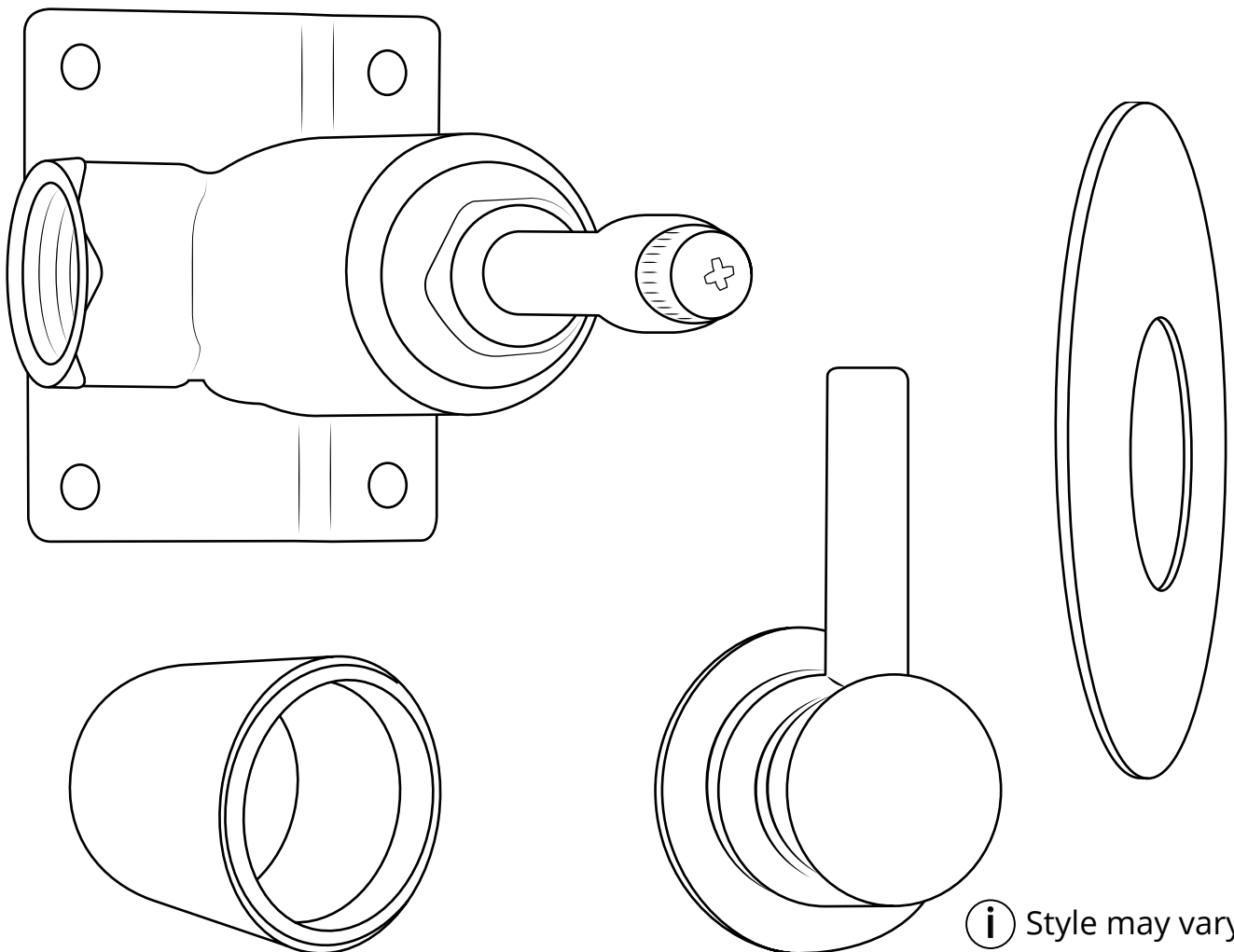
Installation Guide

# Installation

## *Tools required for installing:*

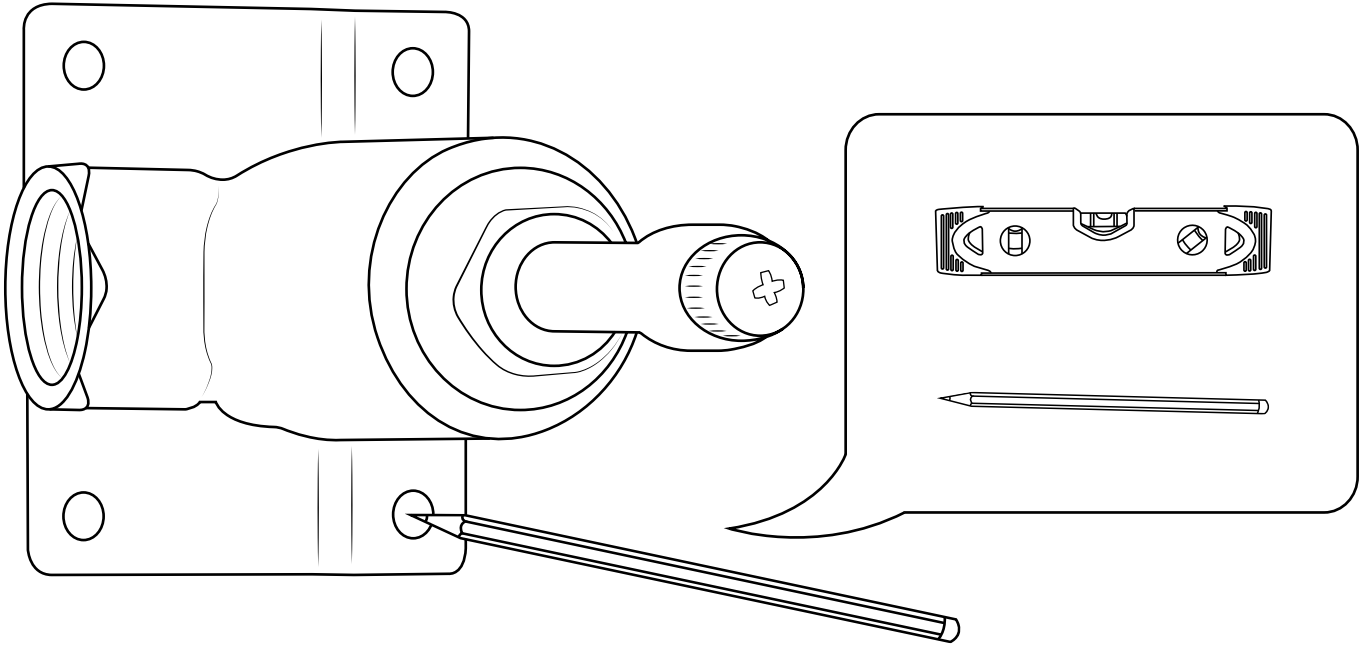


## *Parts included:*

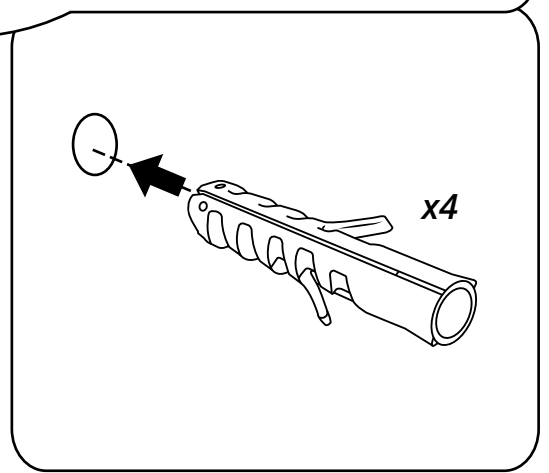
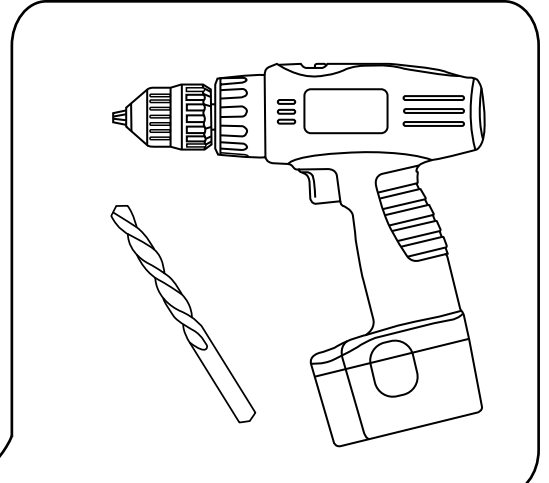
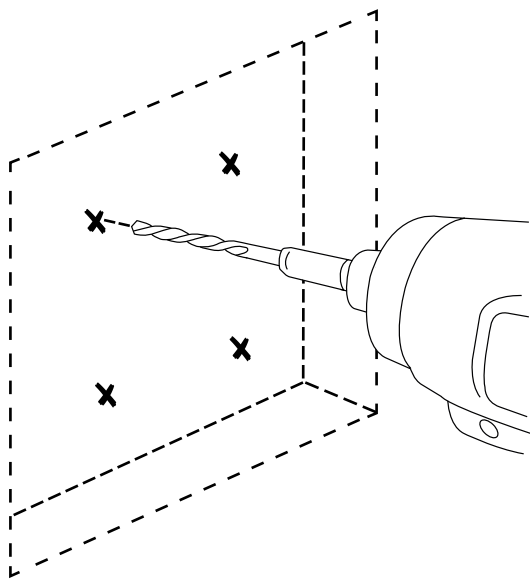


**i** Style may vary

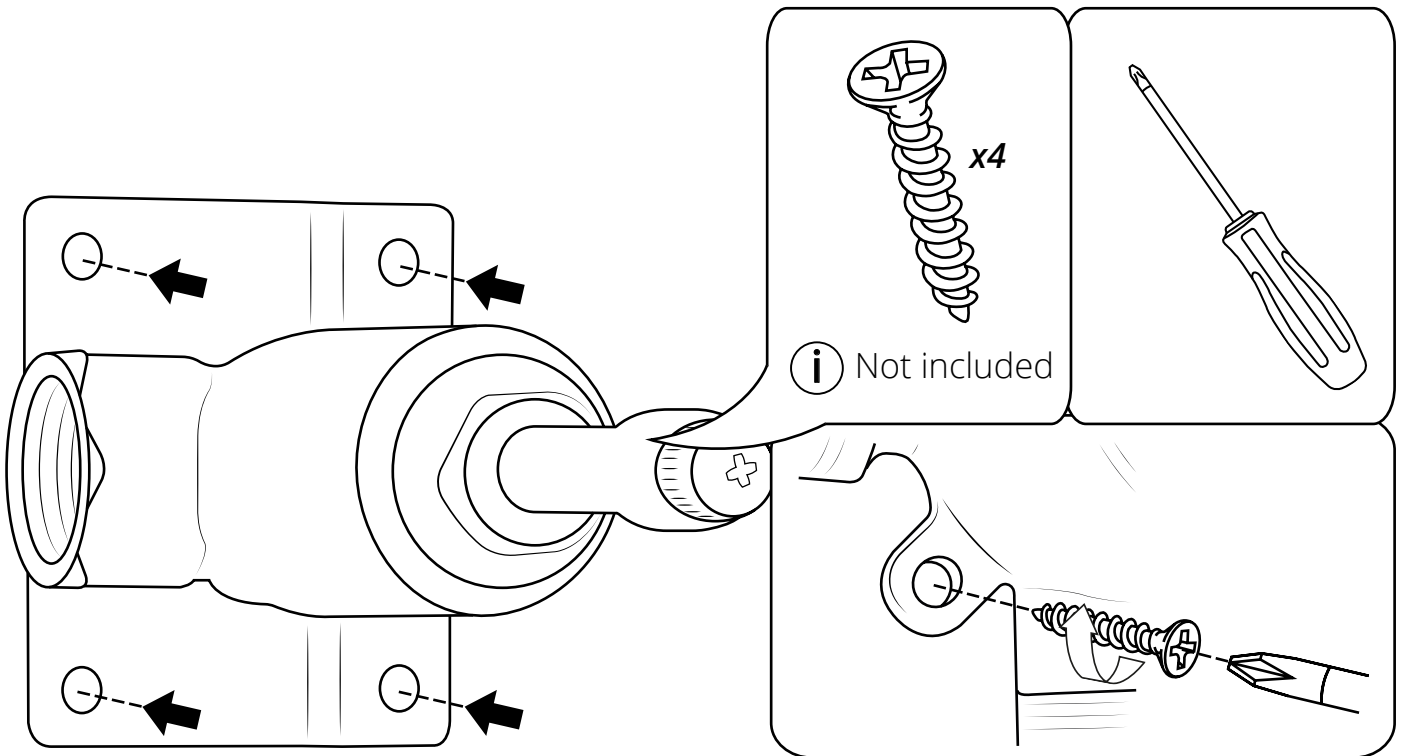
1



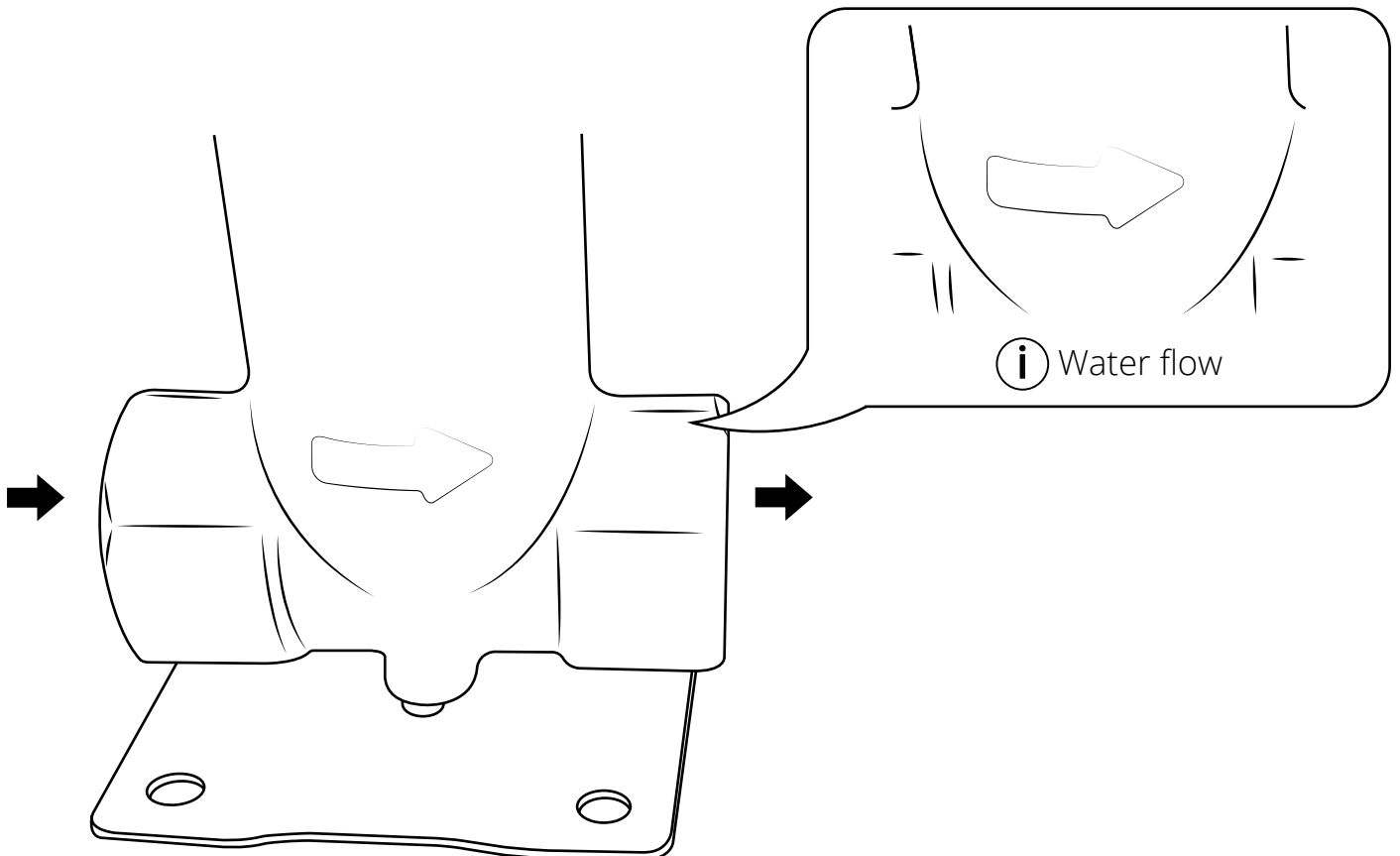
2



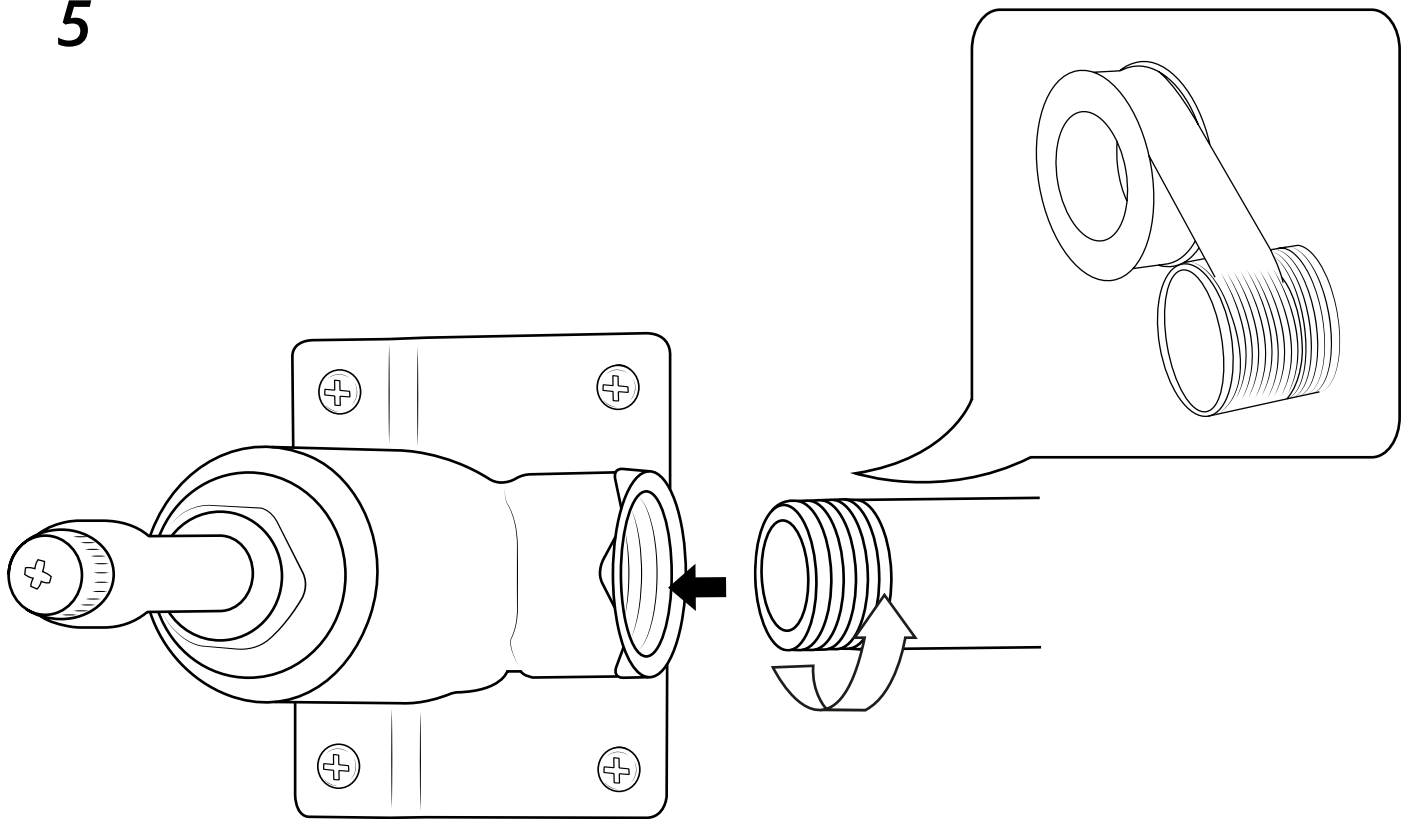
3



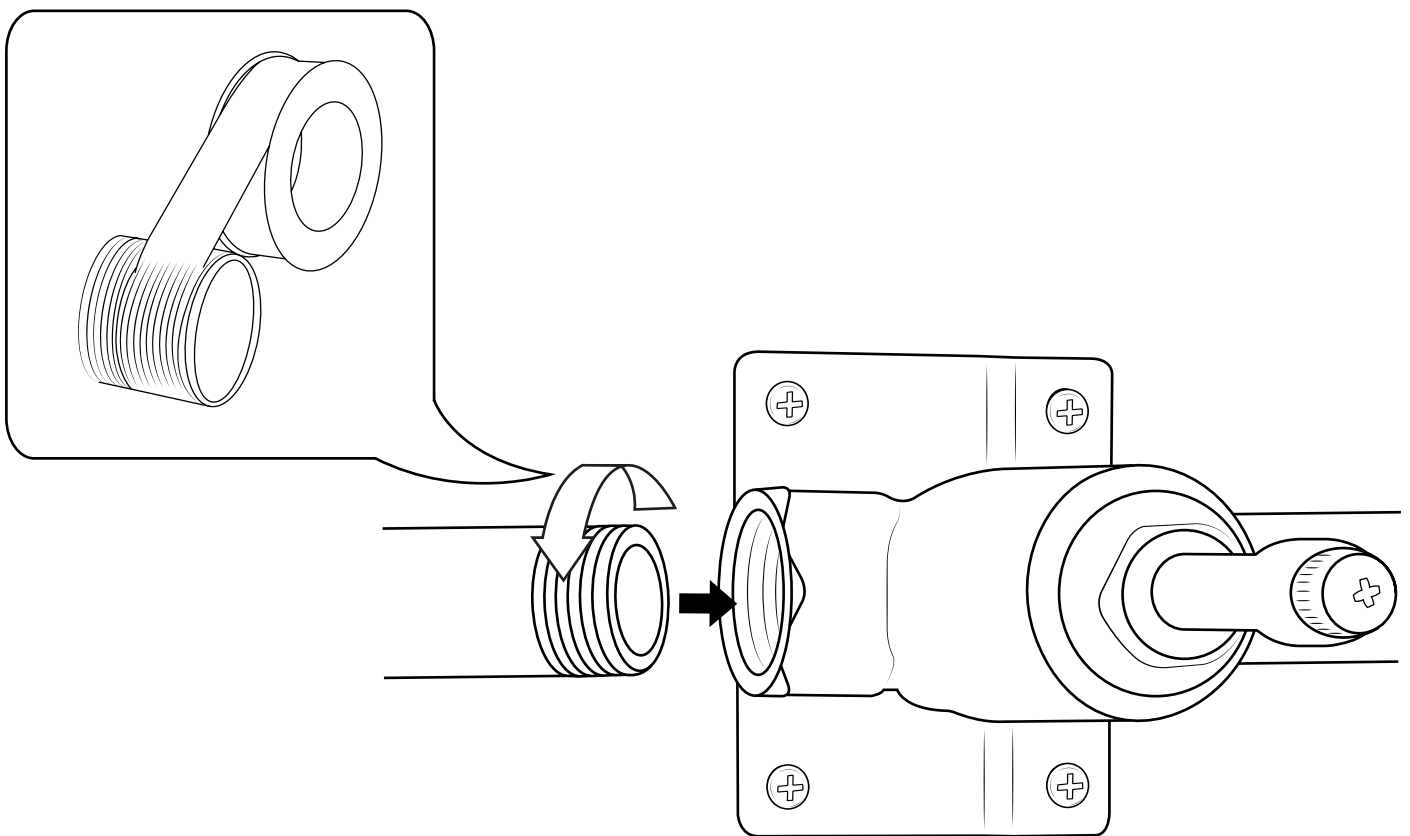
4



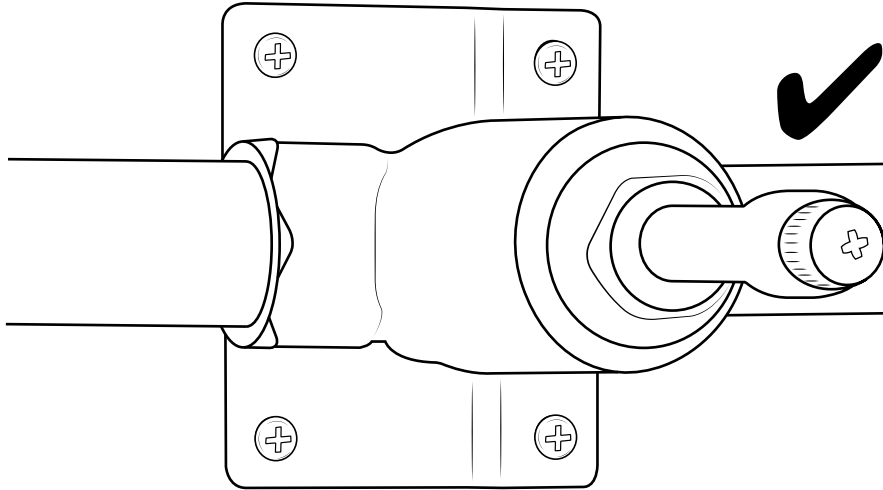
5



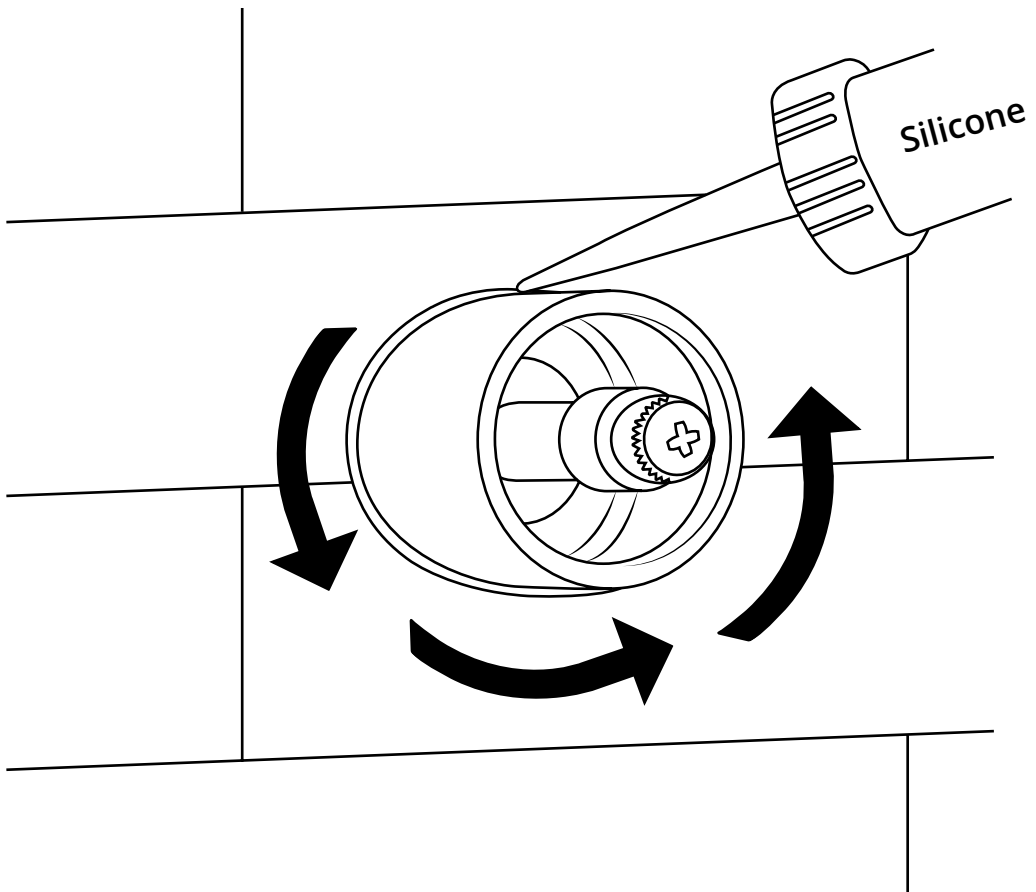
6



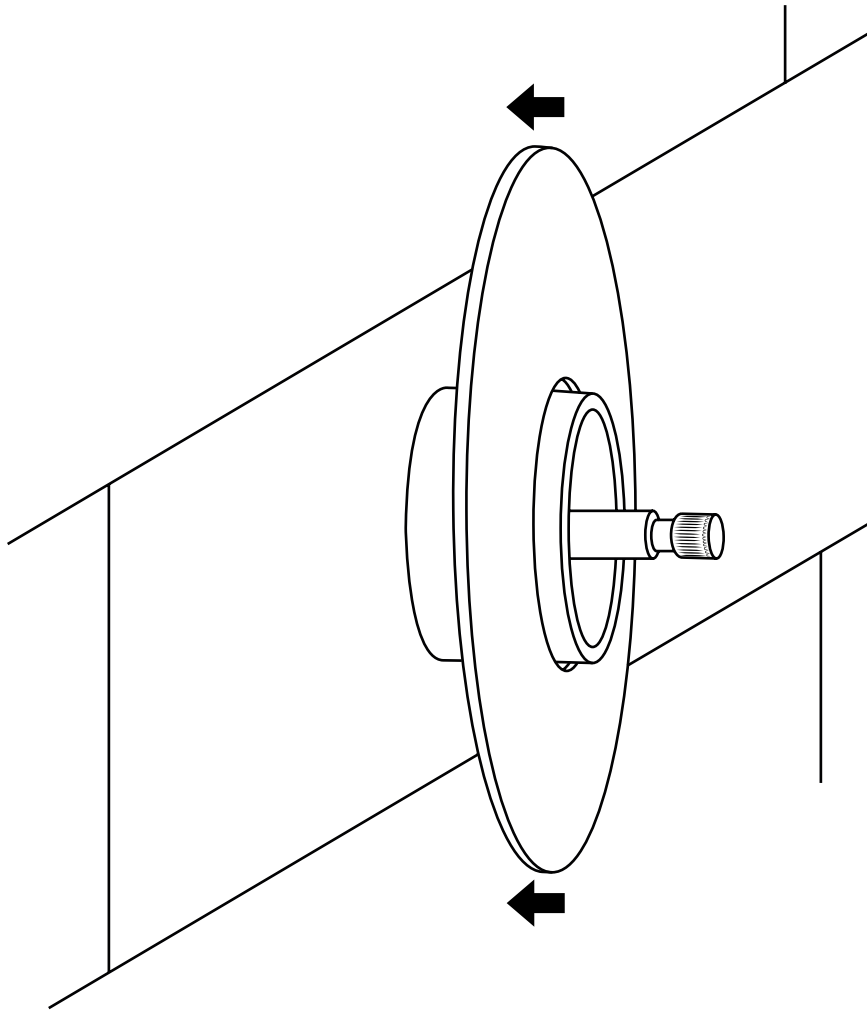
7



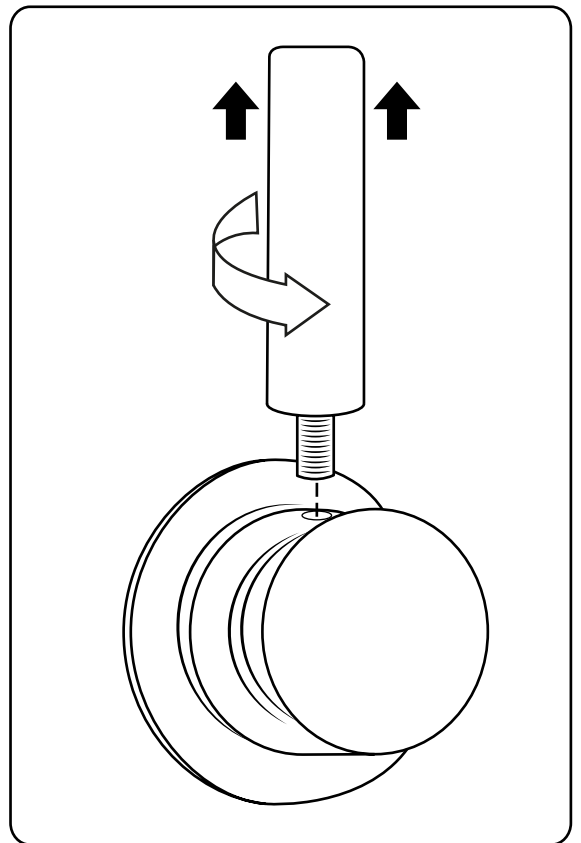
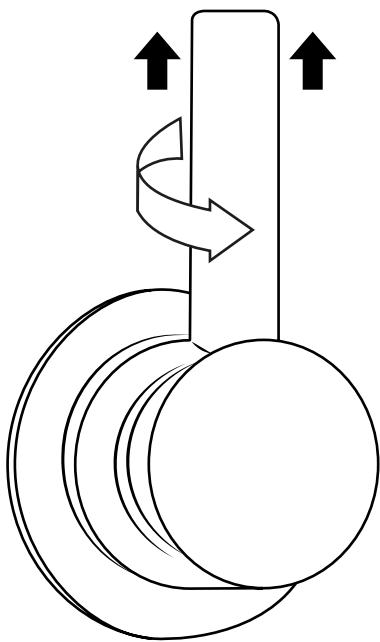
8



9

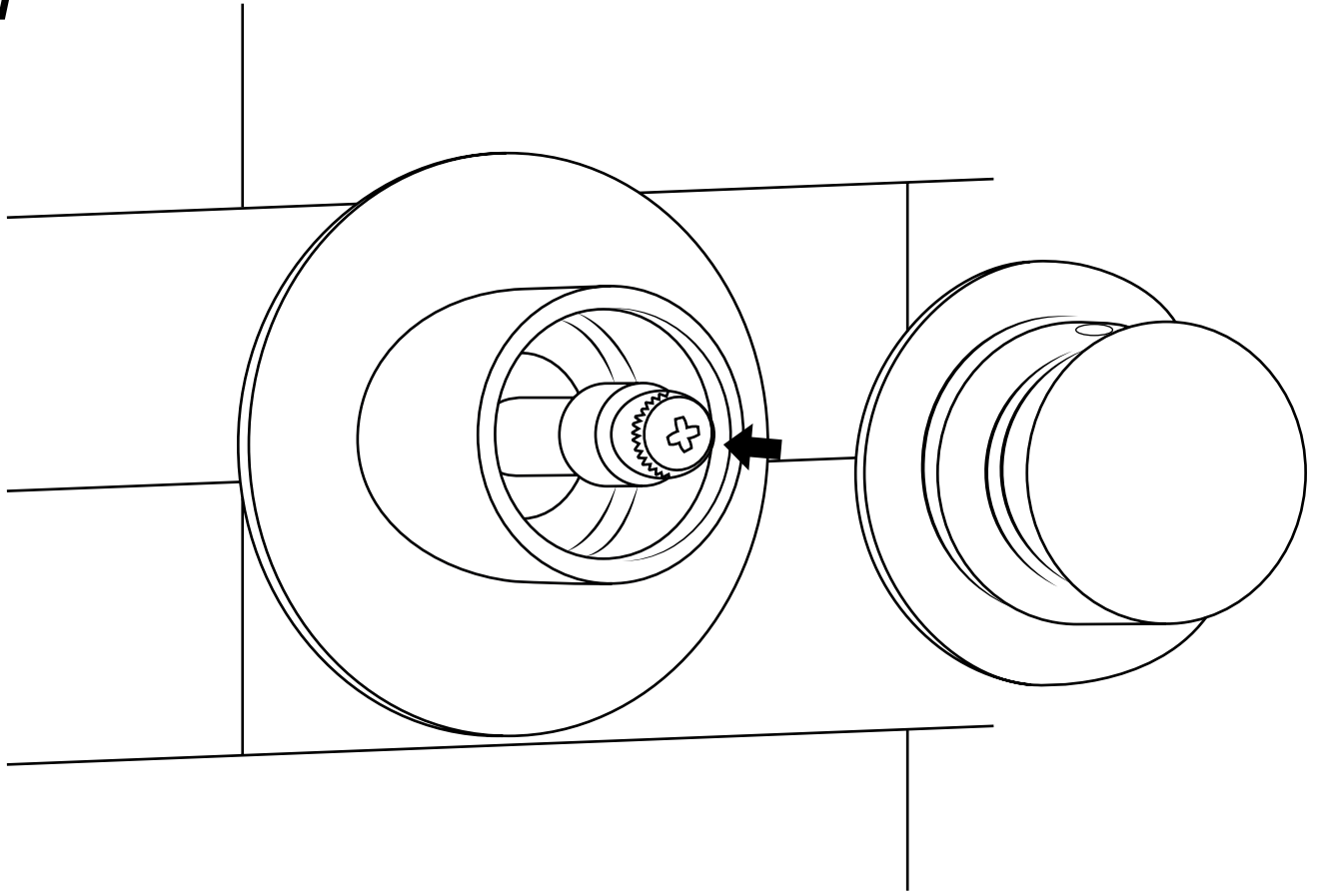


10

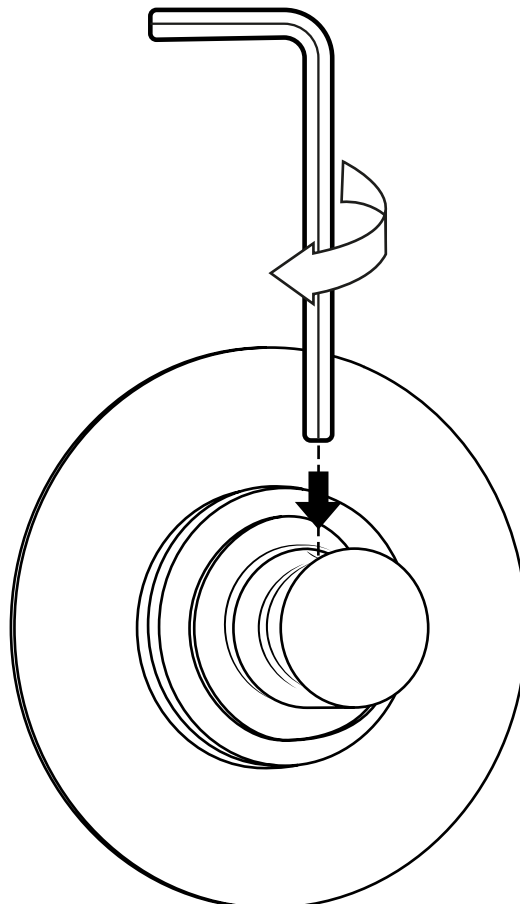


**i** Style may vary

11

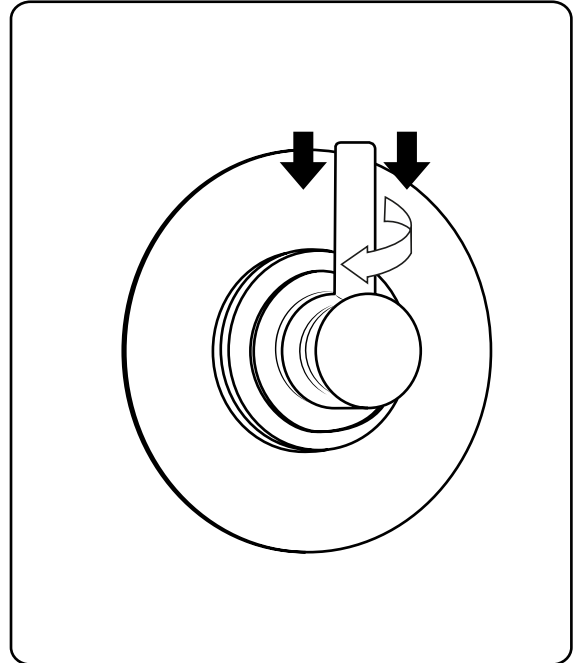
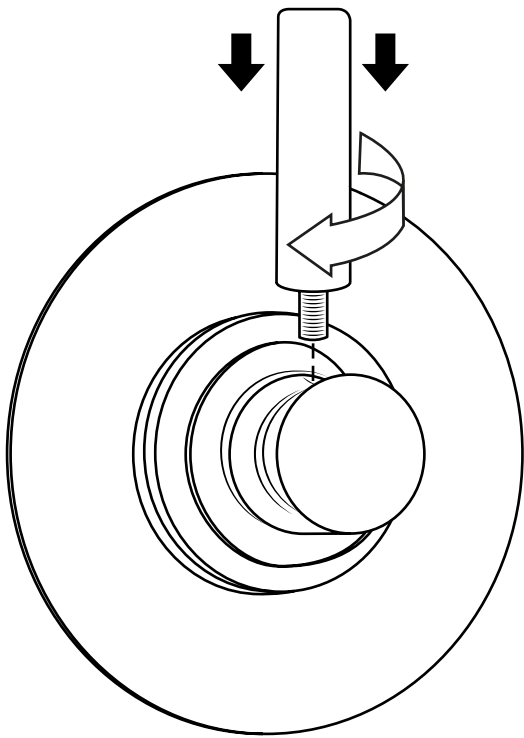


12

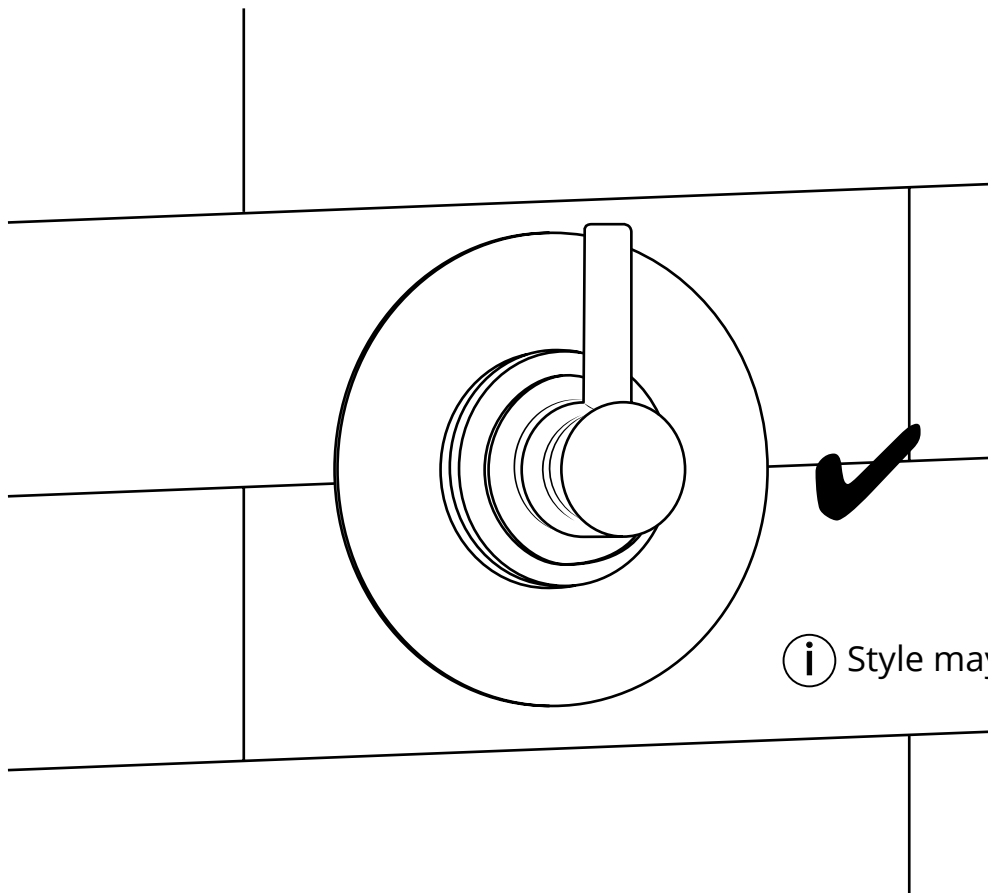




13



14



**i** Style may vary