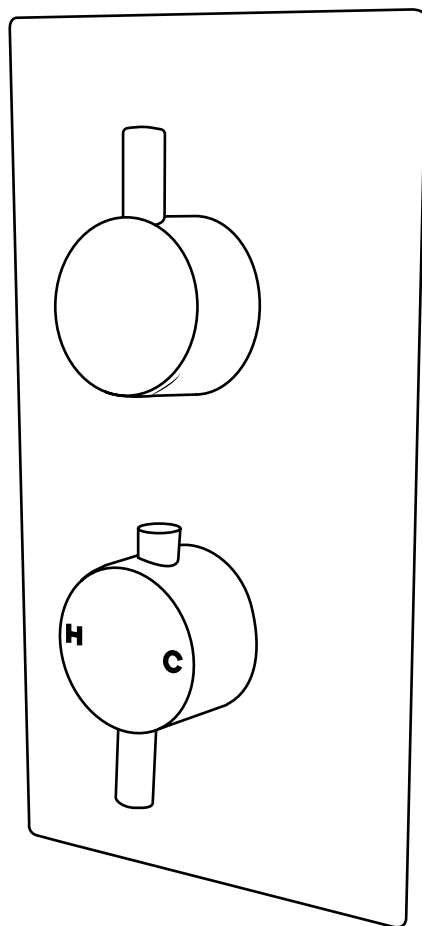


# Hudson Reed

Shower Valve



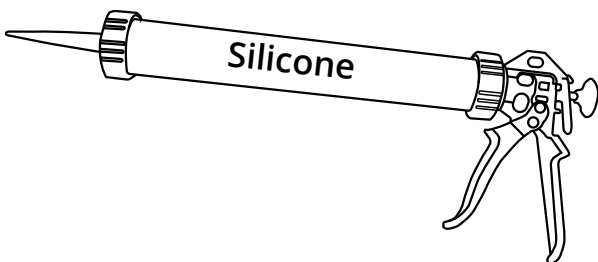
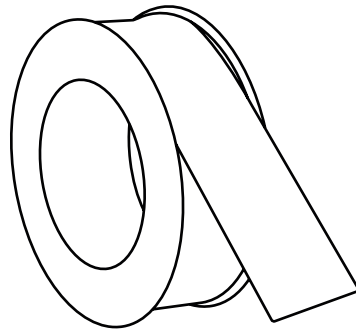
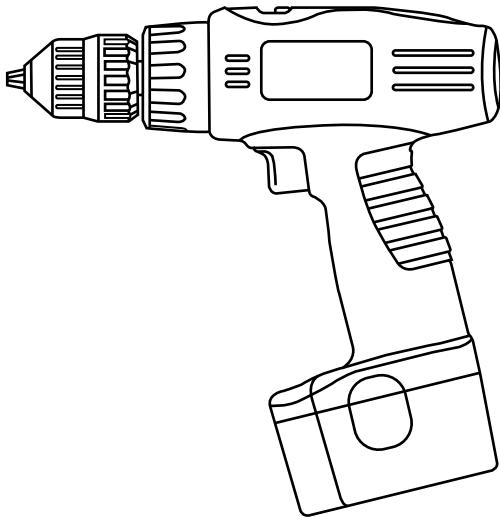
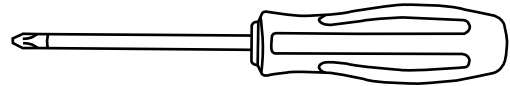
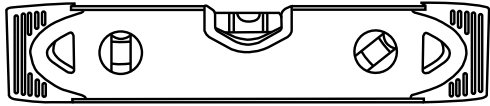
Installation Guide

Style may vary

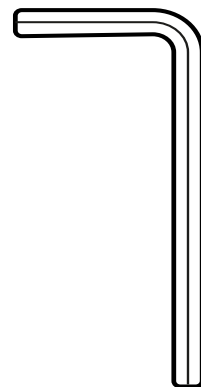
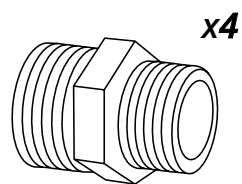
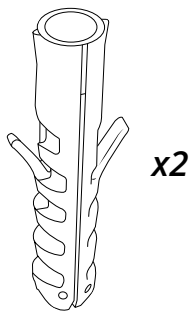
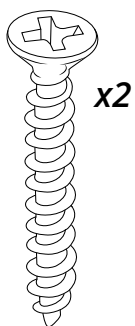
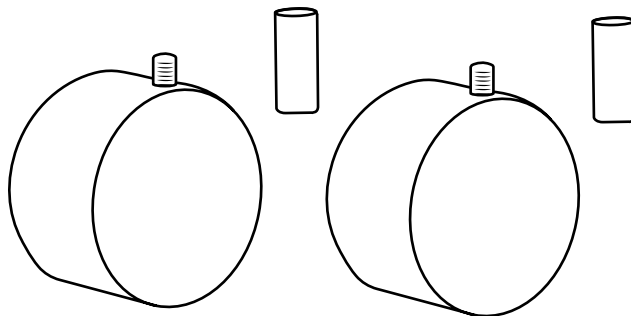
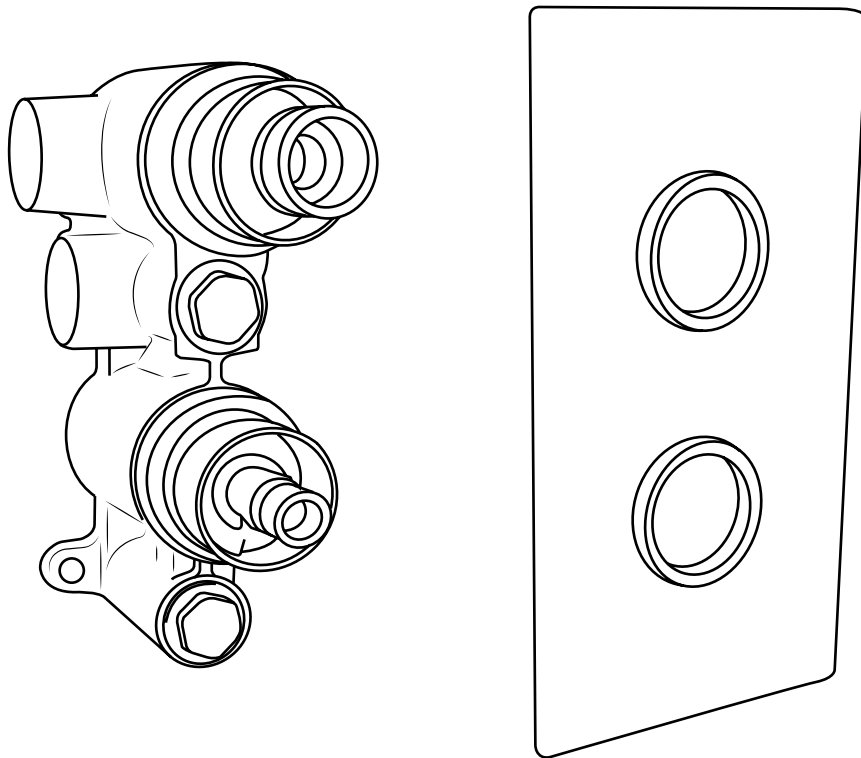
# Installation

---

## *Tools required for installing:*

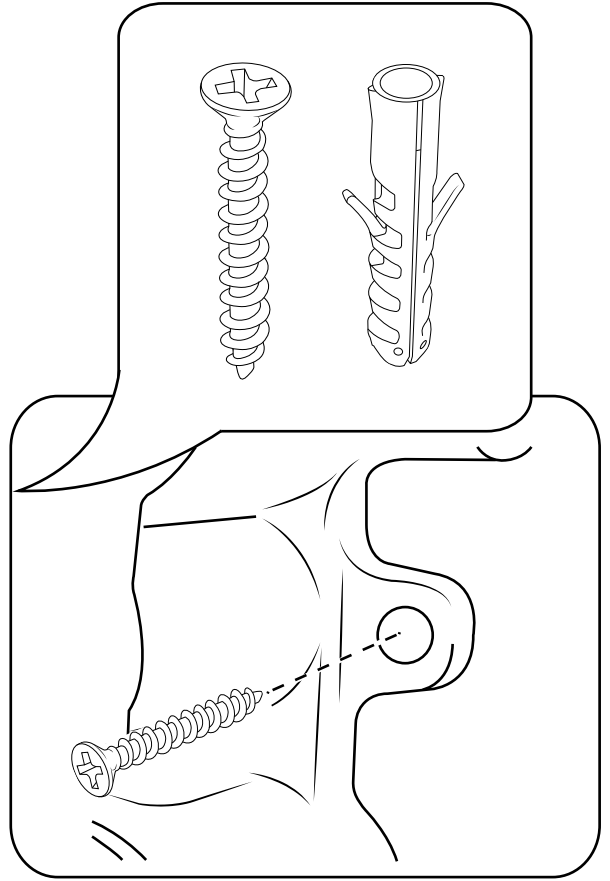
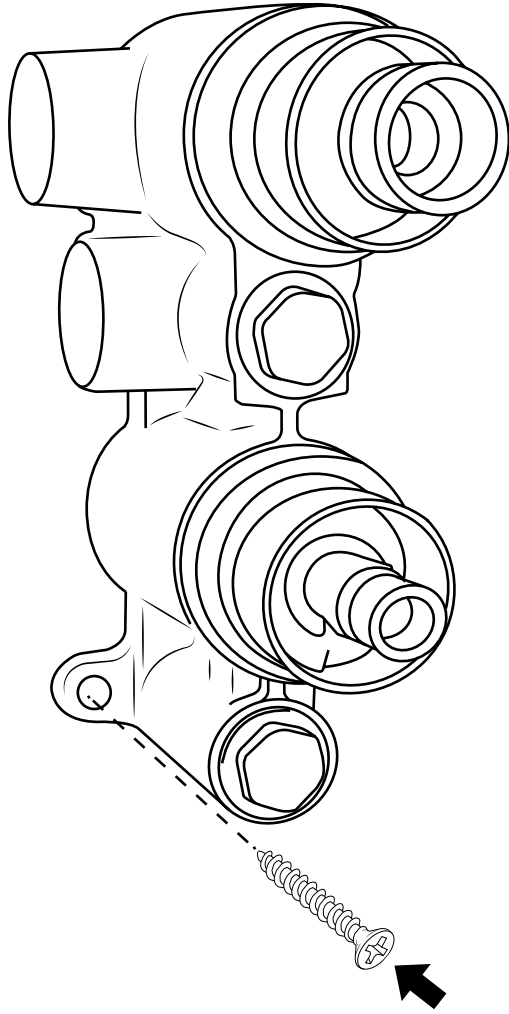


**Parts included:**

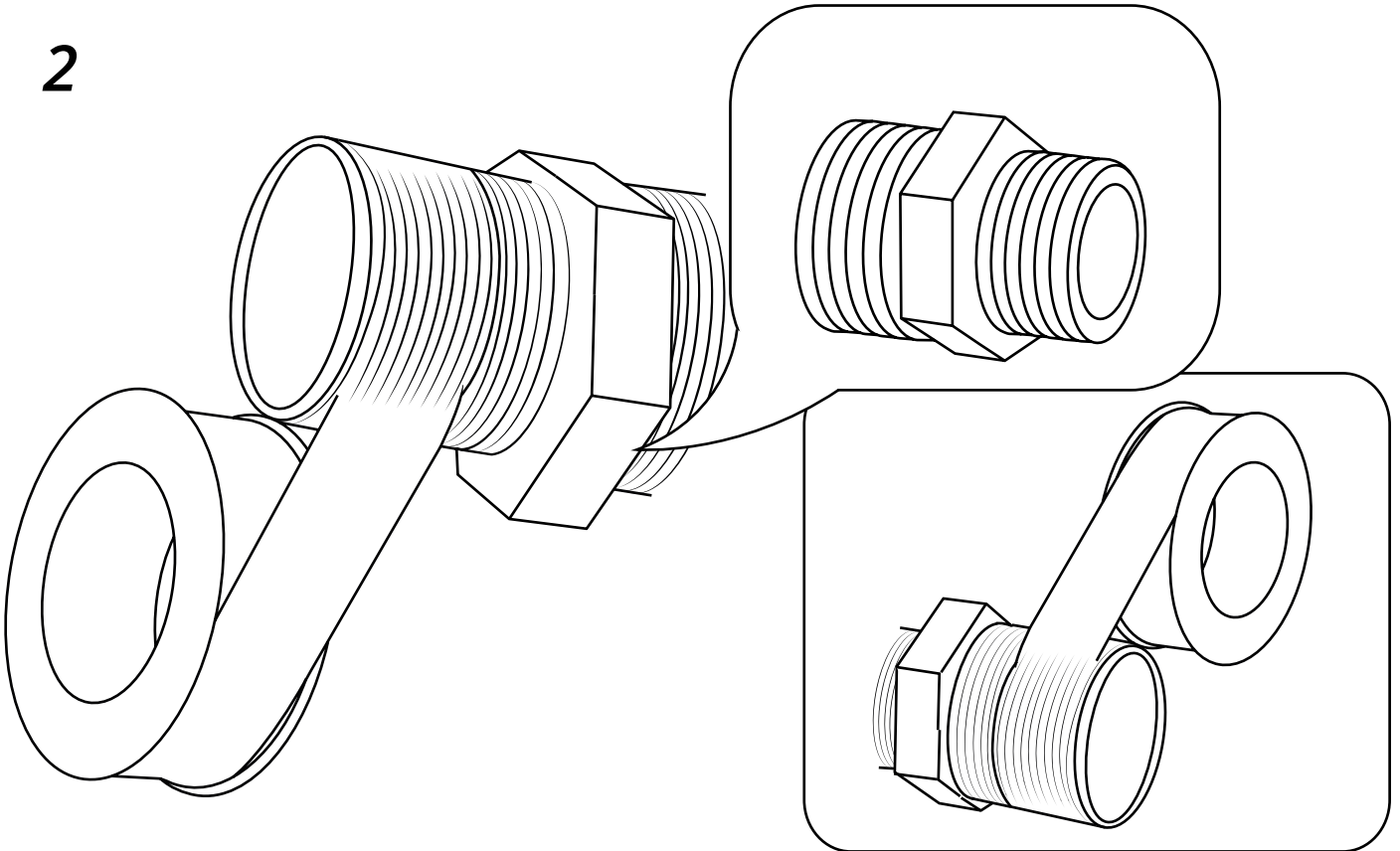


Style may vary

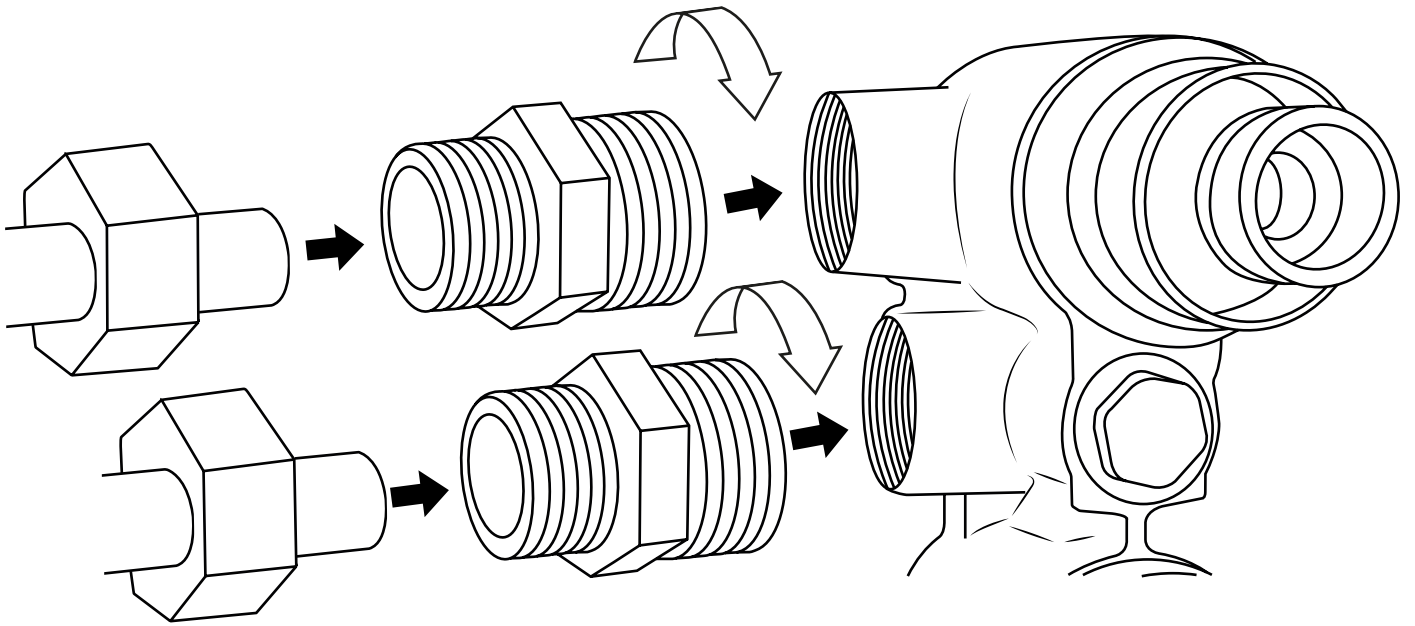
1



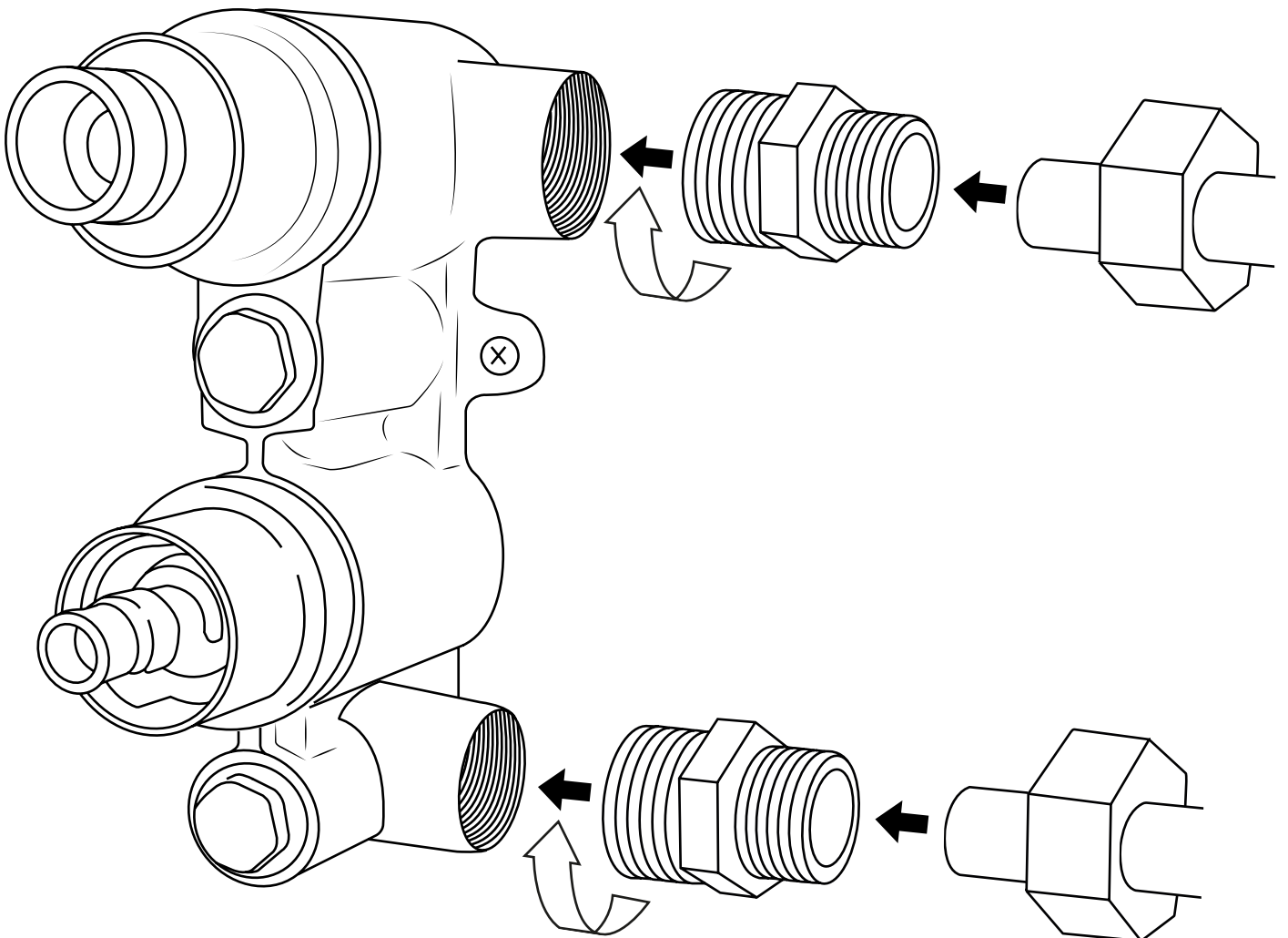
2



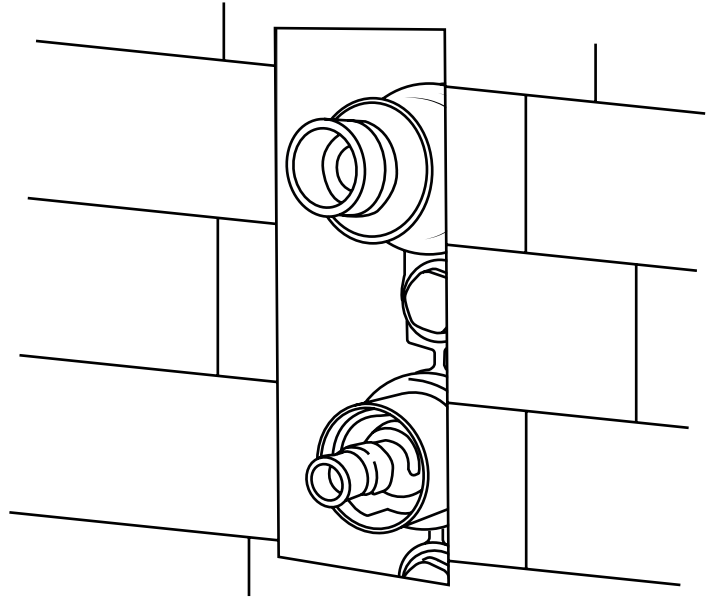
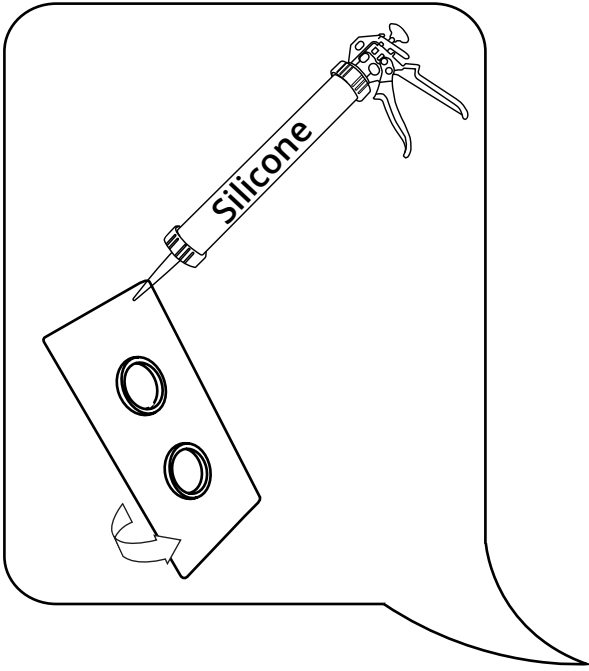
3



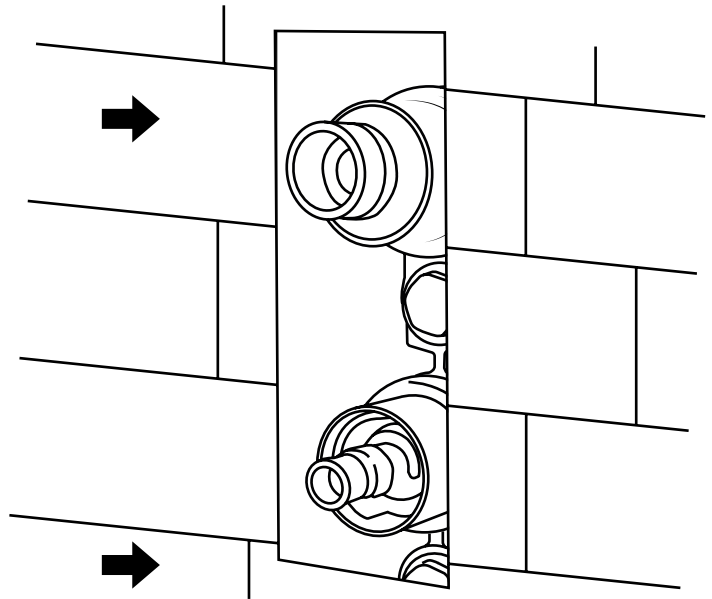
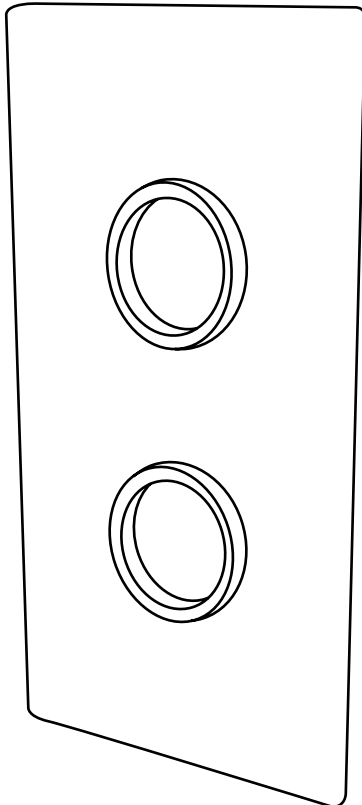
4



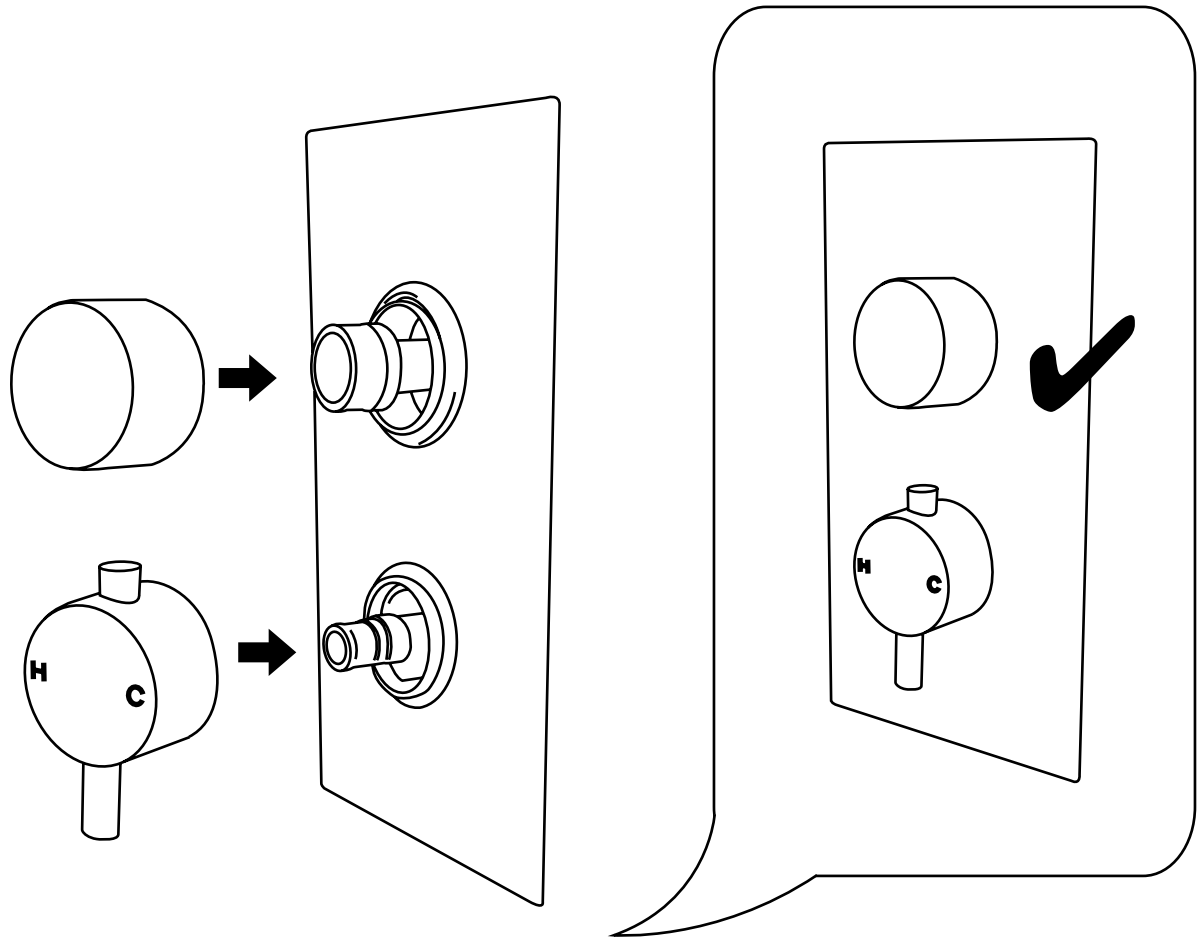
5



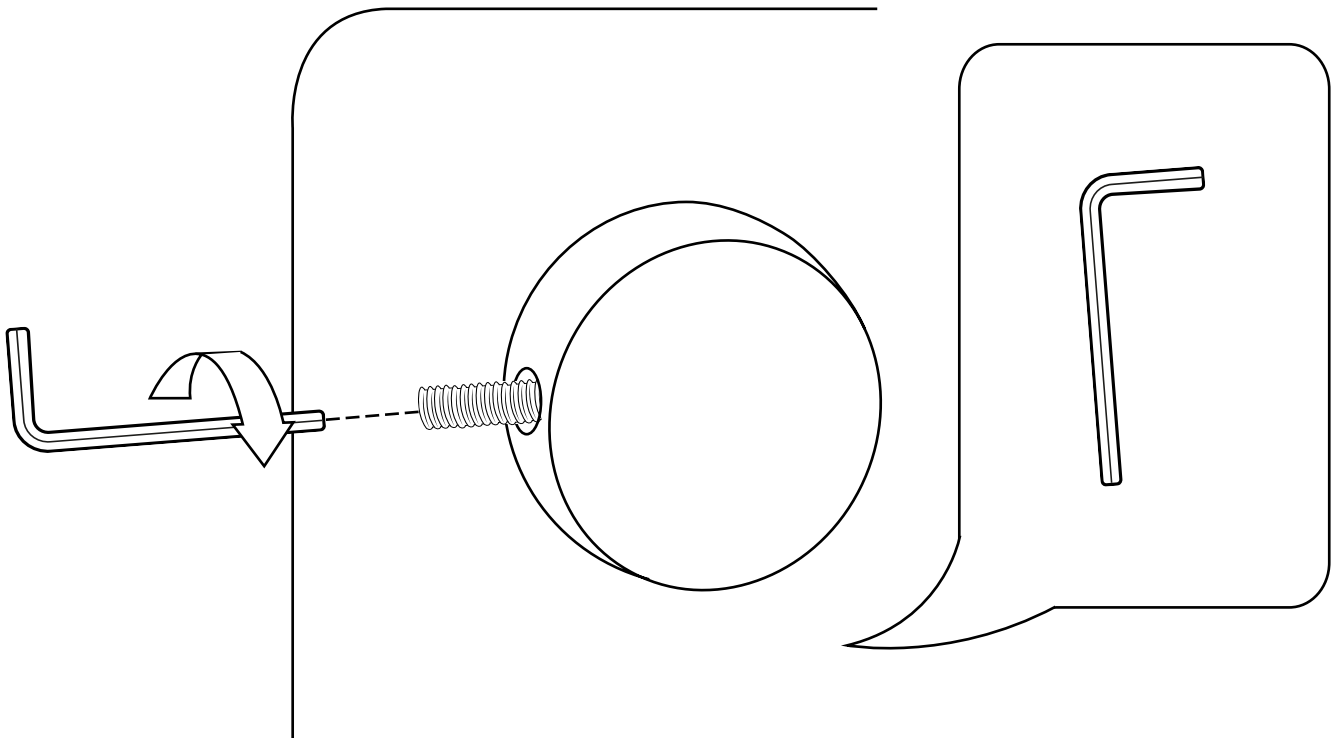
6



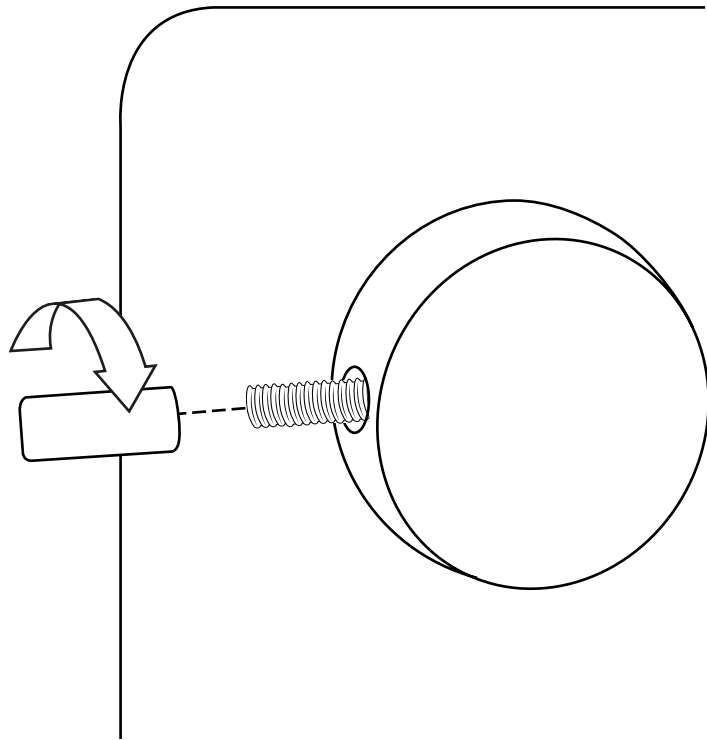
7



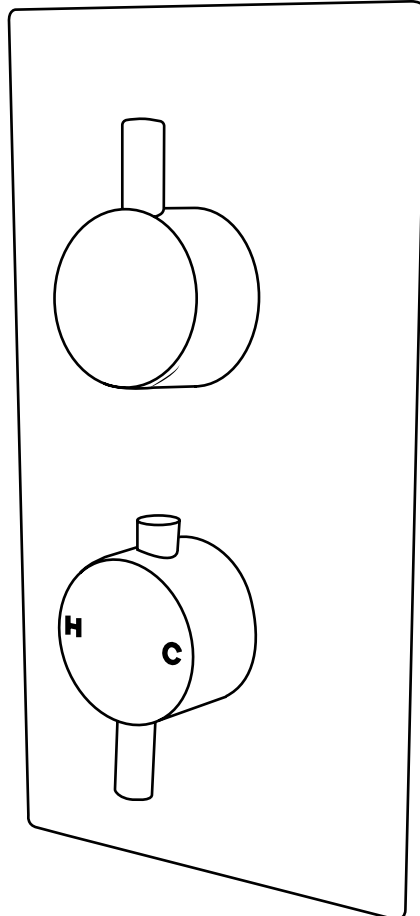
8



9



10



Style may vary



## Installation Example

