

Hudson Reed

Flow Diverter Installation

Installation Guide

Contents

Safety Information **Page - 2**

Installation **Page - 2**

3/4" Radiator Valve flow

Diverter **Page - 3**

15mm Spigot flow Diverter **Page - 4**

Warranty Information **Page - 5**

Recycling & Disposal **Page - 5**

Safety Information

Please read carefully...

- ✓ We recommend that this procedure is performed by a Plumber or other Suitably qualified person.
- ✓ Avoid inserting the flow diverter into the radiator before you are ready to install, this can damage the hood of the diverter.
- ✓ Not for use with column radiators.
- ✓ Not suitable for use with radiators that have an internal pipe size larger than 36mm.

Installation

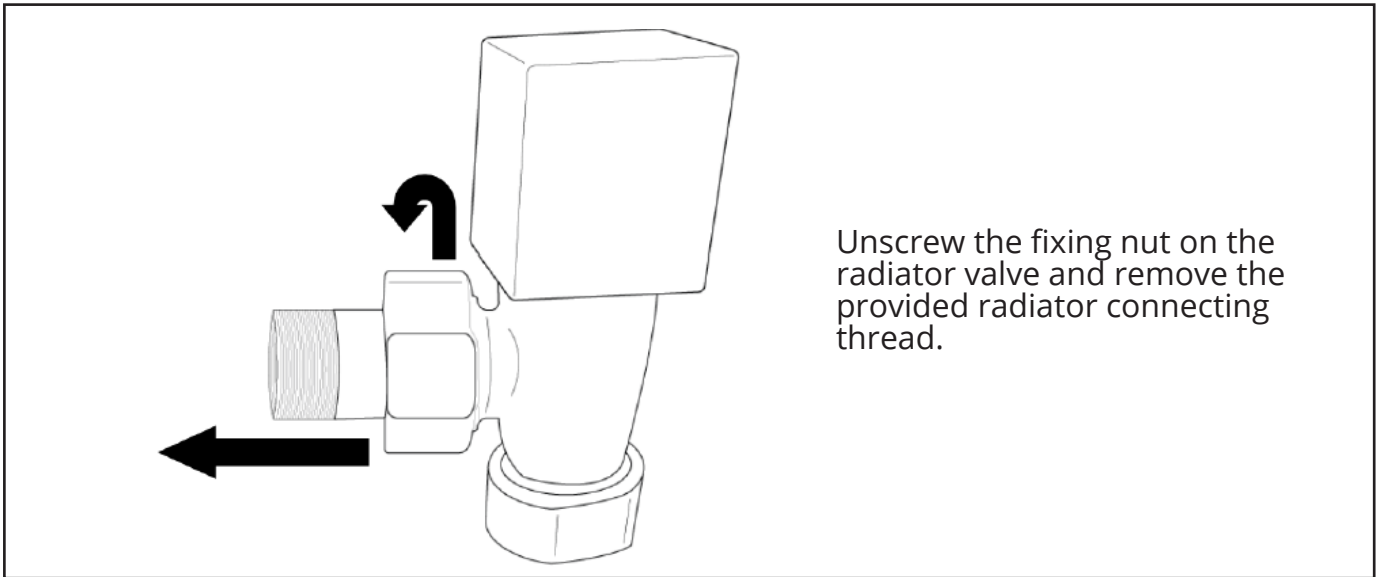
Parts needed:

Flow Diverter (either 3/4" Diverter or 15mm Spigot Diverter)

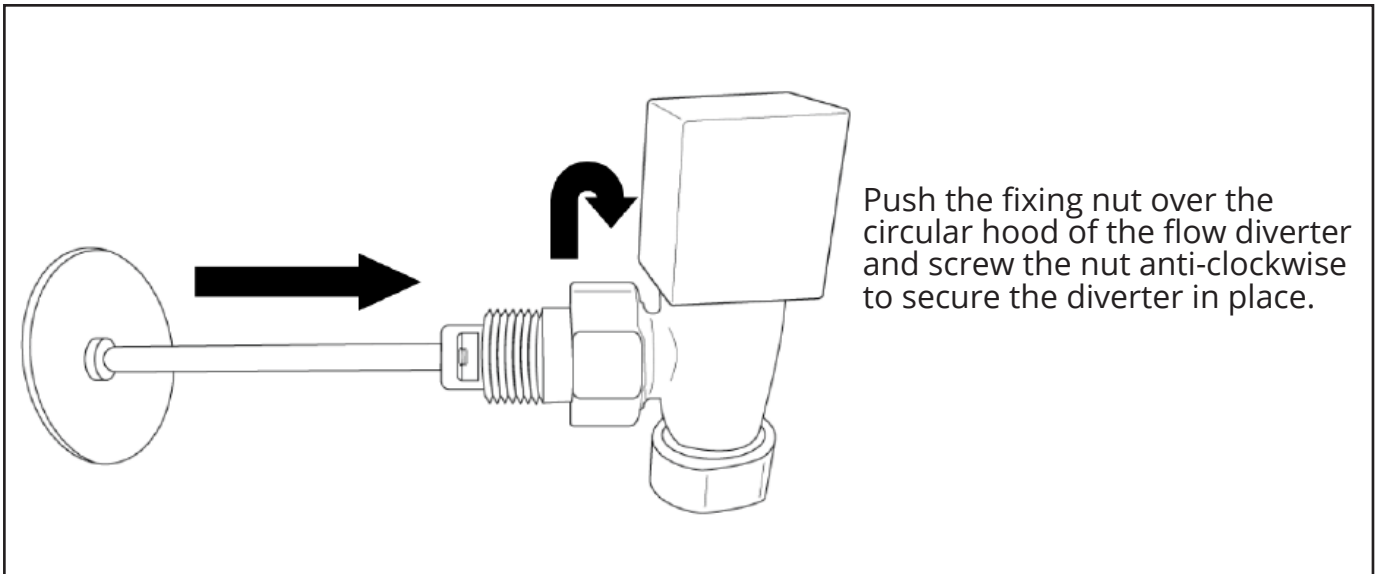
Tools required for installing:

Adjustable Spanner

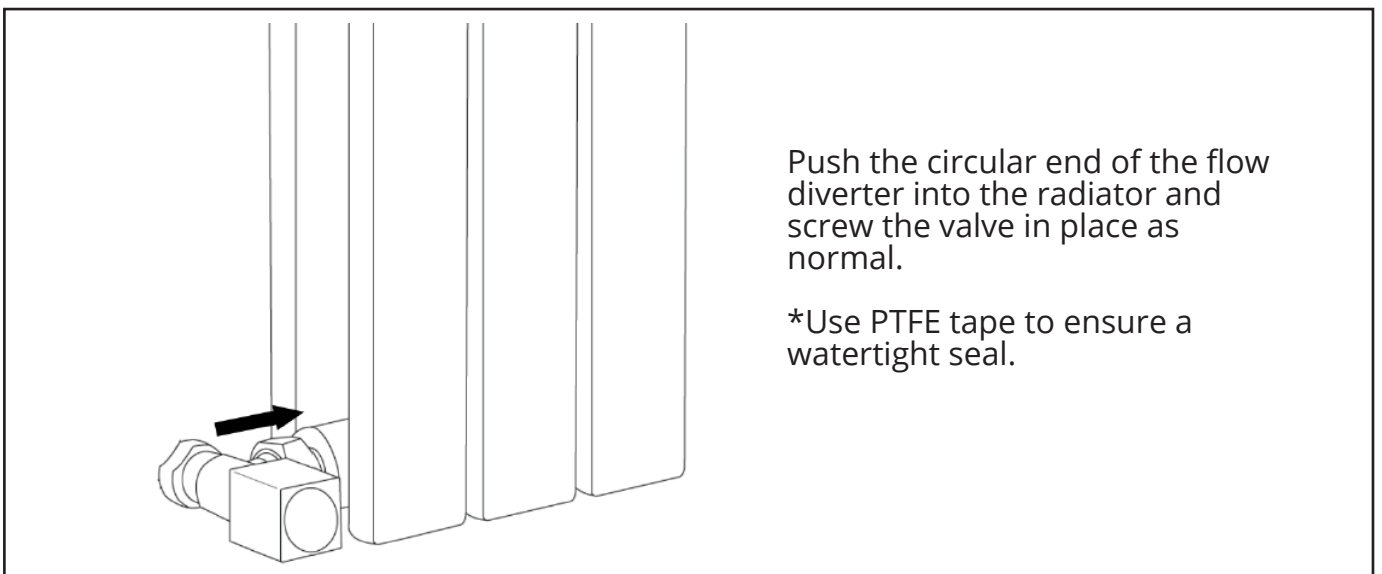
3/4" Radiator Valve flow Diverter



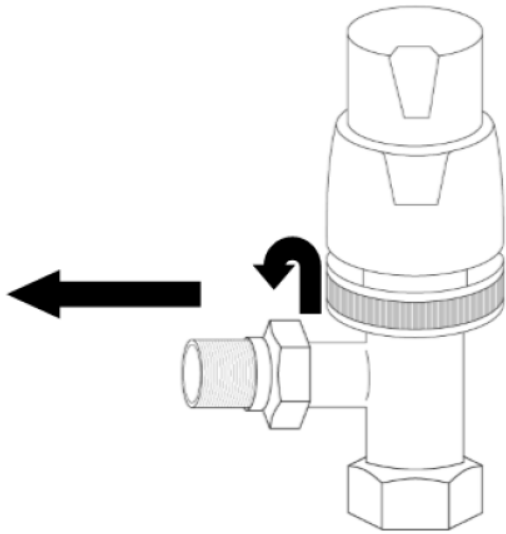
Unscrew the fixing nut on the radiator valve and remove the provided radiator connecting thread.



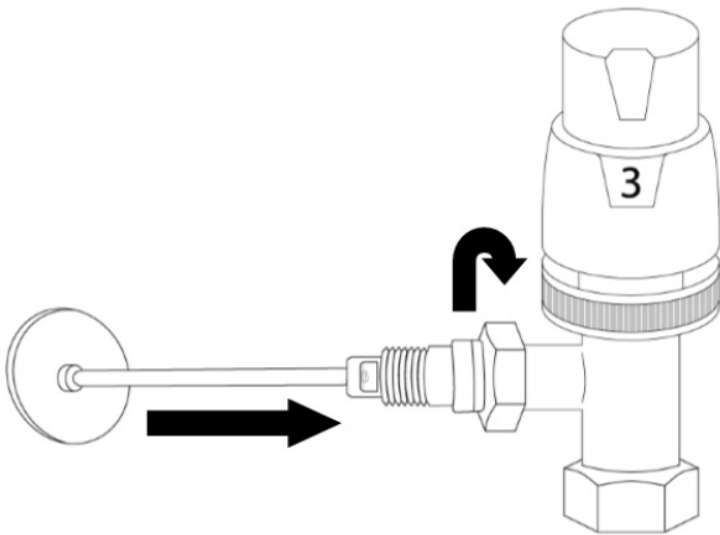
Push the fixing nut over the circular hood of the flow diverter and screw the nut anti-clockwise to secure the diverter in place.



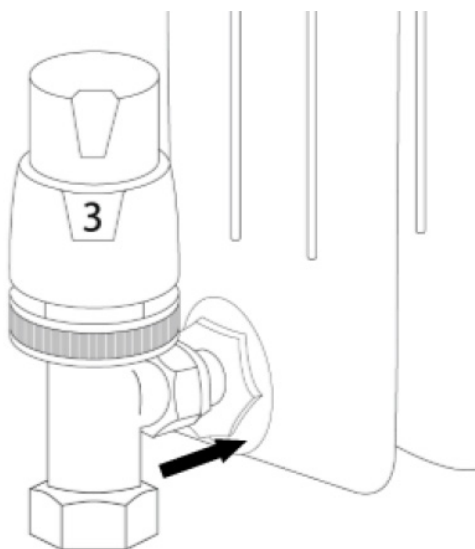
15mm Spigot flow Diverter



Unscrew the Compression nut and olive on the radiator valve and remove the provided radiator connecting spigot.



Push the compression nut and olive over the circular hood of the flow diverter and screw the nut anti-clockwise to secure the diverter in place.



Push the circular end of the flow diverter into the radiator and screw the valve in place as normal.

*Use PTFE tape to ensure a watertight seal.

Warranty Information

- *This product is covered by a 10 year guarantee.*
- *The guarantee starts from the date of purchase.*
- *The guarantee covers you against issues caused as a result of manufacturing related issues, it does not apply to issues that are found to be a result of poor installation.*
- *Labour costs for installation of the product are not covered under this warranty.*

Aftercare

Clean any marks with a soft dry cloth, for stubborn stains please clean with mild soapy water and buff out with a soft cloth.

DO NOT use abrasive or acidic cleaners, if you are unsure, please contact us first.

Recycling & Disposal

Please recycle / dispose of this product in accordance with your local council / government guidelines.

Contact Us

HUDSON REED

Unit 1&2

Burnley

BB11 5UB

TEL:

(FR) 0044 1282 471591 (DE) 0044 1282 477975

(ES) 0044 1282 477974 (IT) 0044 1282 477973

(NL) 0044 1282 471396 (FR/CA) 00441282 477980

(CA/USA) 0044 1282 477980