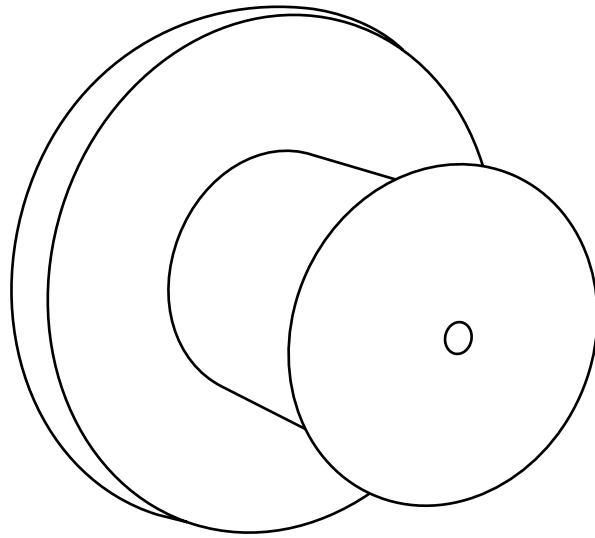


# Hudson Reed

Mist Body Jet

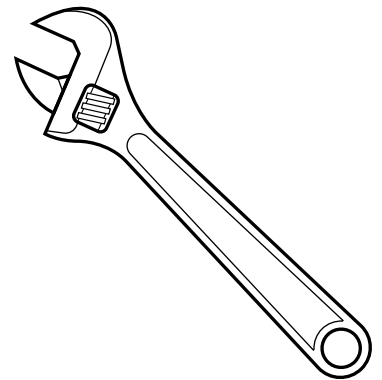
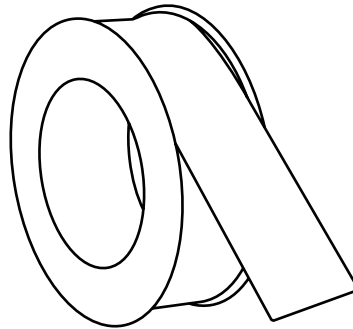
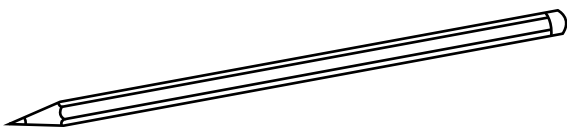
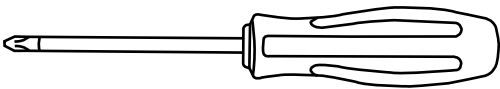
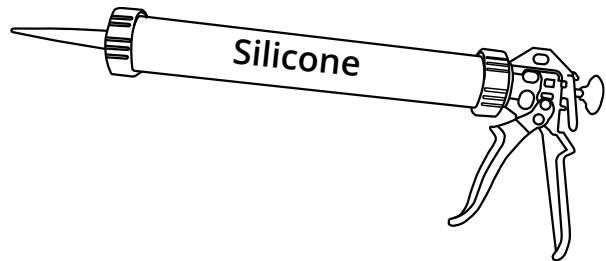
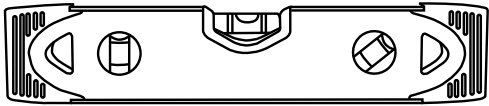


Installation Guide

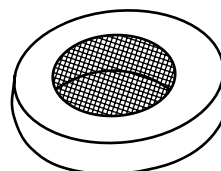
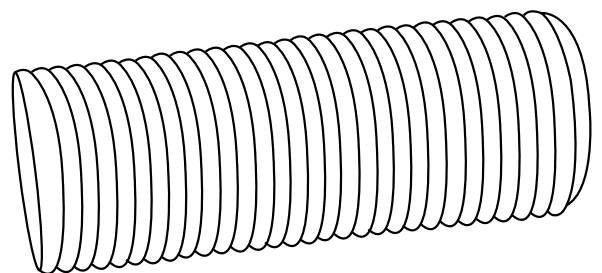
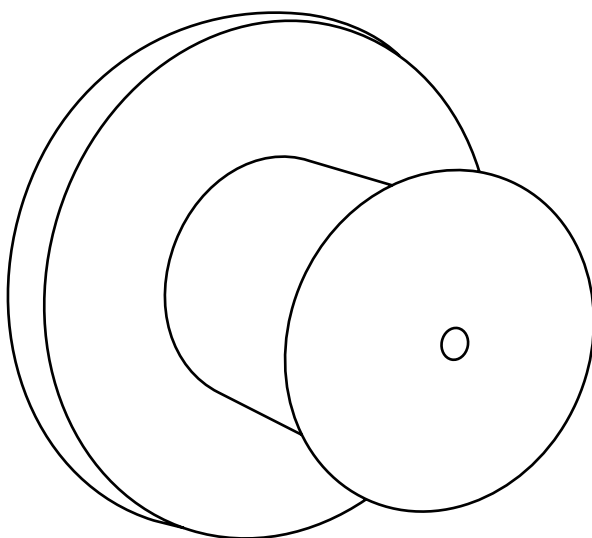
# Installation

---

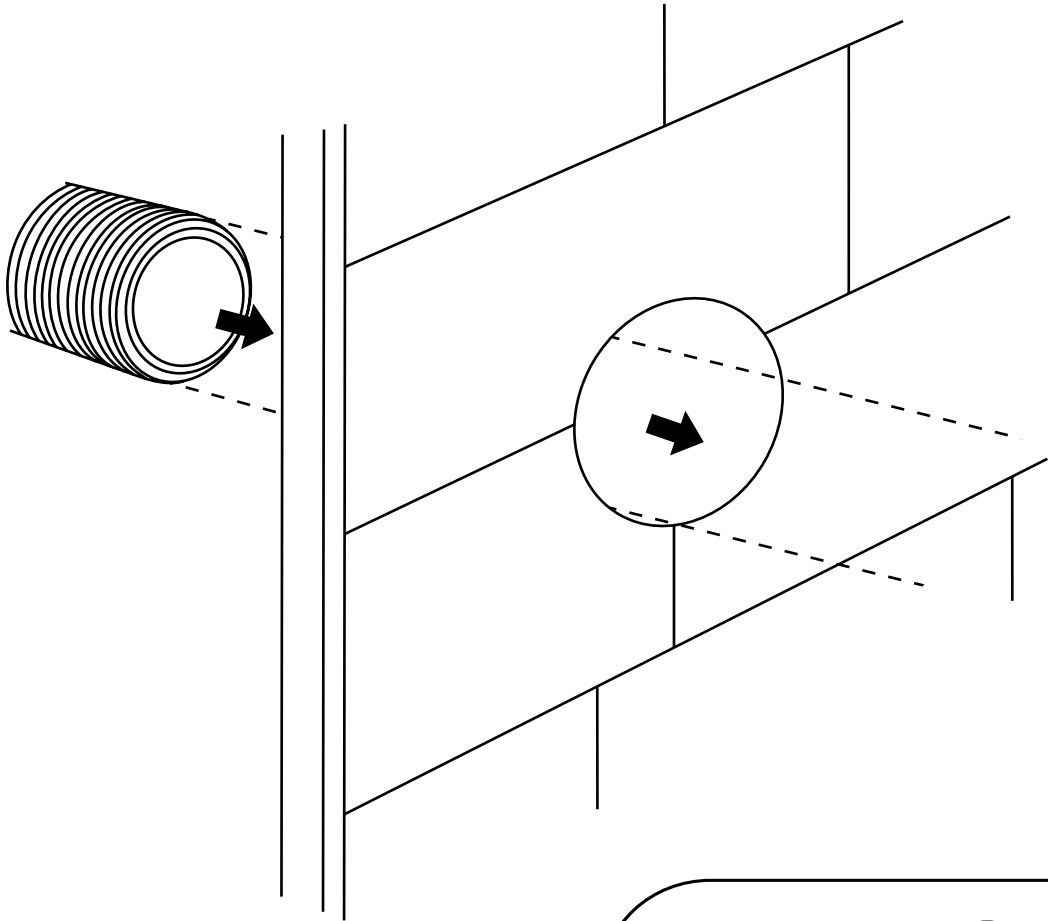
## *Tools required for installing:*



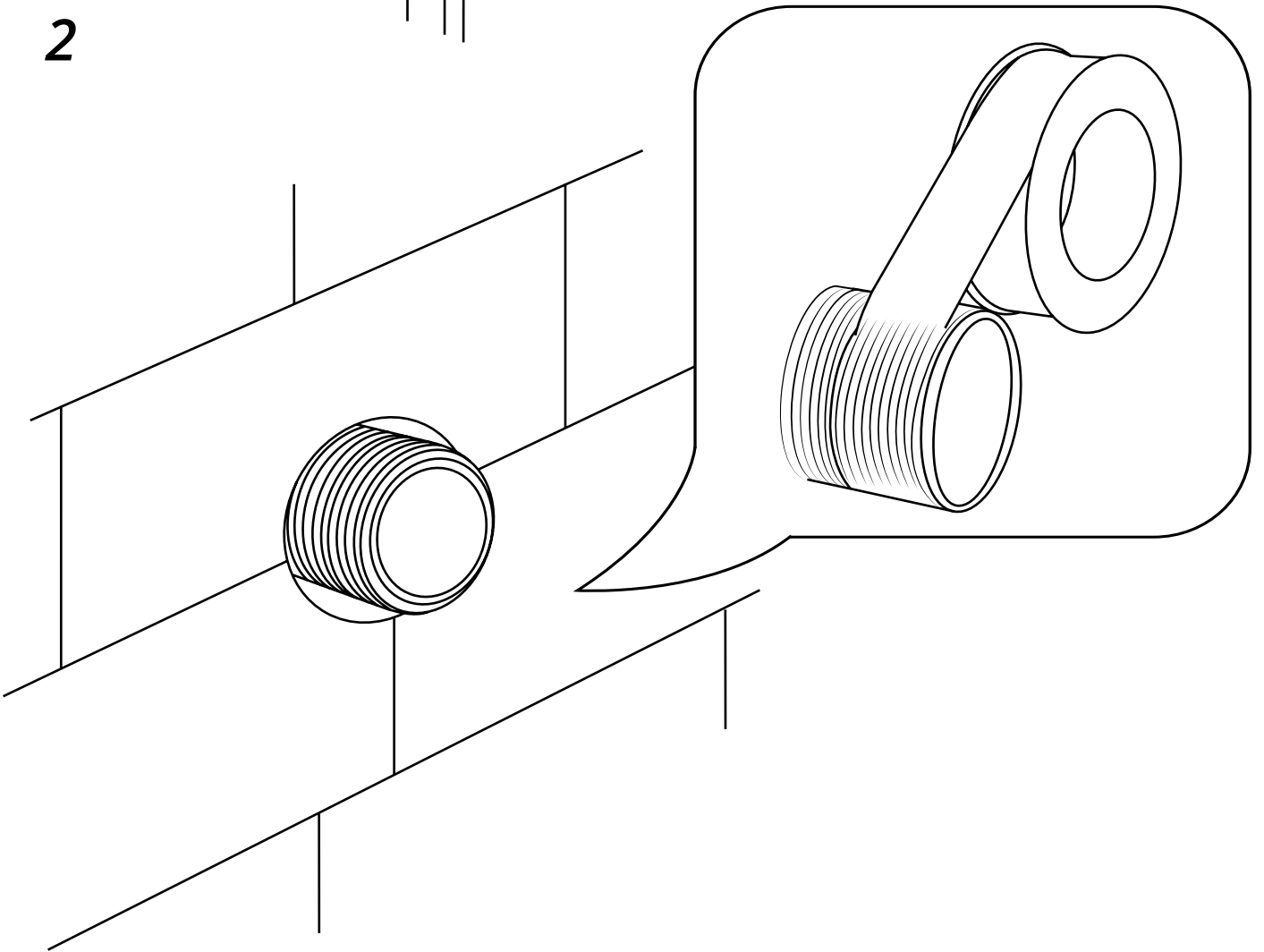
## *Parts included:*



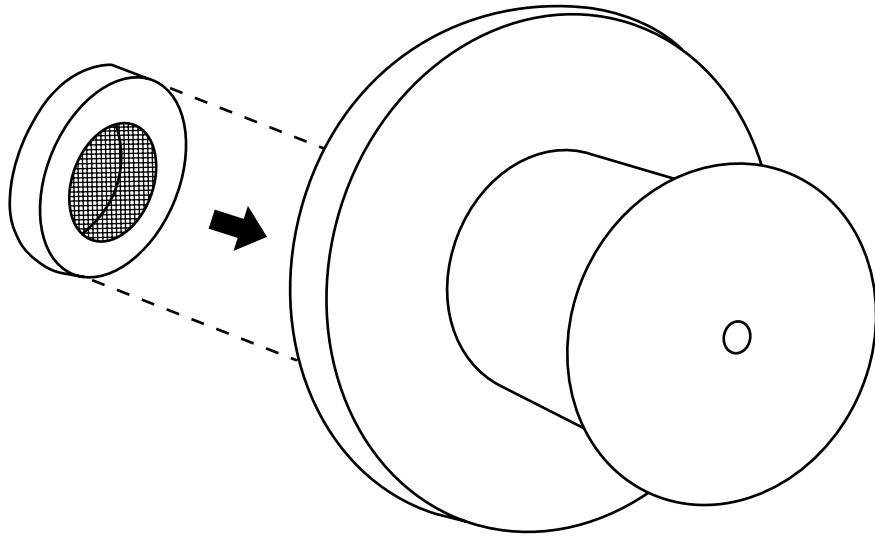
1



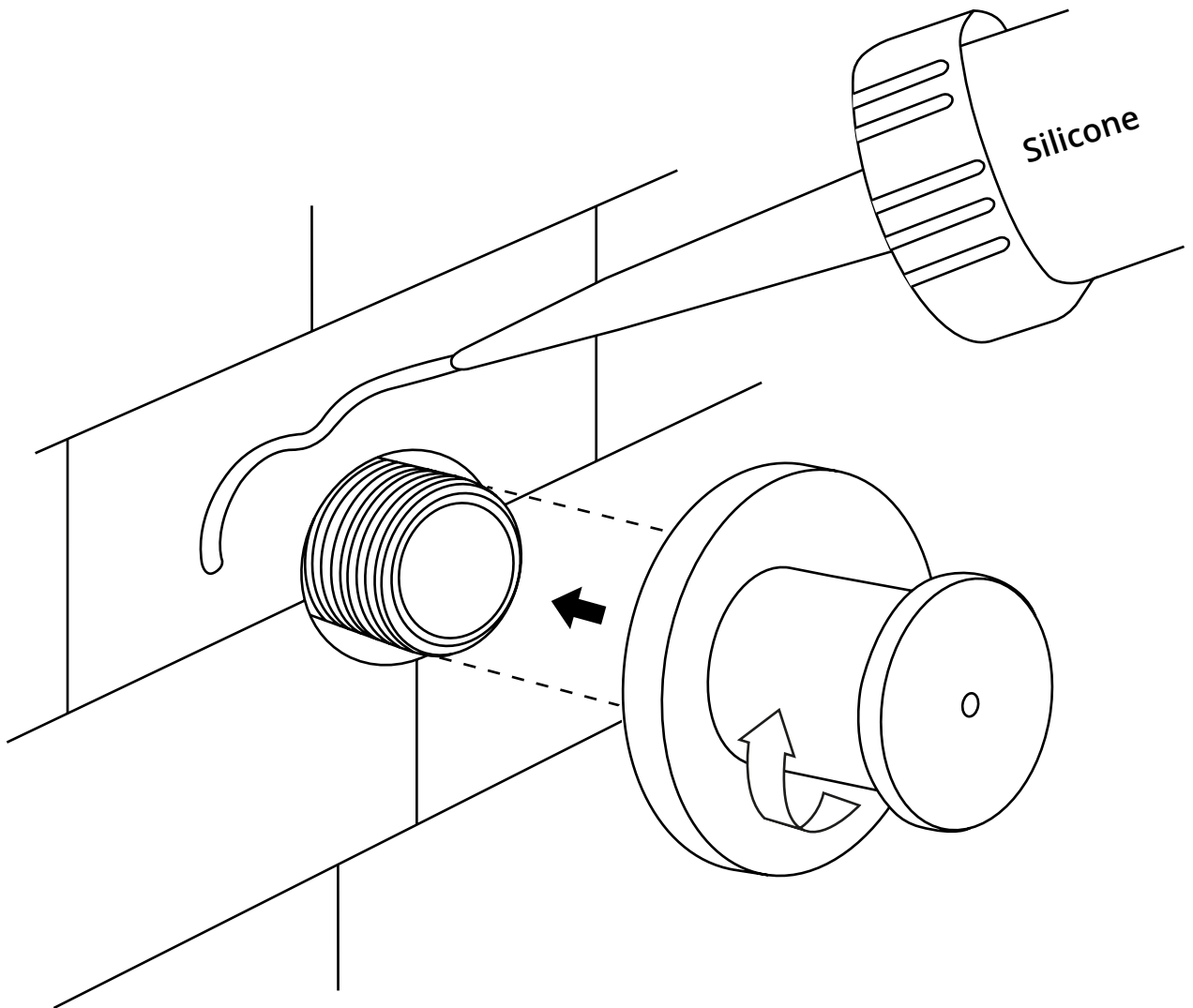
2



3



4



---

5

