

Angled Manual Valves

Installation Guide

Contents

Safety Information **Page - 2**

Tools required for installing **Page - 2**

Parts included **Page - 2**

Temperature Settings **Page - 2**

Installation **Page - 3**

Warranty Information **Page - 4**

Recycling & Disposal **Page - 4**

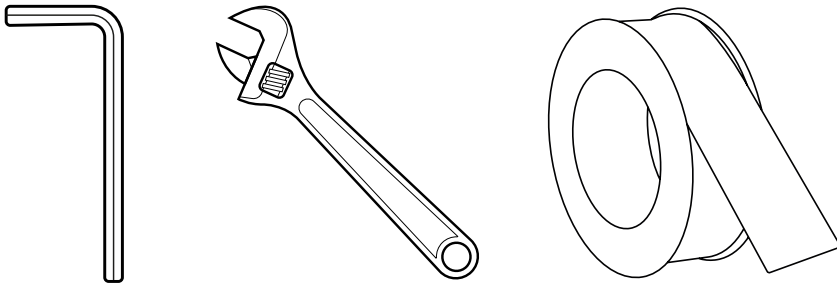
Safety Information

Please read carefully...

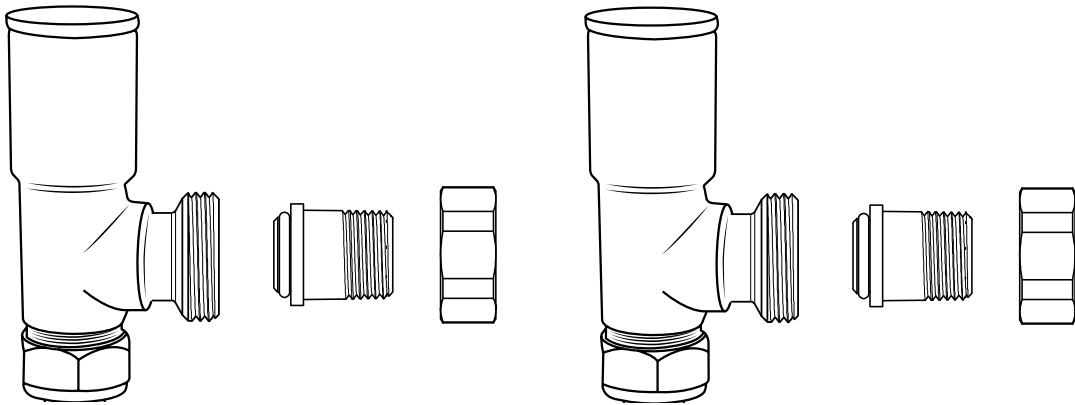
- ✓ Check the product for defects before installing.
- ✗ DO NOT attempt to modify this product in any way.
- ✓ If you are unsure how to install this product, please consult a qualified installer or contact us directly.

Installation

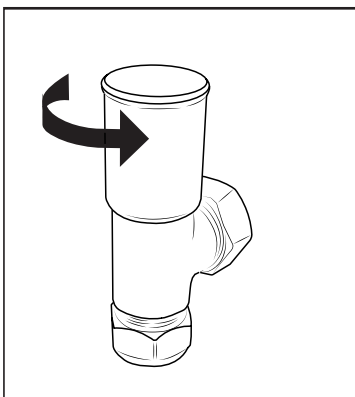
Tools required for installing:

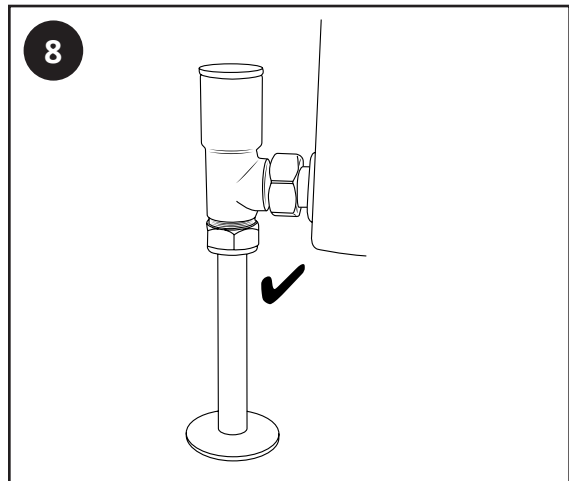
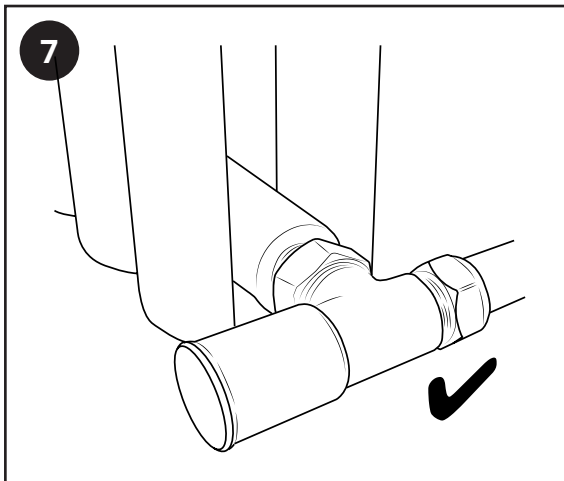
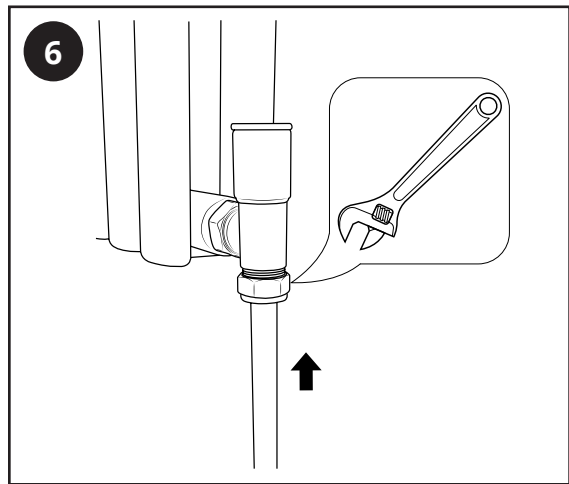
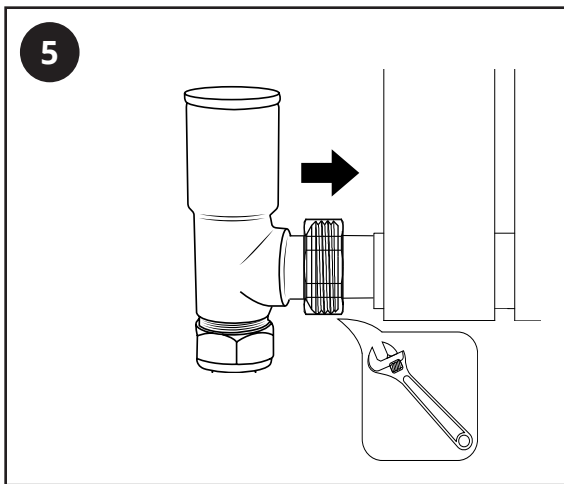
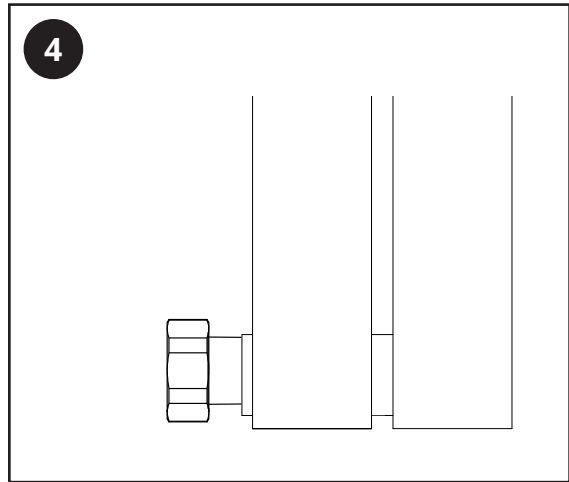
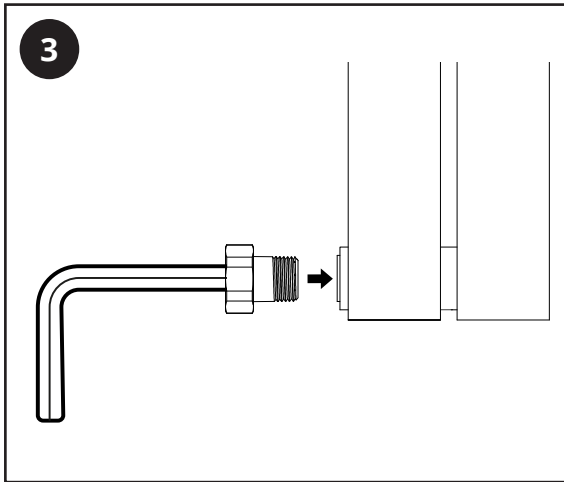
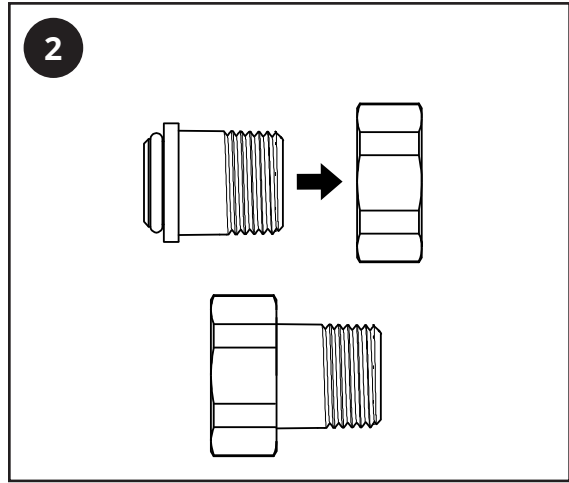
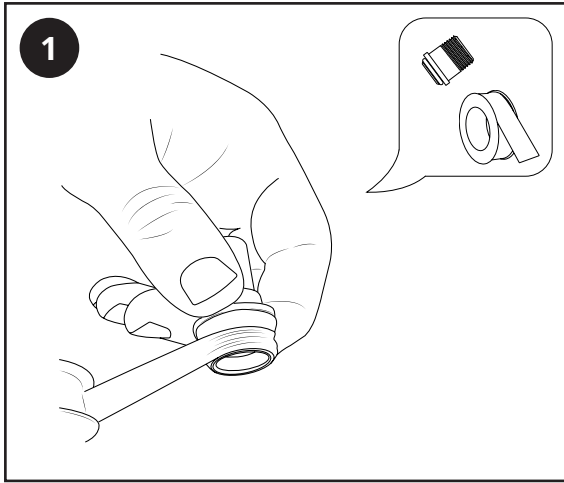


Parts included: Valve Design May Vary



On/Off:





Warranty Information

- This product is covered by a 2 year guarantee.
- The guarantee starts from the date of purchase.
- The guarantee covers you against issues caused as a result of manufacturing related issues, it does not apply to issues that are found to be a result of poor installation.
- Labour costs for installation of the product are not covered under this warranty.

Aftercare

Clean any marks with a soft dry cloth, for stubborn stains please clean with mild soapy water and buff out with a soft cloth.

DO NOT use abrasive or acidic cleaners, if you are unsure, please contact us first.

Recycling & Disposal

Please recycle / dispose of this product in accordance with your local council / government guidelines.
