

Hudson Reed

Marquis Radiator

Installation Guide

Contents

Product Information **Page - 2**

General Information **Page - 2**

Installation **Page - 3**

Aftercare **Page - 4**

Your Guarantee **Page - 4**

Product Information

• *This product can only be used at PN 1MPa (10g/cm², 10 Bar, 145 PSI). It should only be filled with water/Glycol, and at a temperature below 100 °C (212°F). See table below for installation requirements.*

• *If the temperature exceeds 48 °C (or 120 °F), please show a warning sign near the product to avoid burning and scolding accidents.*

• *This Product is only suitable for use on indirect or sealed central heating systems including combination boilers.*

To ensure that our products provide you with the service that we expect, it is important that they are installed to your local code of practice for Central Heating for Domestic Premises

To ensure you can enjoy your radiator for as long as possible, it is essential you first **FLUSH YOUR HEATING SYSTEM WITH A CENTRAL HEATING CLEANSER**, this will clear any waste from the system. Following the cleansing of the system you must **PROTECT THE SYSTEM WITH A CENTRAL HEATING INHIBITOR**. These two simple steps will greatly increase the efficiency and lifespan of your central heating system. Failure to complete these steps increases the chance of pinhole leaks, and will also invalidate the guarantee on your radiator.

For further information on installing your radiator valves/electric element, please consult the instructions provided with them.

General Information

Please read carefully...

- X** Do not throw away packaging until you have located and confirmed that you have all included parts. This
- ✓** radiator must be installed by a qualified plumber or other fully competent person.
- ✓** For your own protection we recommend that you wear safety boots and gloves.
- ✓** Inspect the finish on the product for signs of damage before installation.
- ✓** The provided fixings are for solid brick walls only, if installing on any other surface please check that it will safely support the product and purchase suitable fixings.



Installation

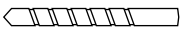
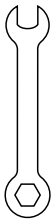
Parts Included:

Wall fixings

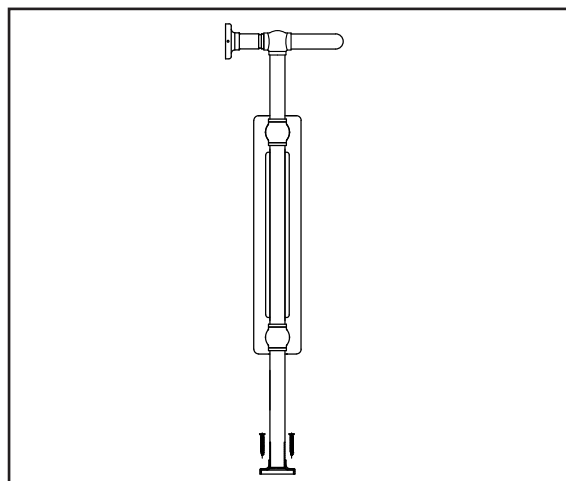
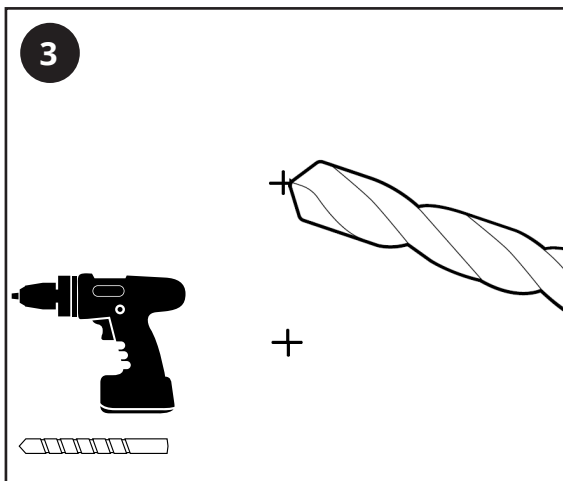
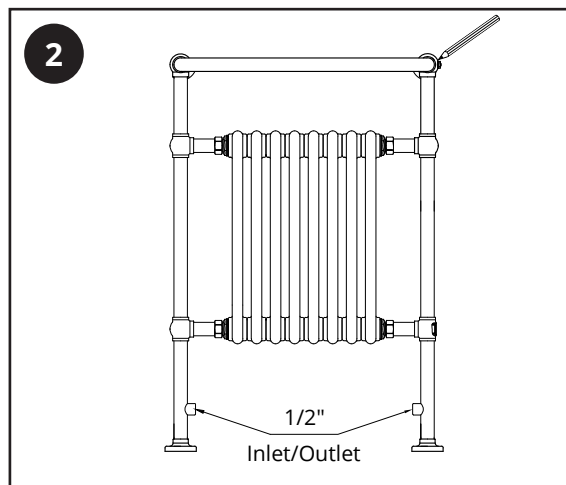
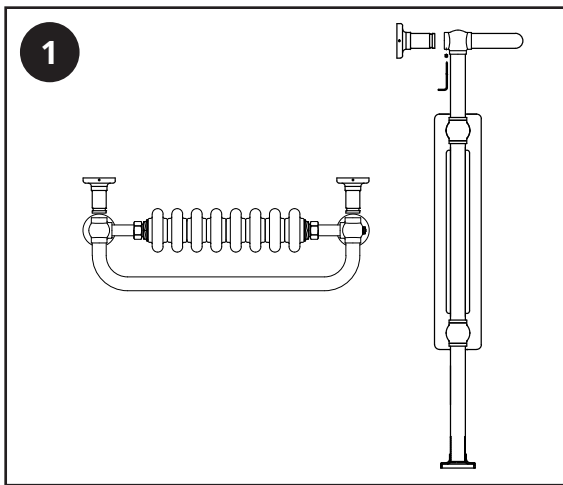
Wall Plugs

Blanking & Bleed Plugs

Tools required for installing:



10mm



Aftercare

Clean any marks with a soft dry cloth, for stubborn stains please clean with mild soapy water and buff out with a soft cloth. DO NOT use abrasive or acidic cleaners, if you are unsure, please contact us first.

Your Guarantee

- This product is covered by a 10 year guarantee.
- The guarantee starts from the date of purchase.
- The guarantee covers you against issues caused as a result of manufacturing related issues, it does not apply to issues that are found to be a result of poor installation.
- Labor costs for installation of the product are not covered and the guarantee does not cover you for consequential loss.

Recycling and Disposal

Please recycle the packaging in accordance with your local government regulations on waste handling, and follow the same advice at the end of the products life.

Product - Steel.

Packaging - Cardboard, plastic, steel.

Contact us

Hudson Reed

Unit 1&2 Dawson Ct

Burnley

BB11 5UG

UK