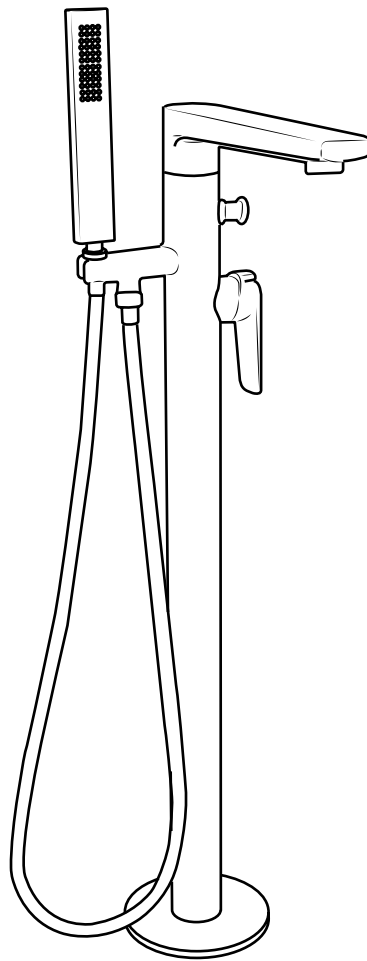



# Hudson Reed

## Freestanding Tub Shower Mixer



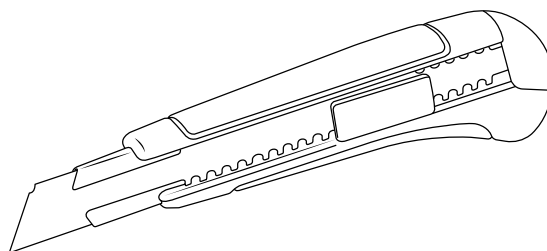
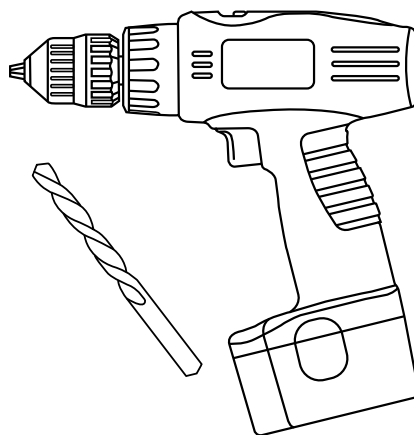
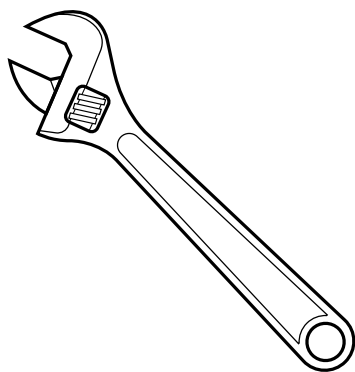
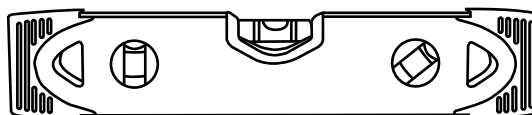
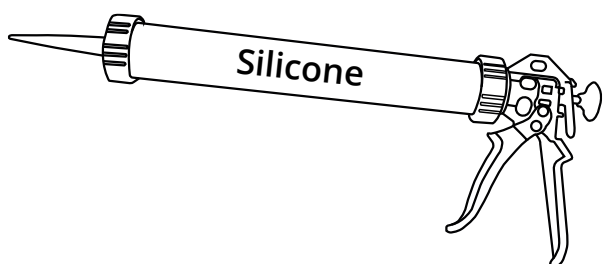
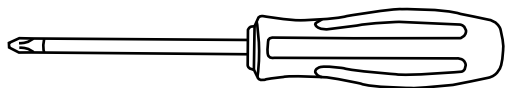
 Style may vary

Installation Guide

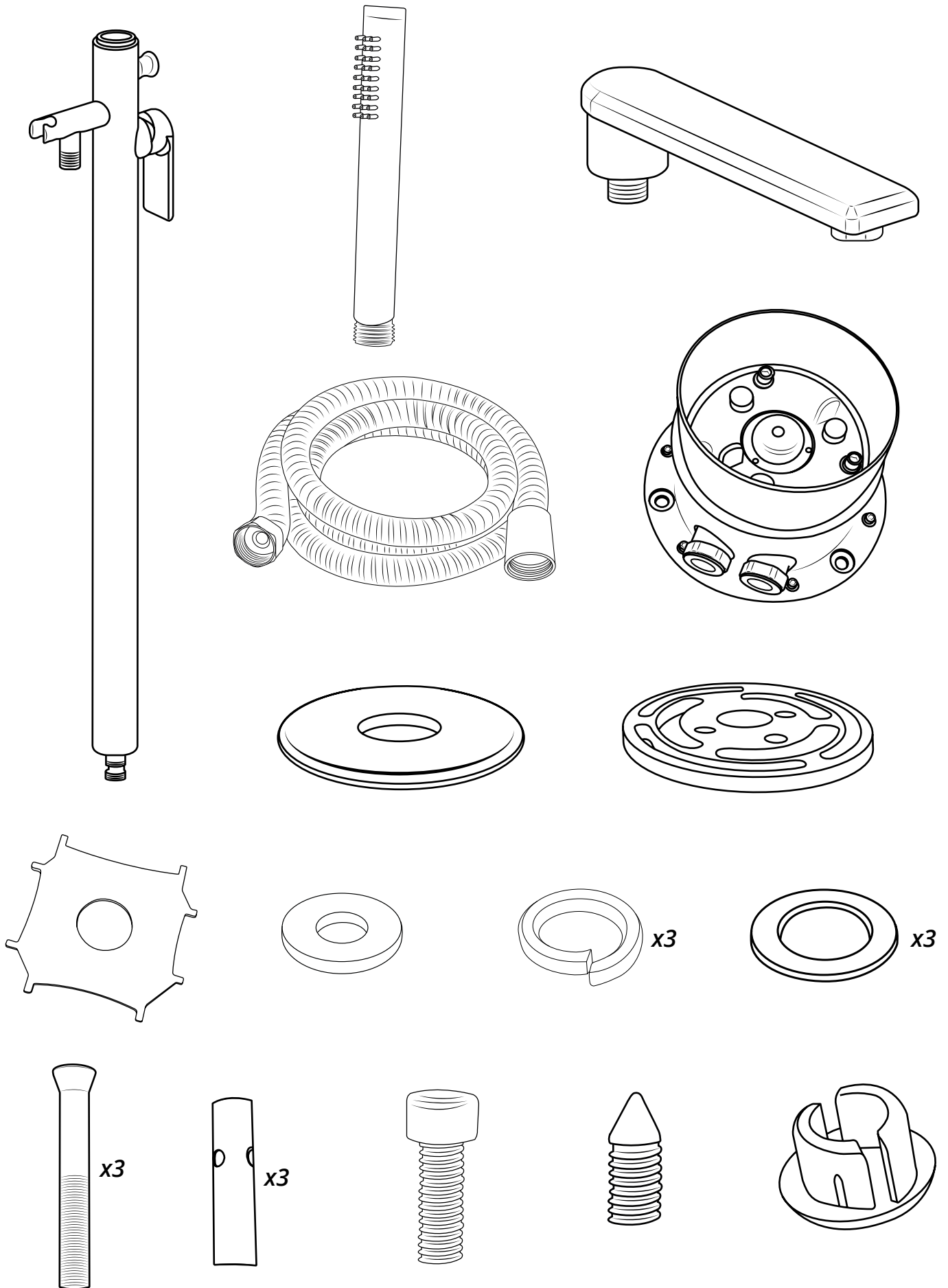
# Installation

---

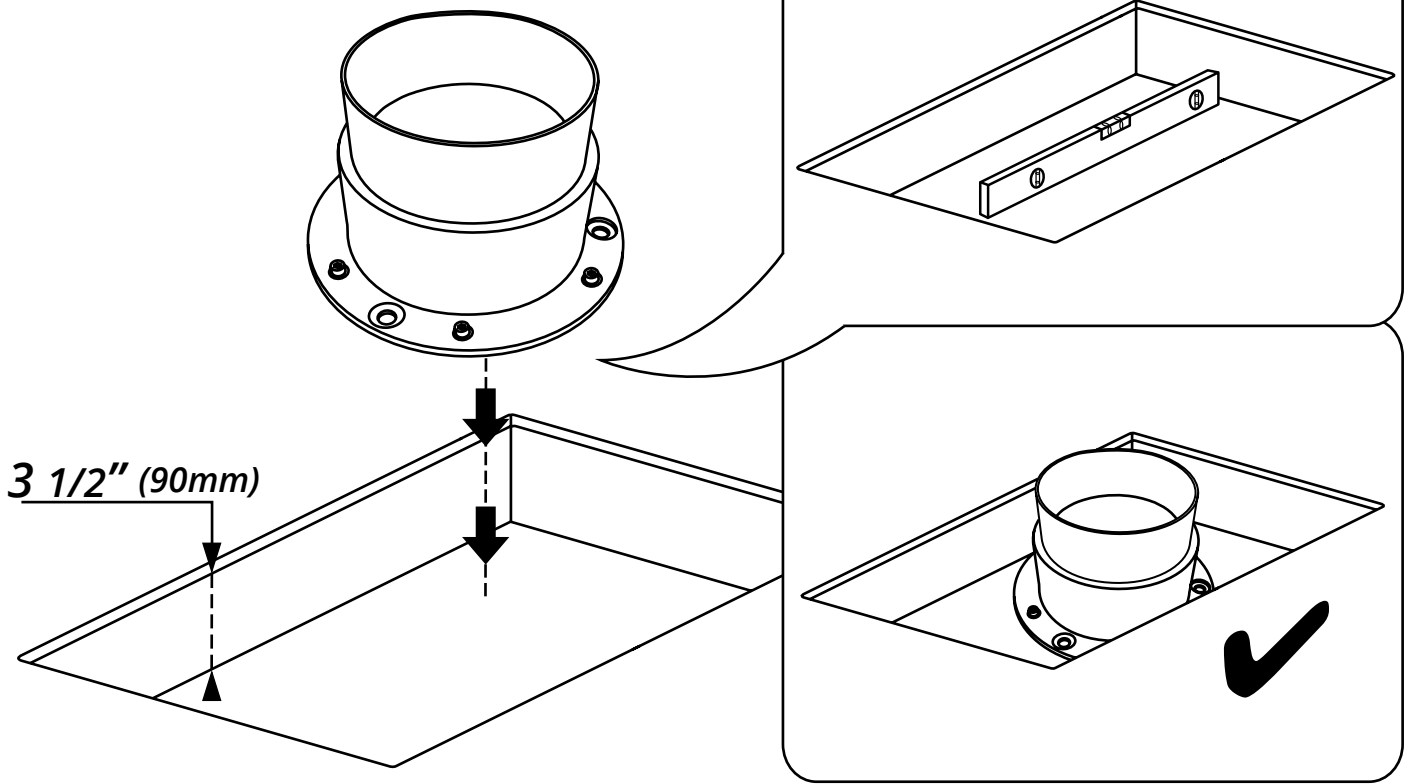
## *Tools required for installing:*



Parts included:

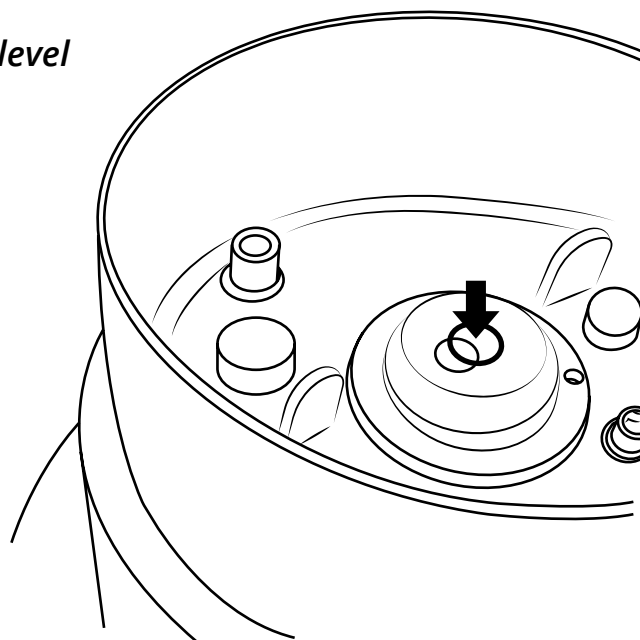


1

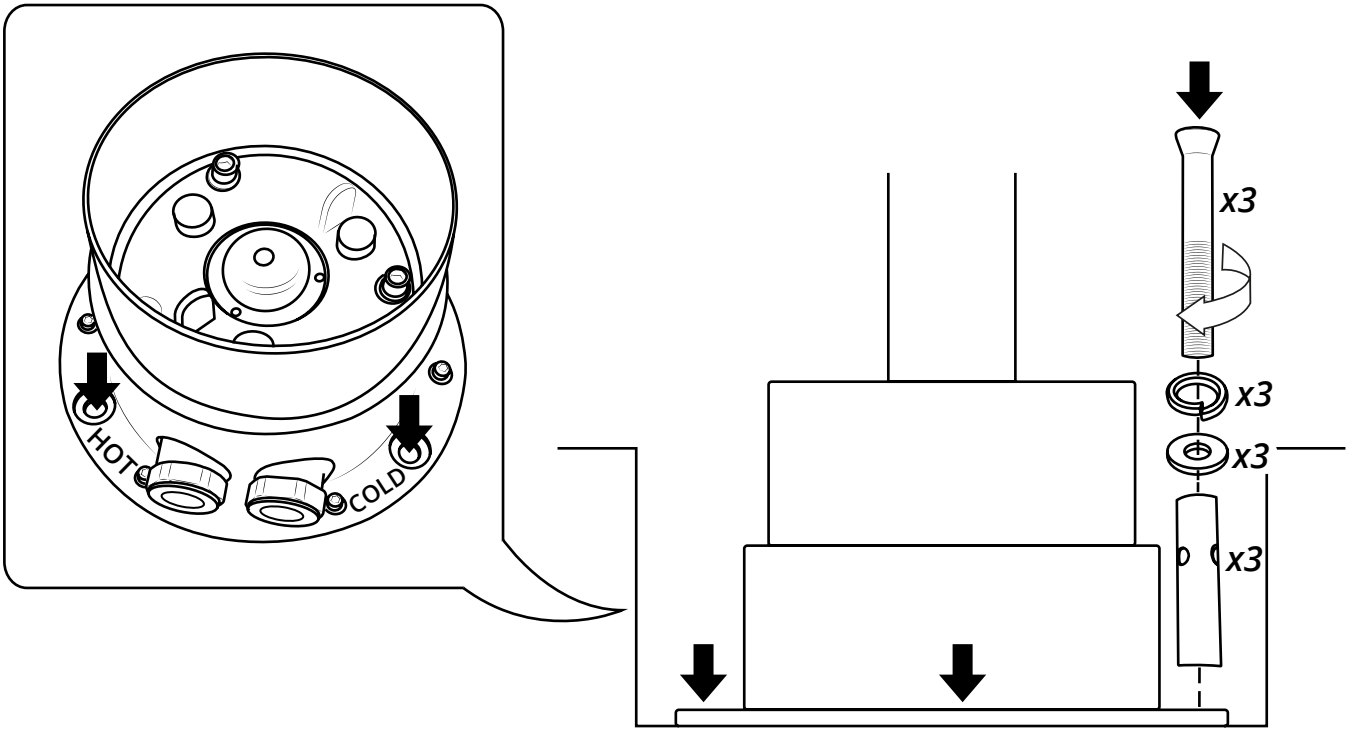


2

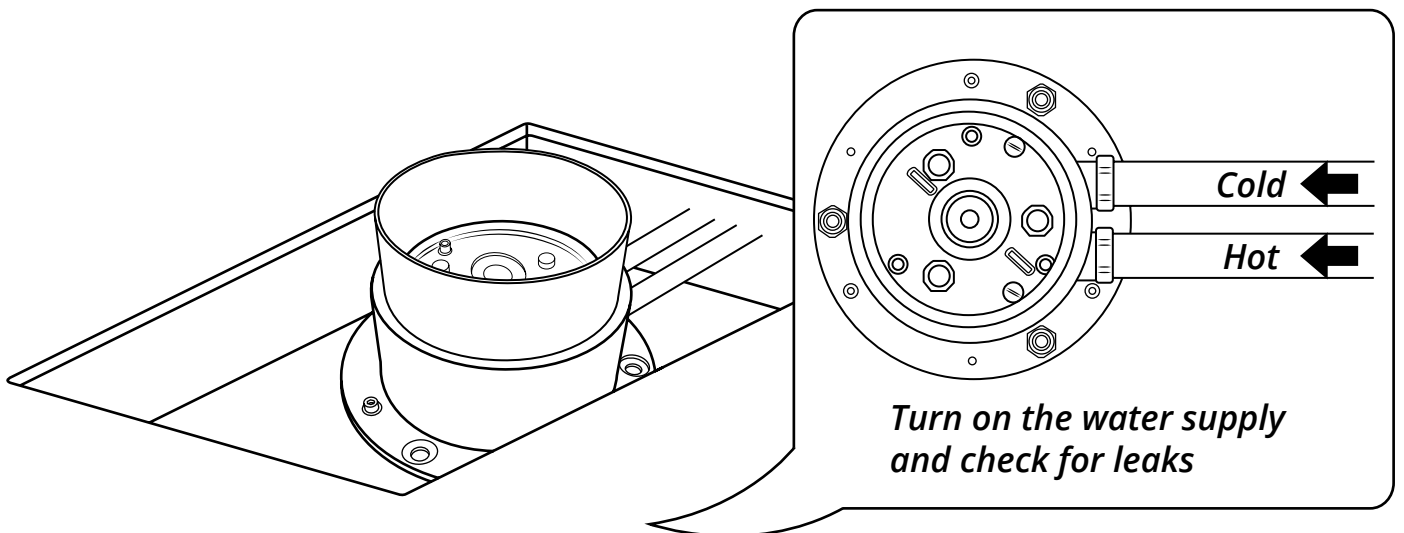
*Check spirit level*



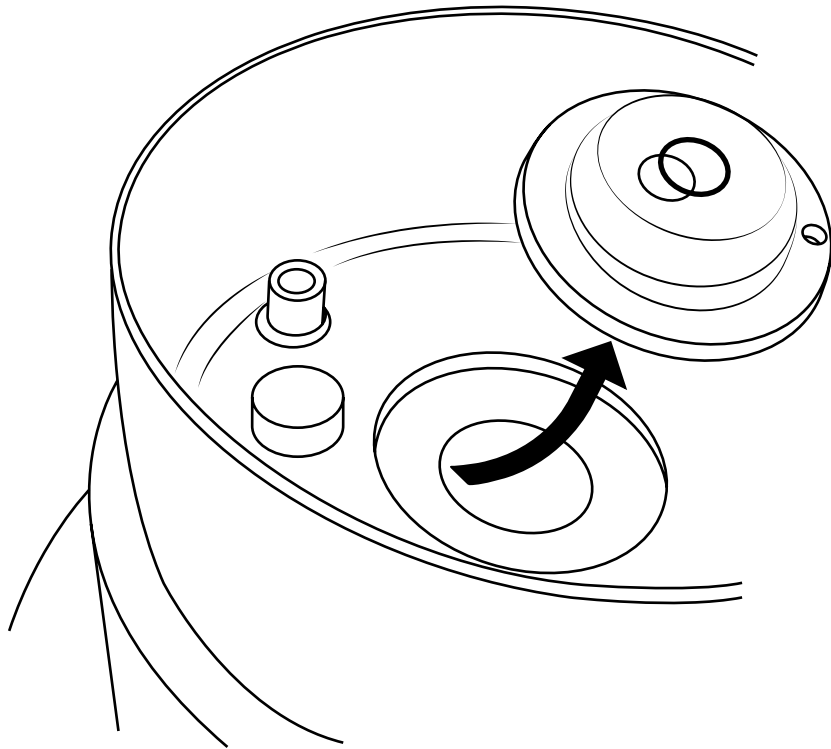
3



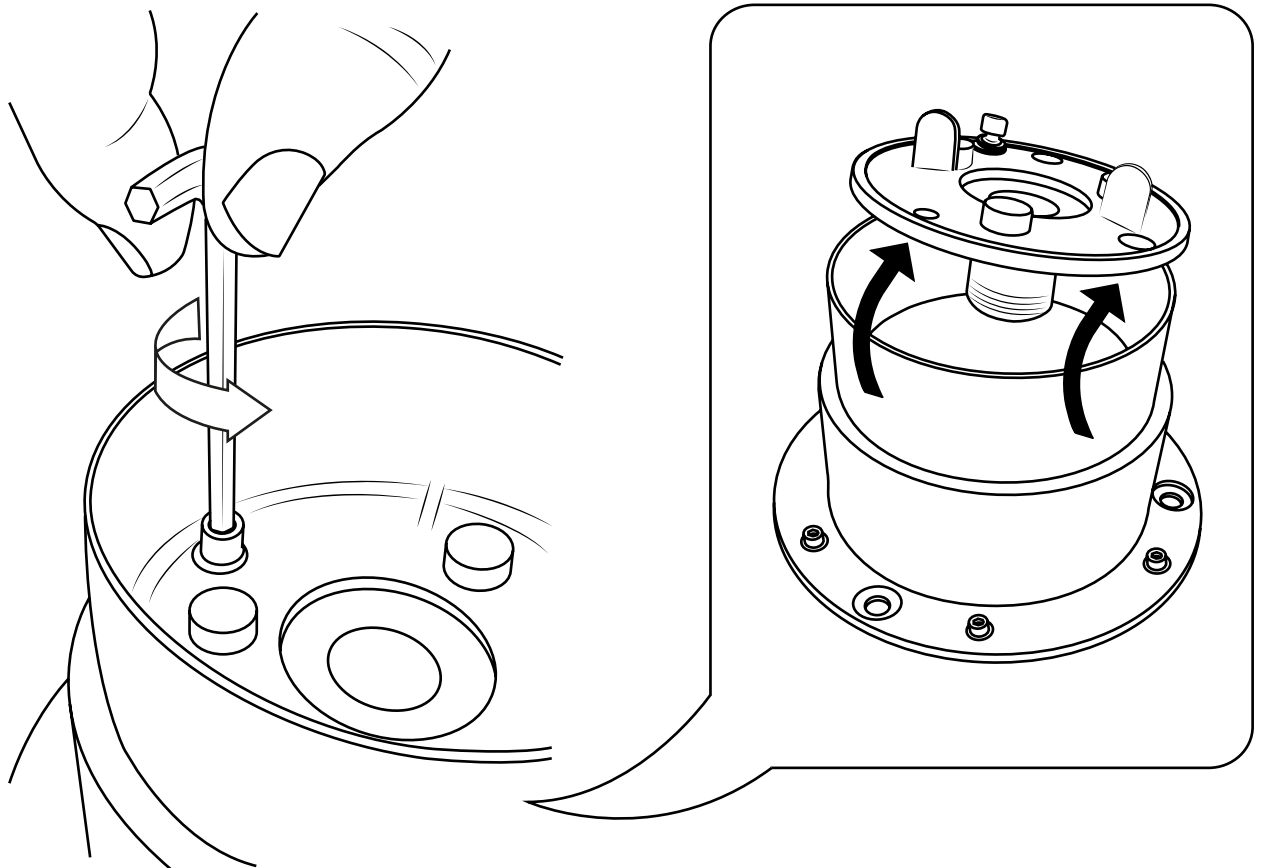
4



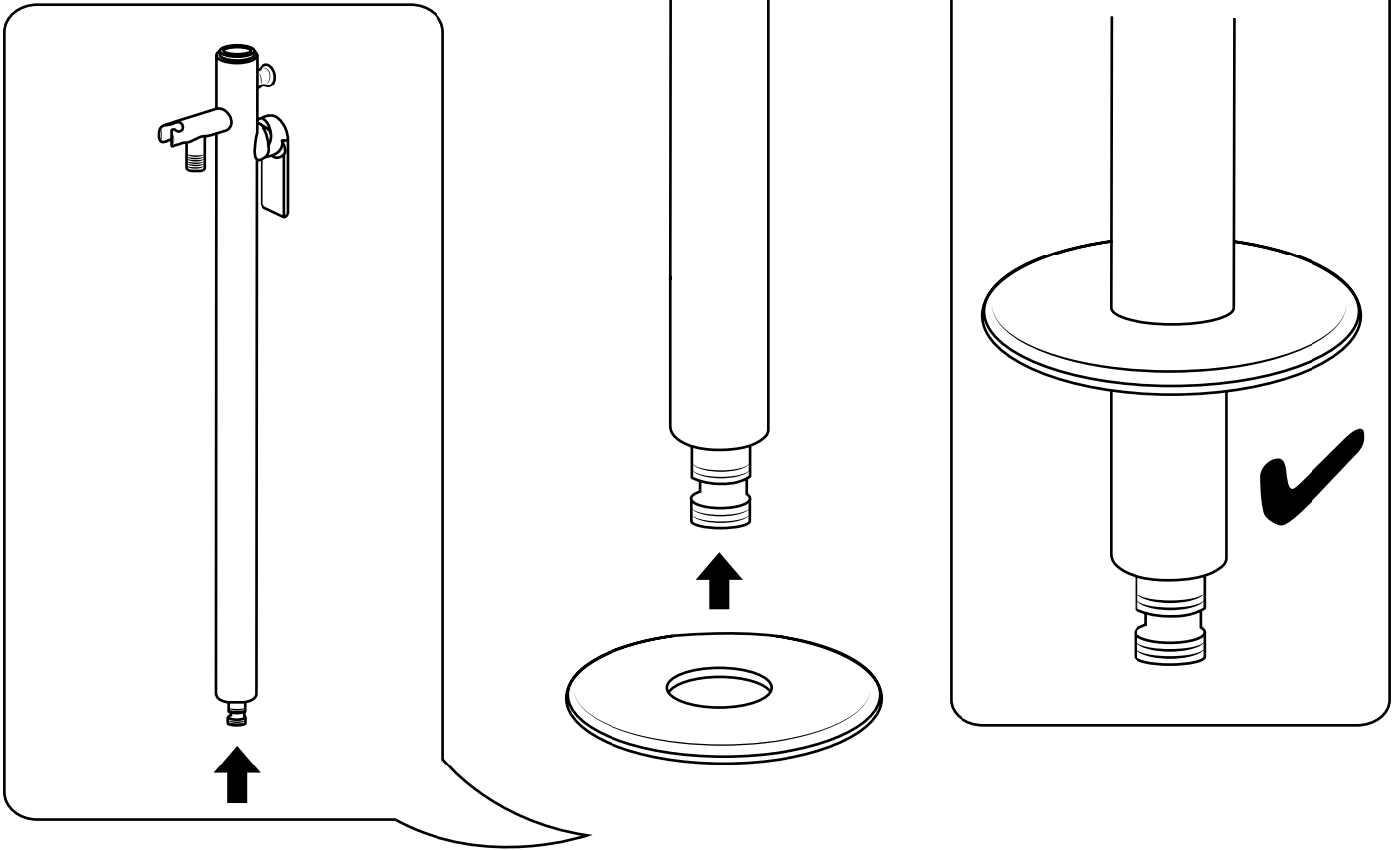
**5** *Make sure the water supply is turned off and relieve the water pressure*



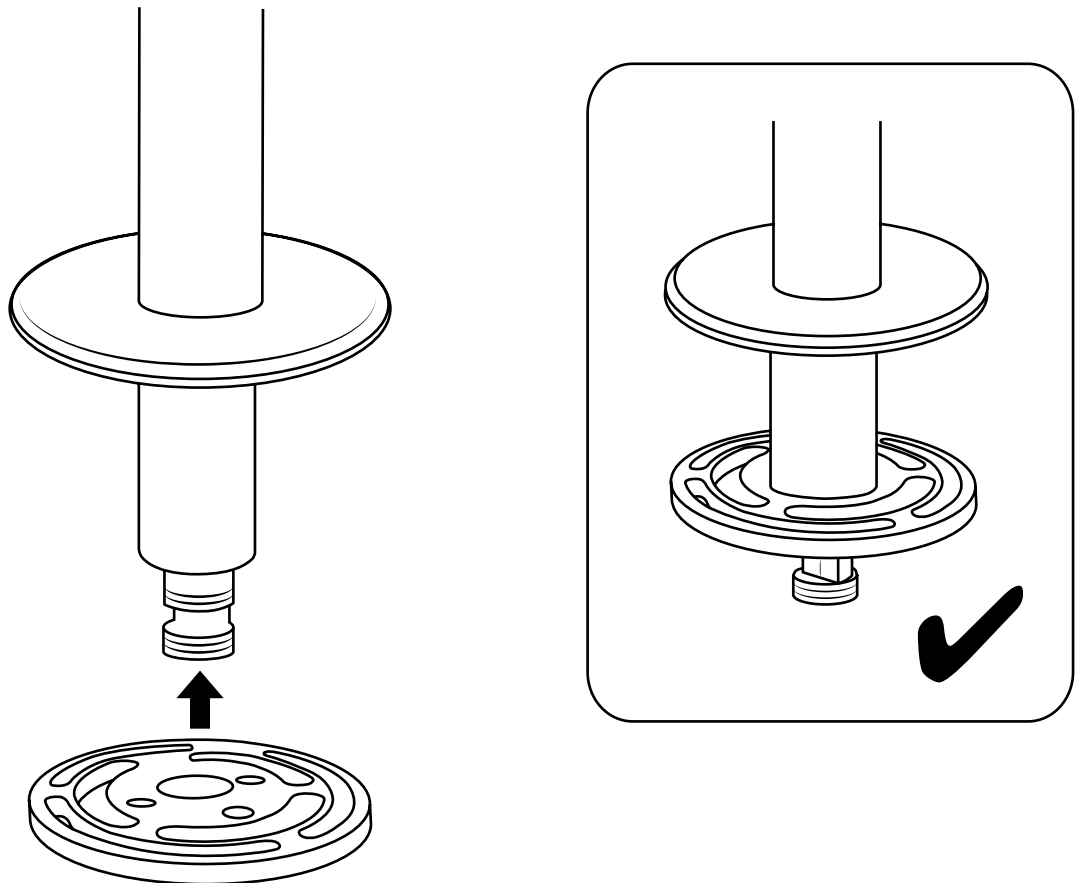
**6**



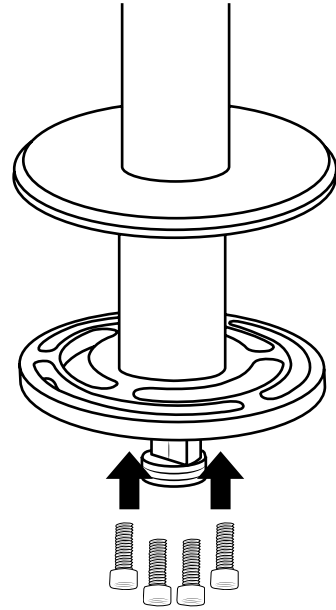
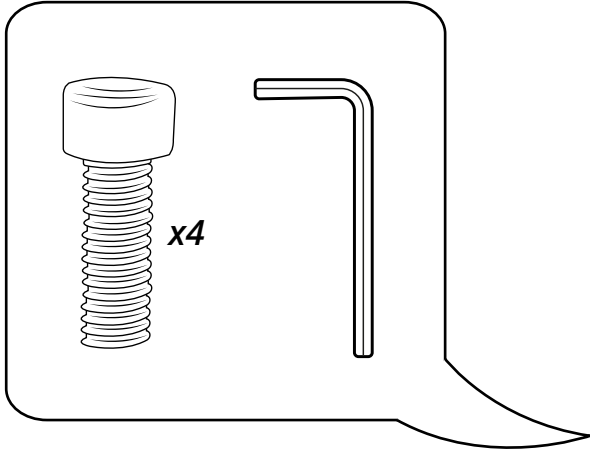
7



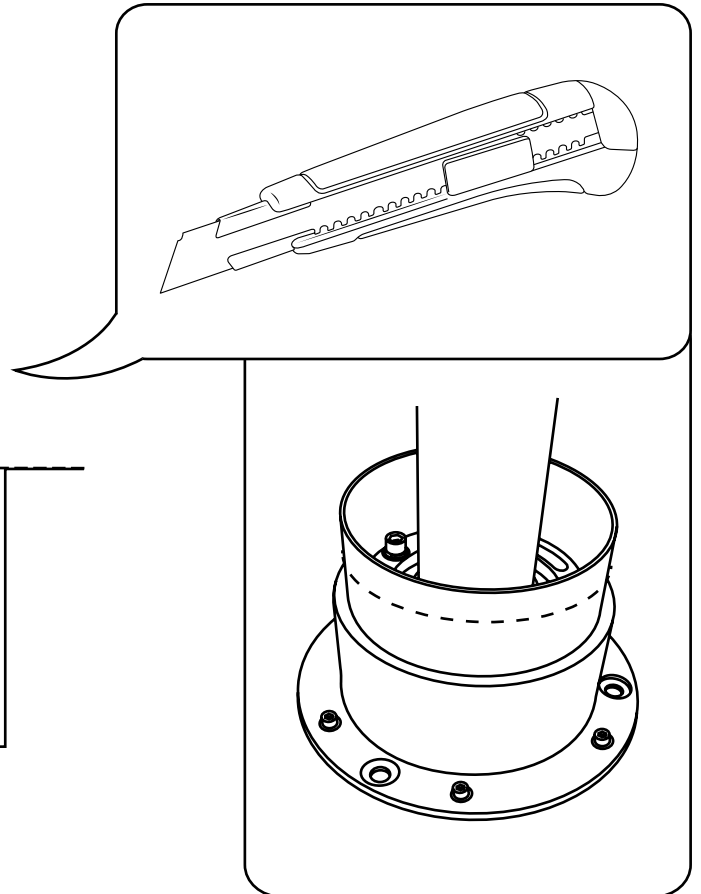
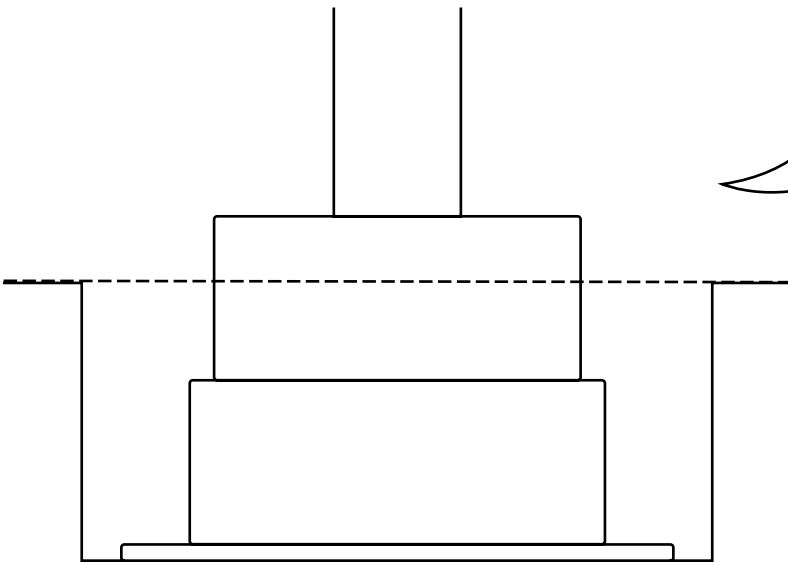
8



9

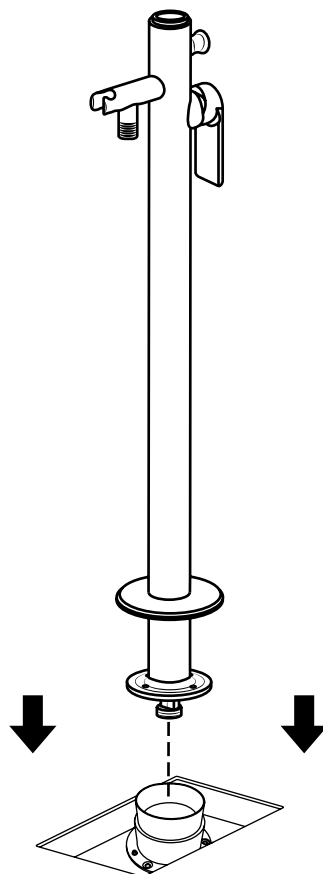


10

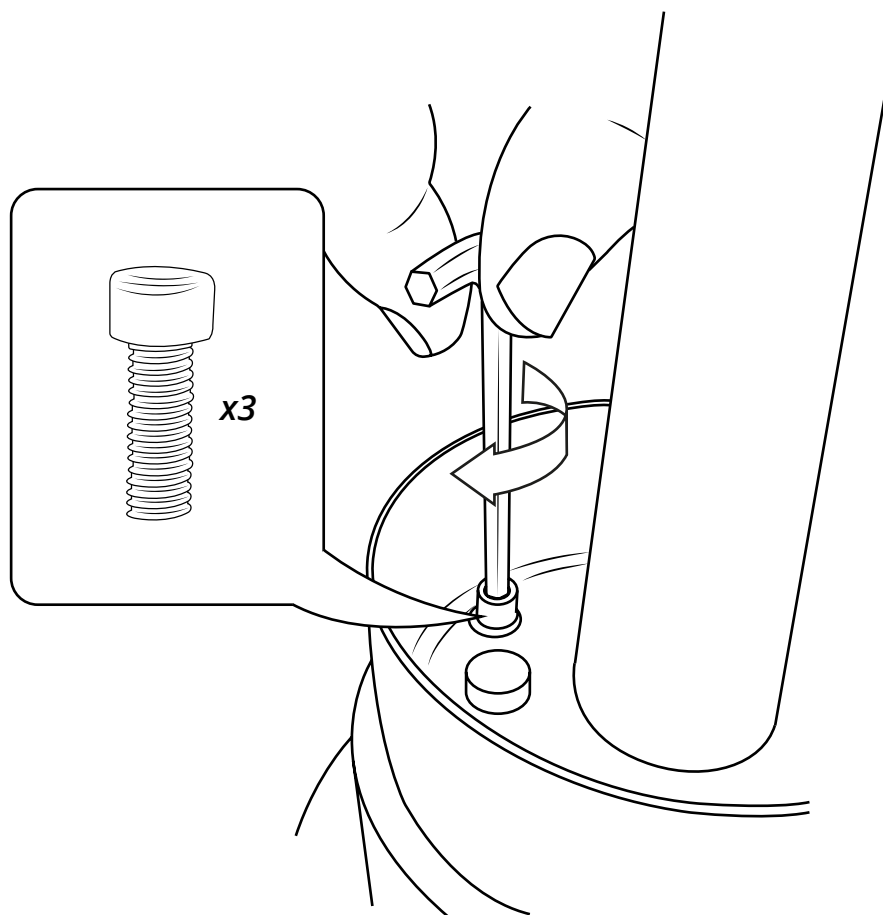




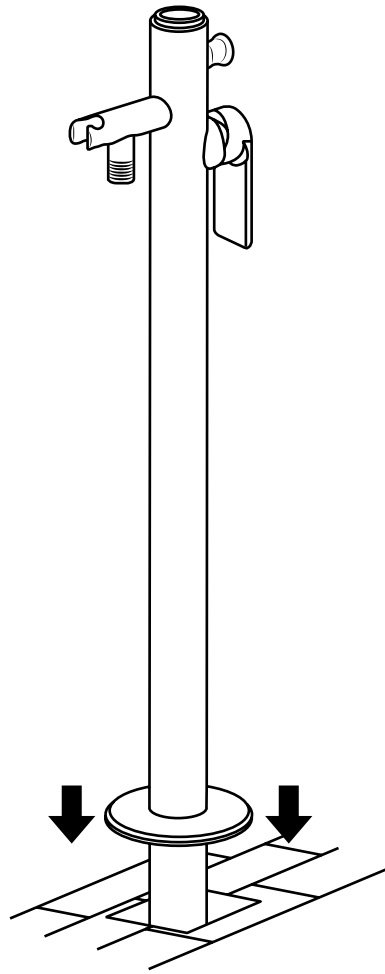
11



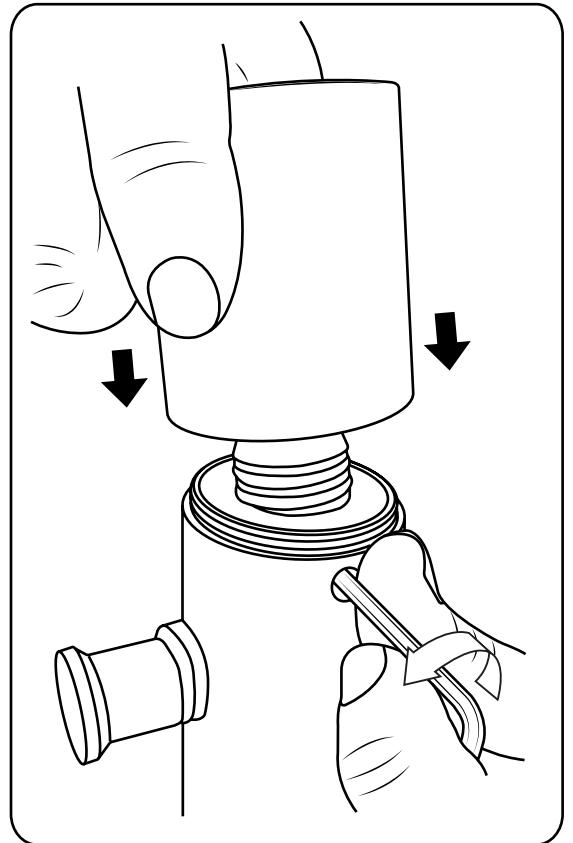
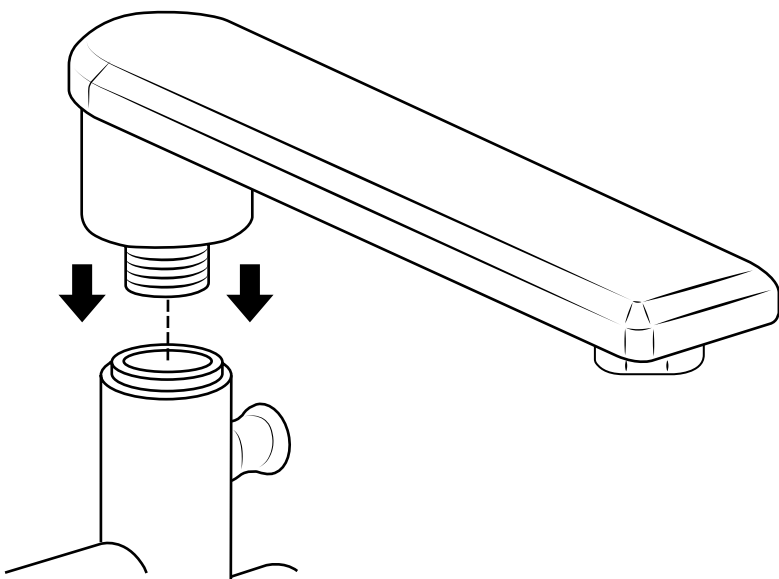
12



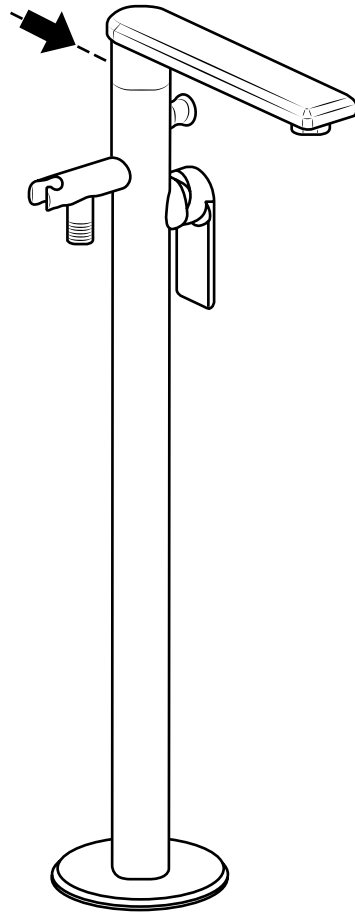
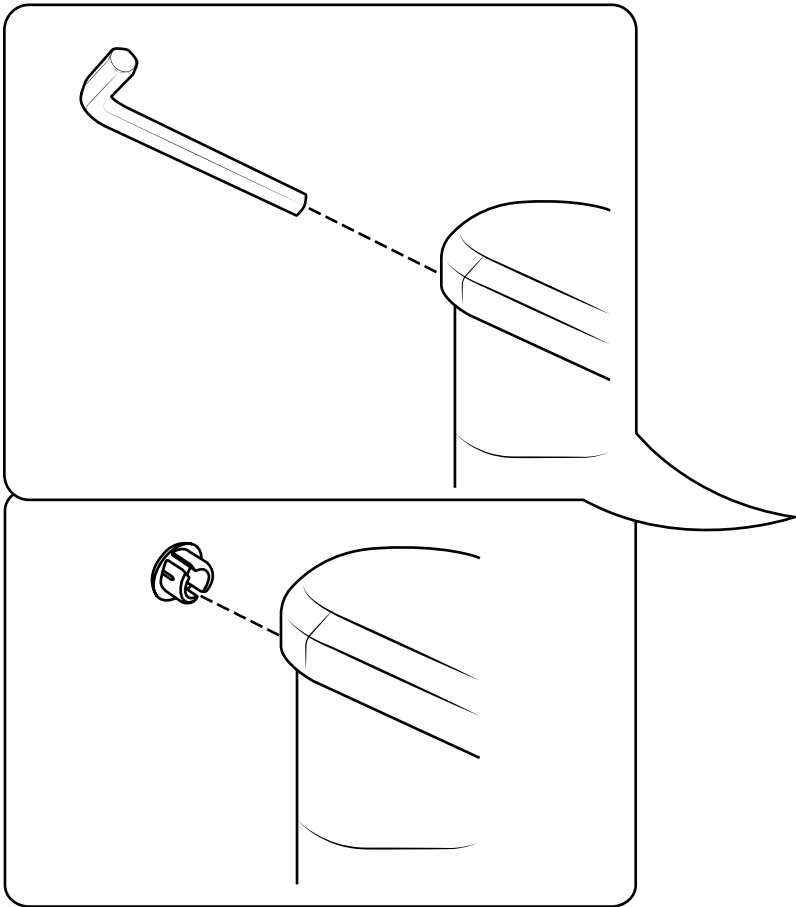
13



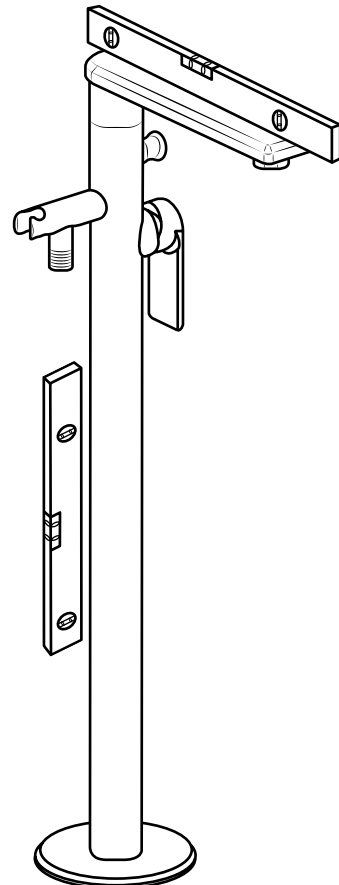
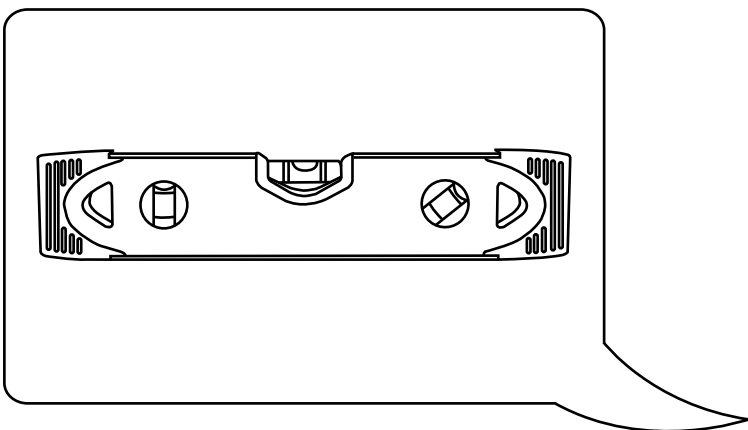
14



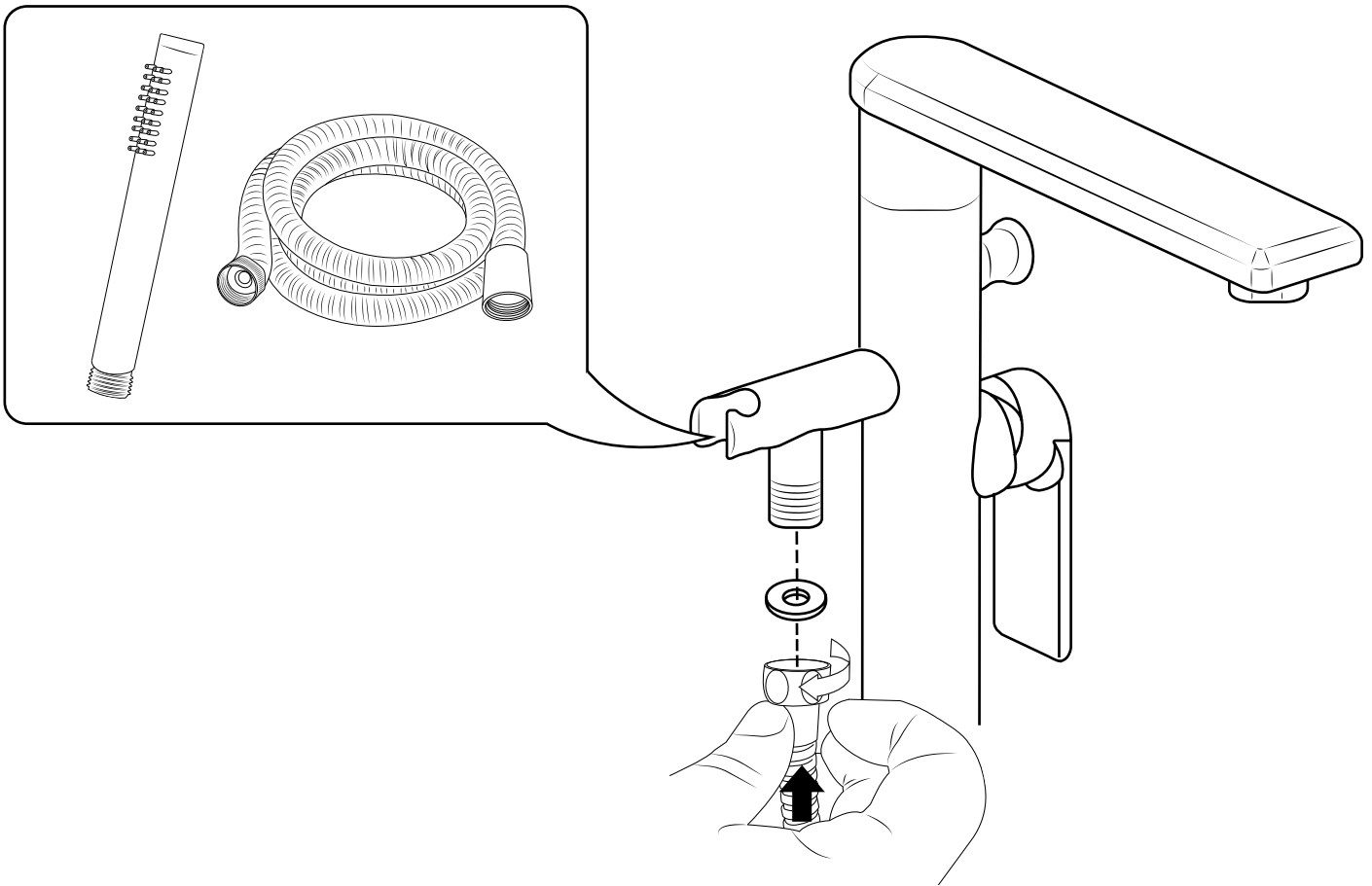
15



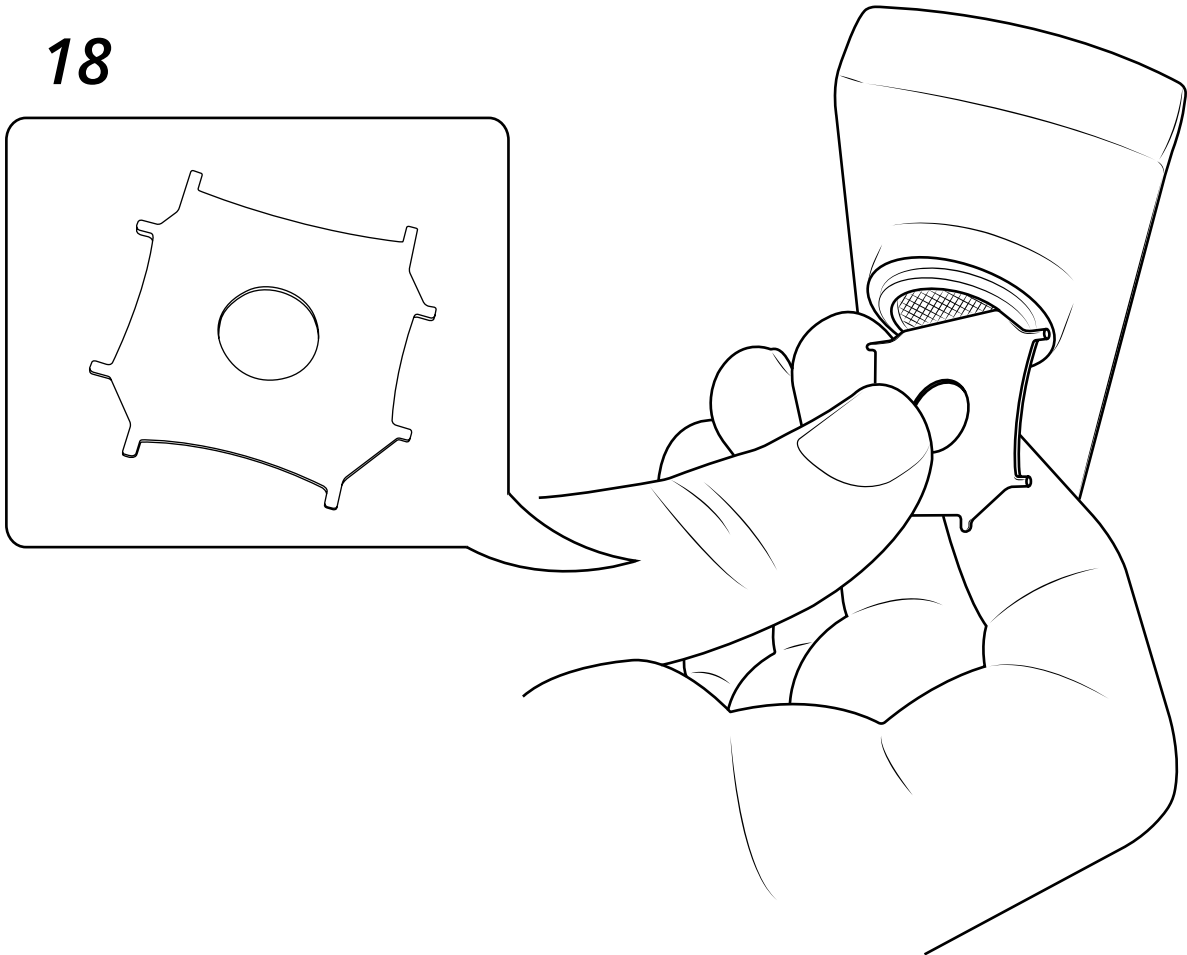
16



17



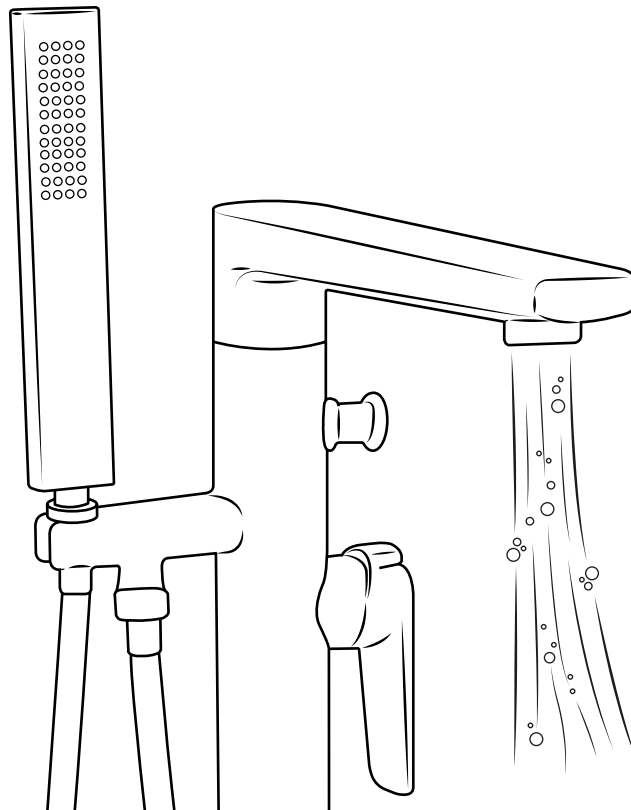
18



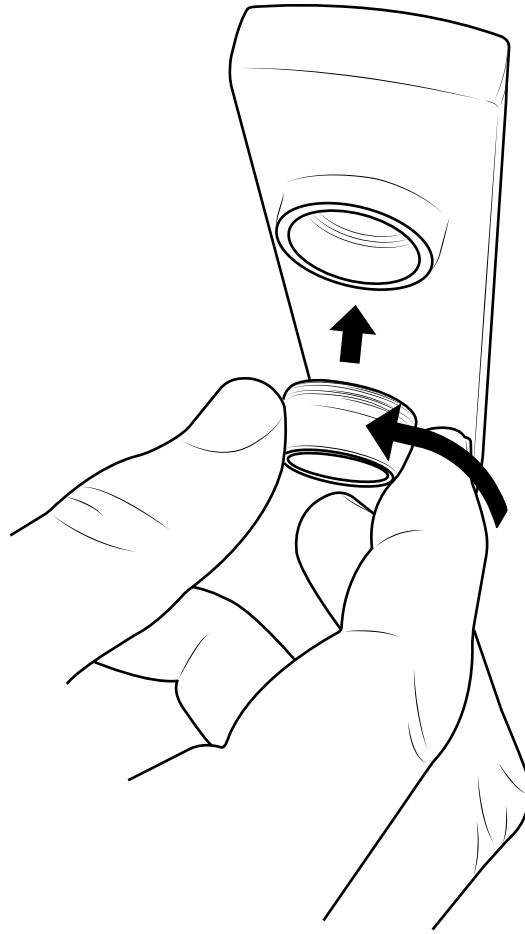
19



20



21



22

