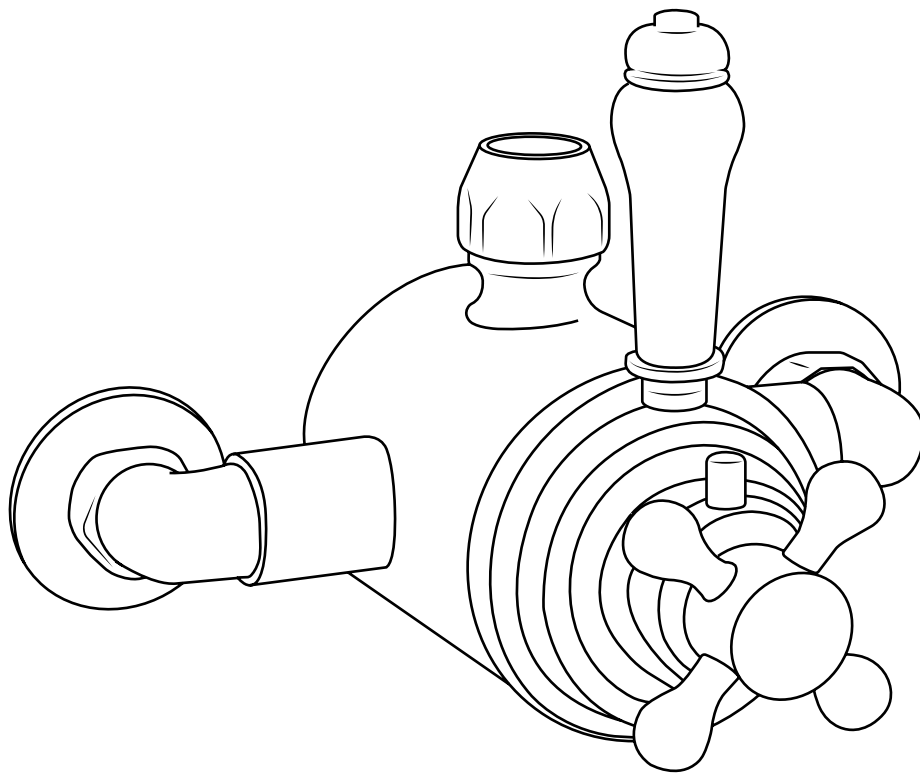


# Hudson Reed

Dual Exposed Valve

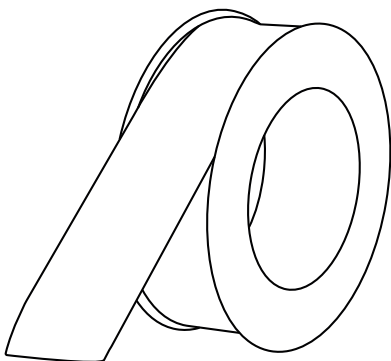
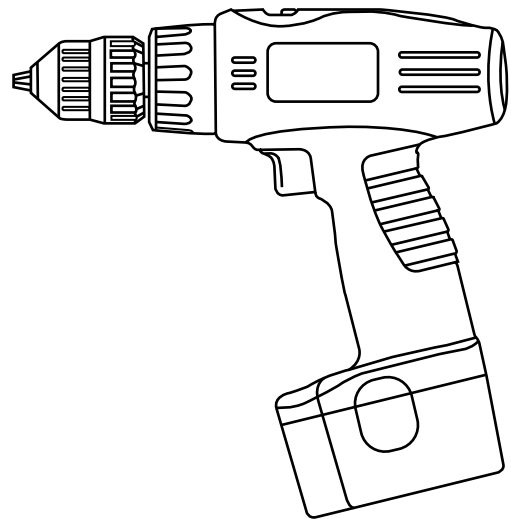
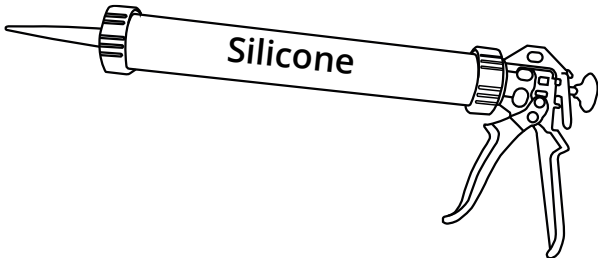
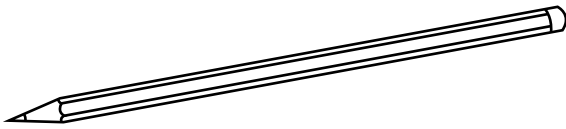
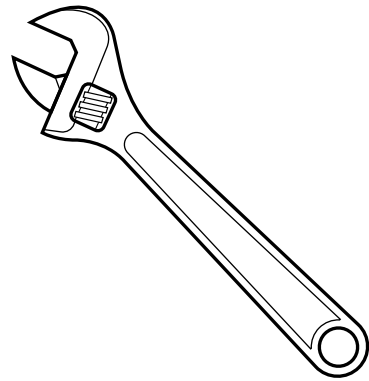
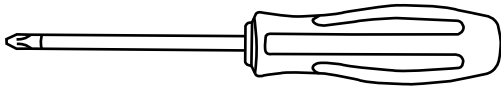


Installation Guide

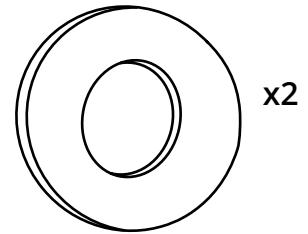
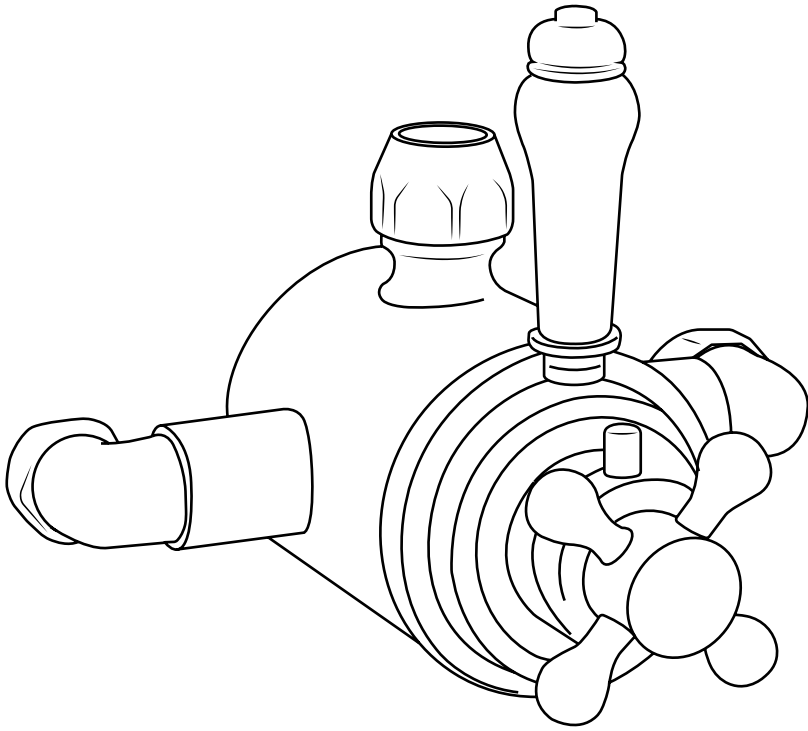
# Installation

---

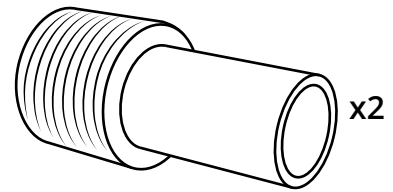
*Tools required for installing:*



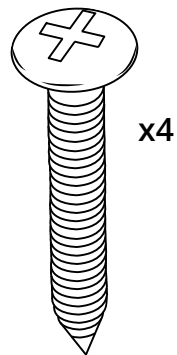
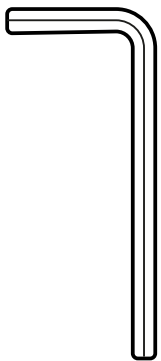
**Parts included:**



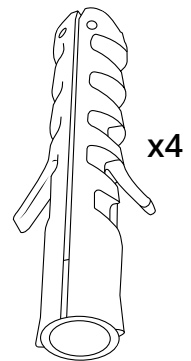
x2



x2

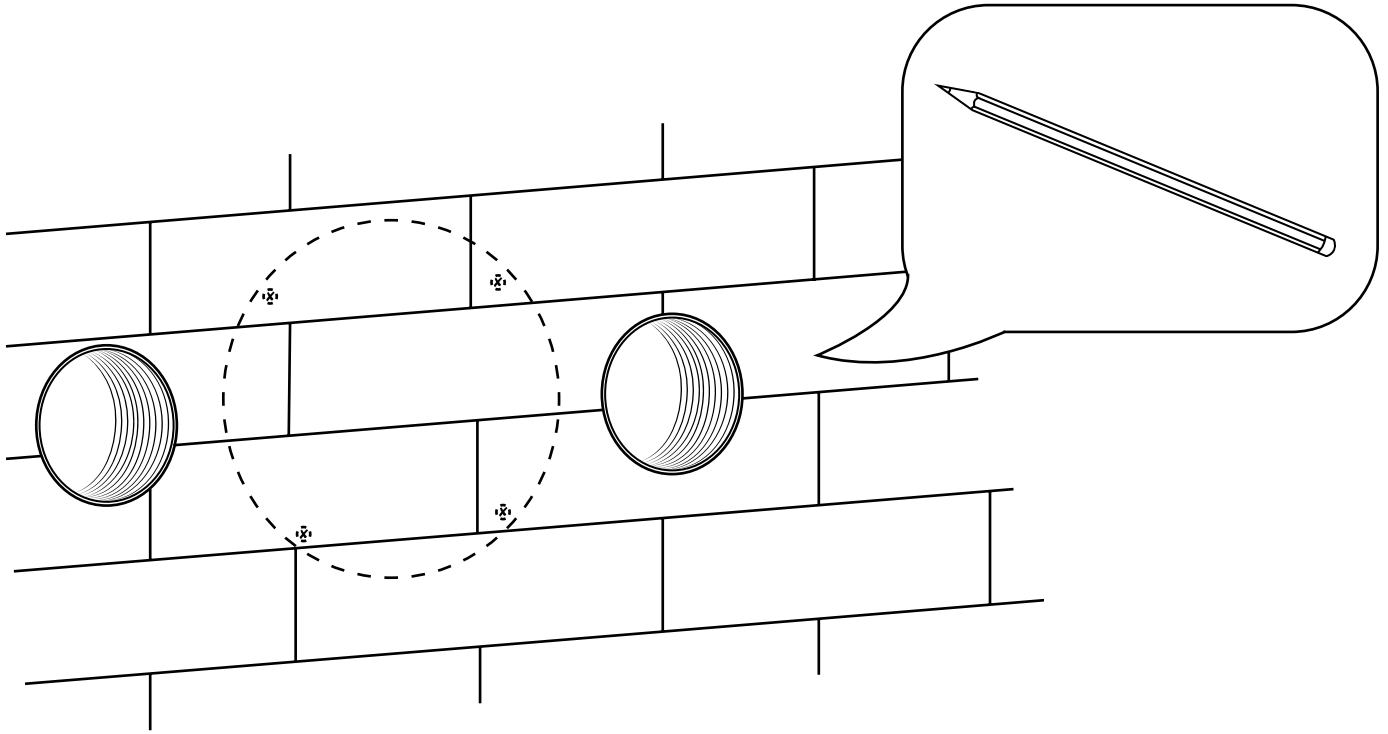


x4

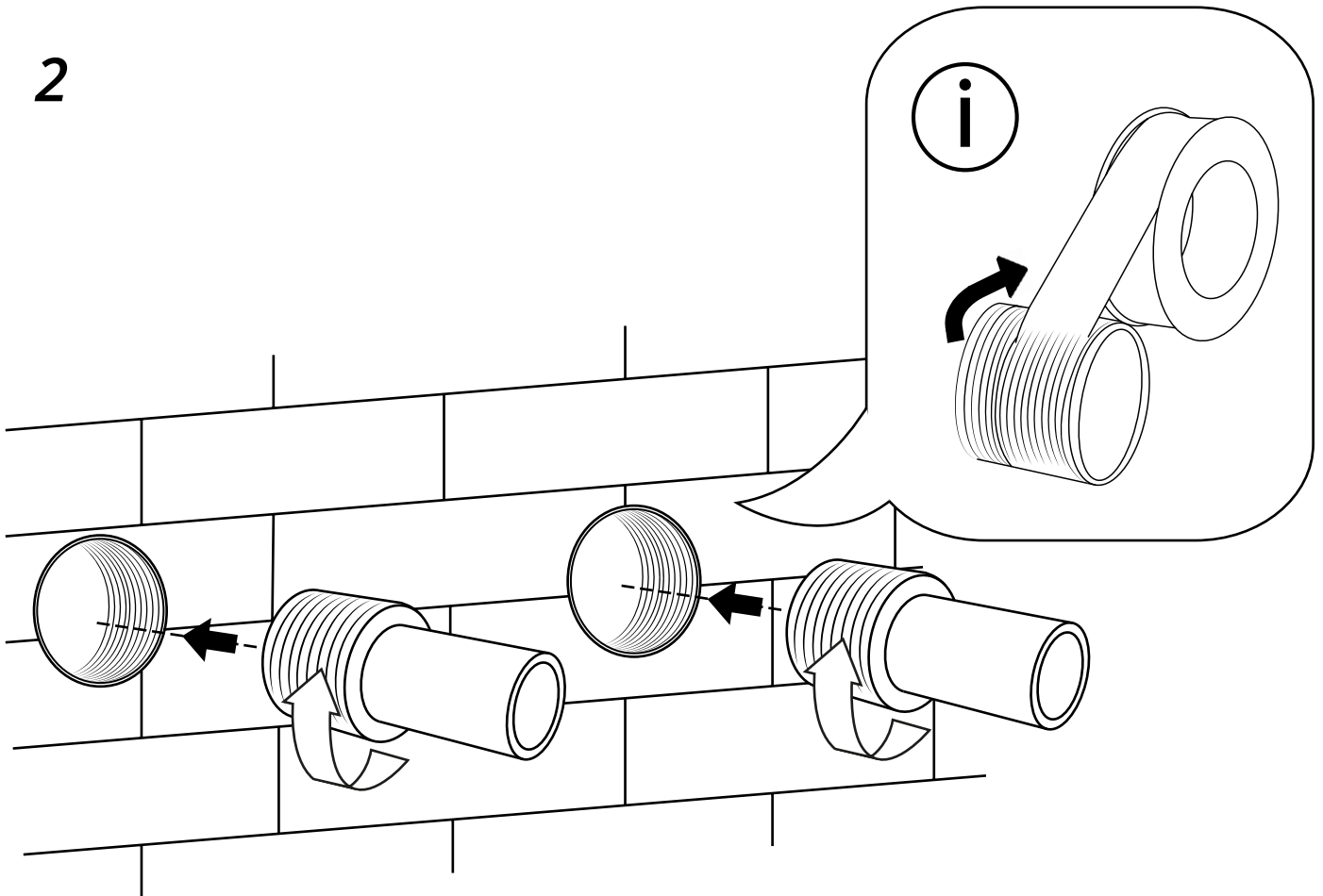


x4

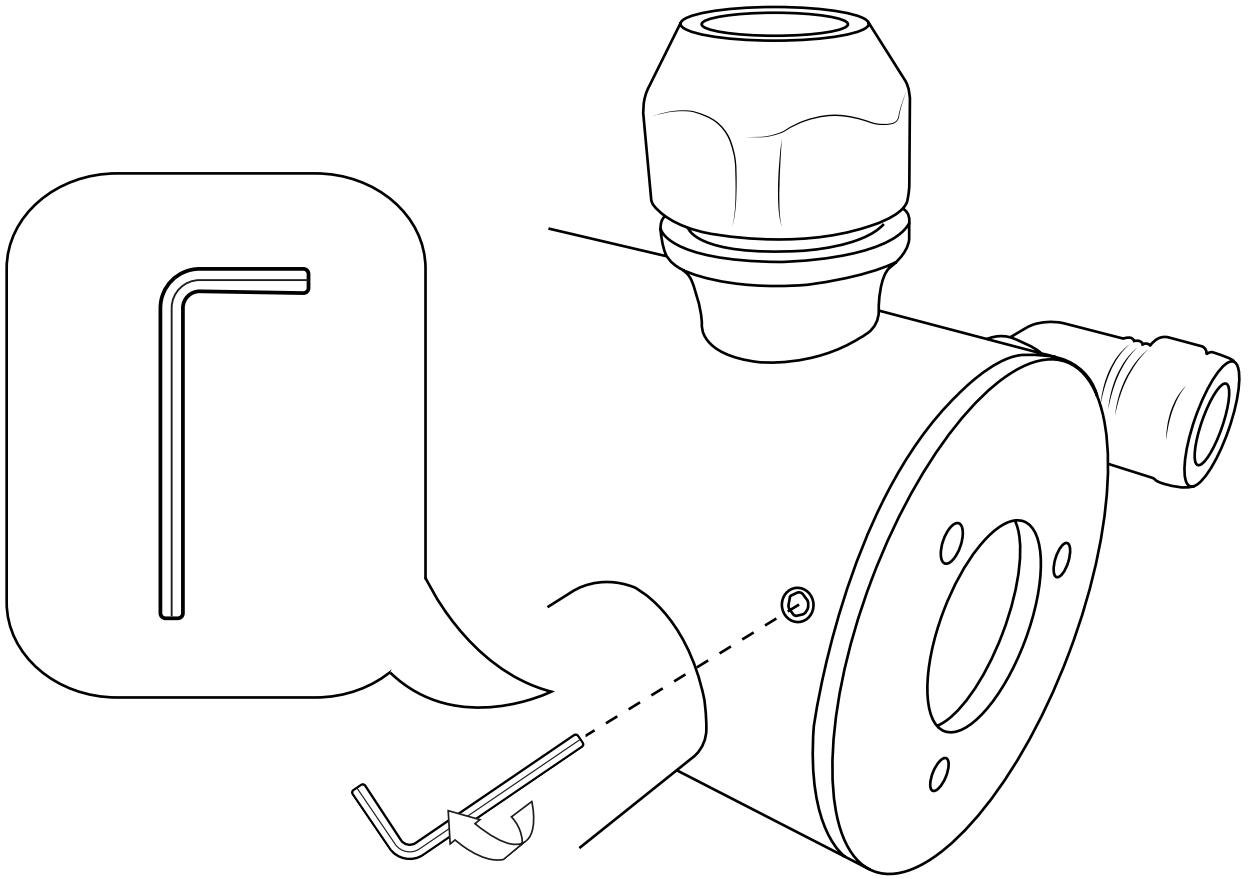
1



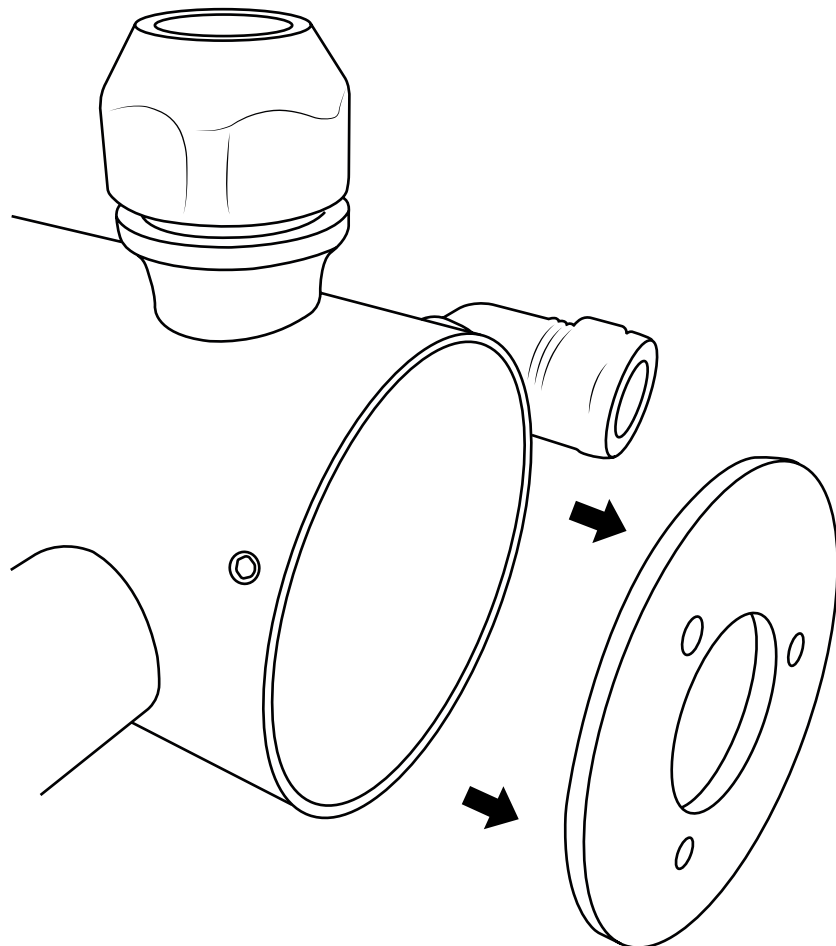
2



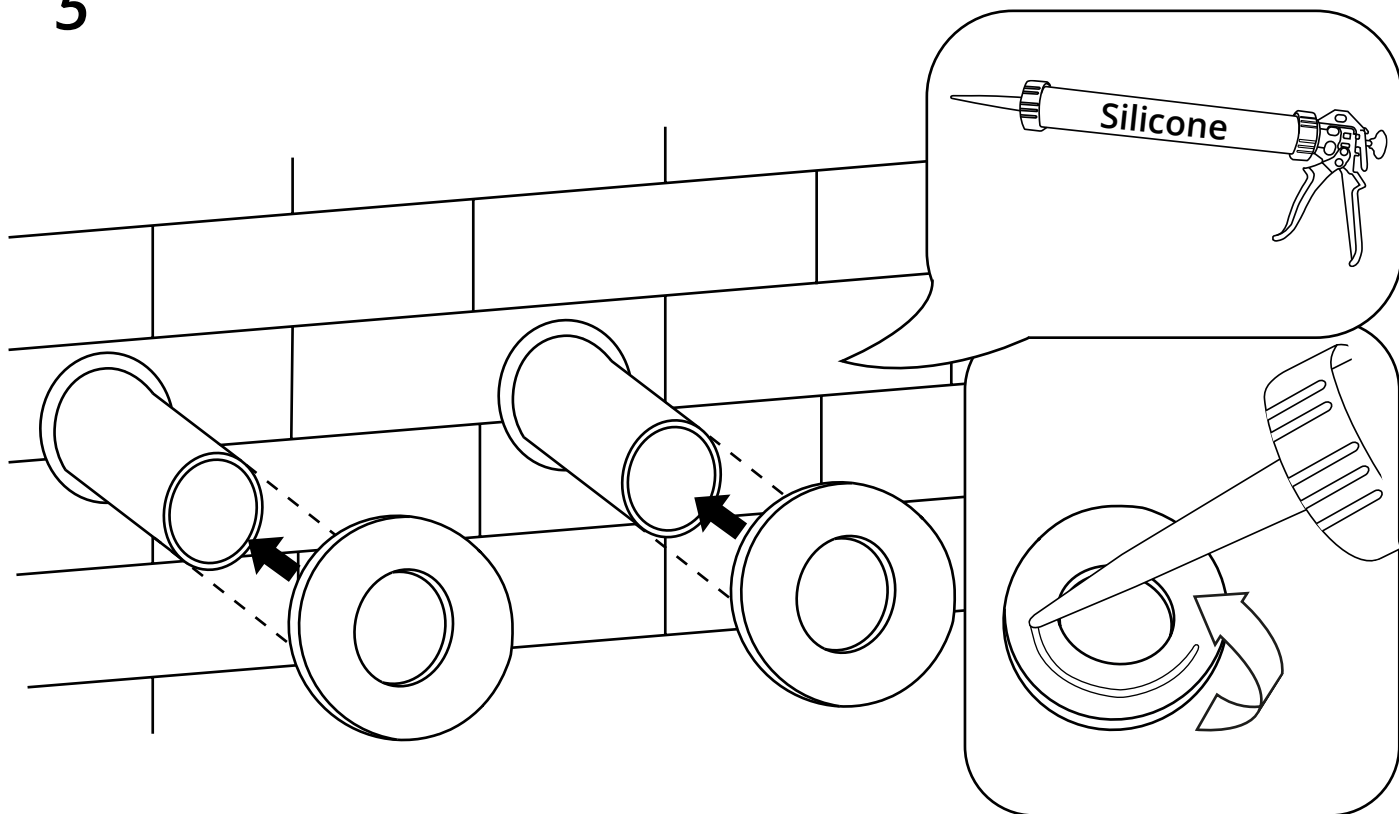
3



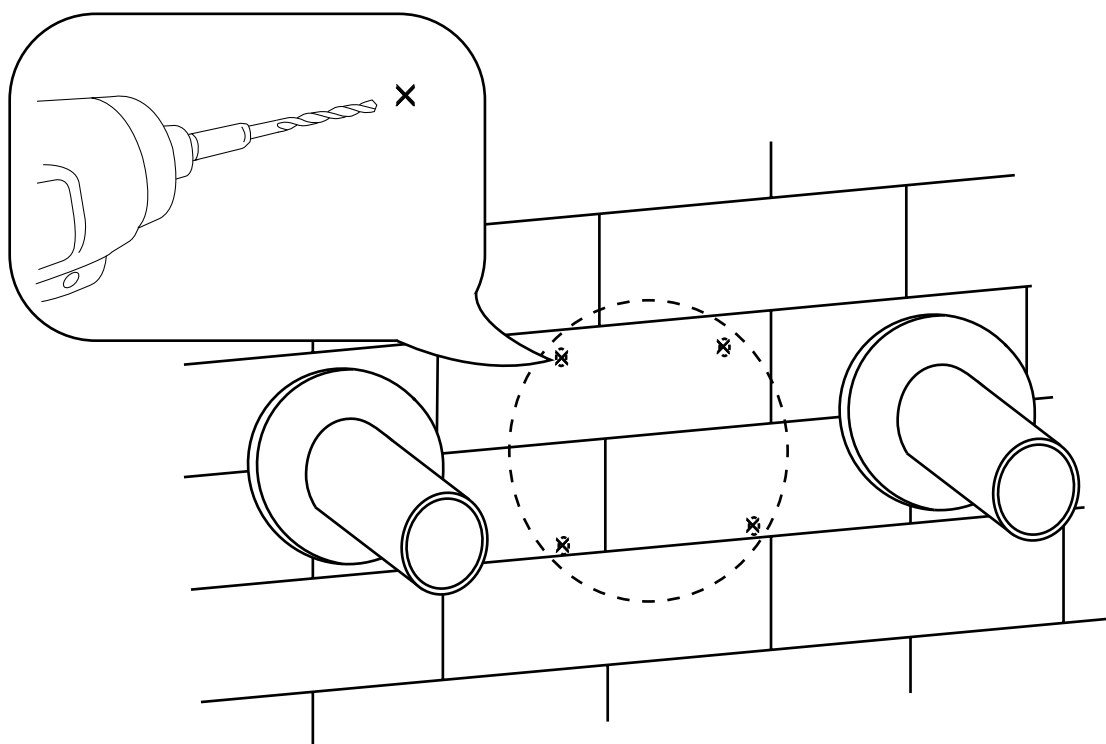
4



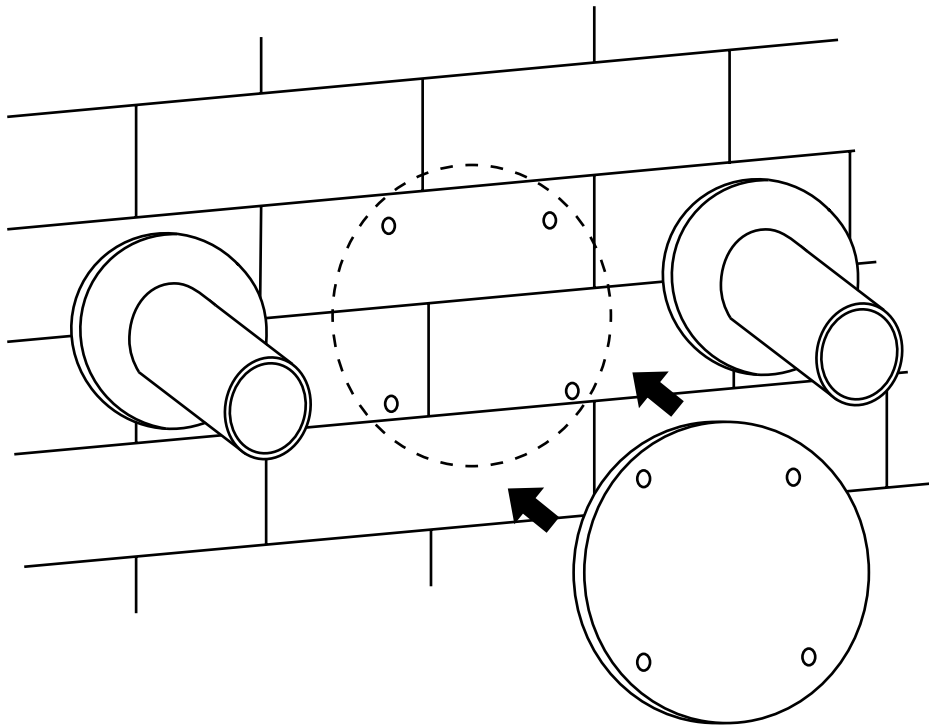
5



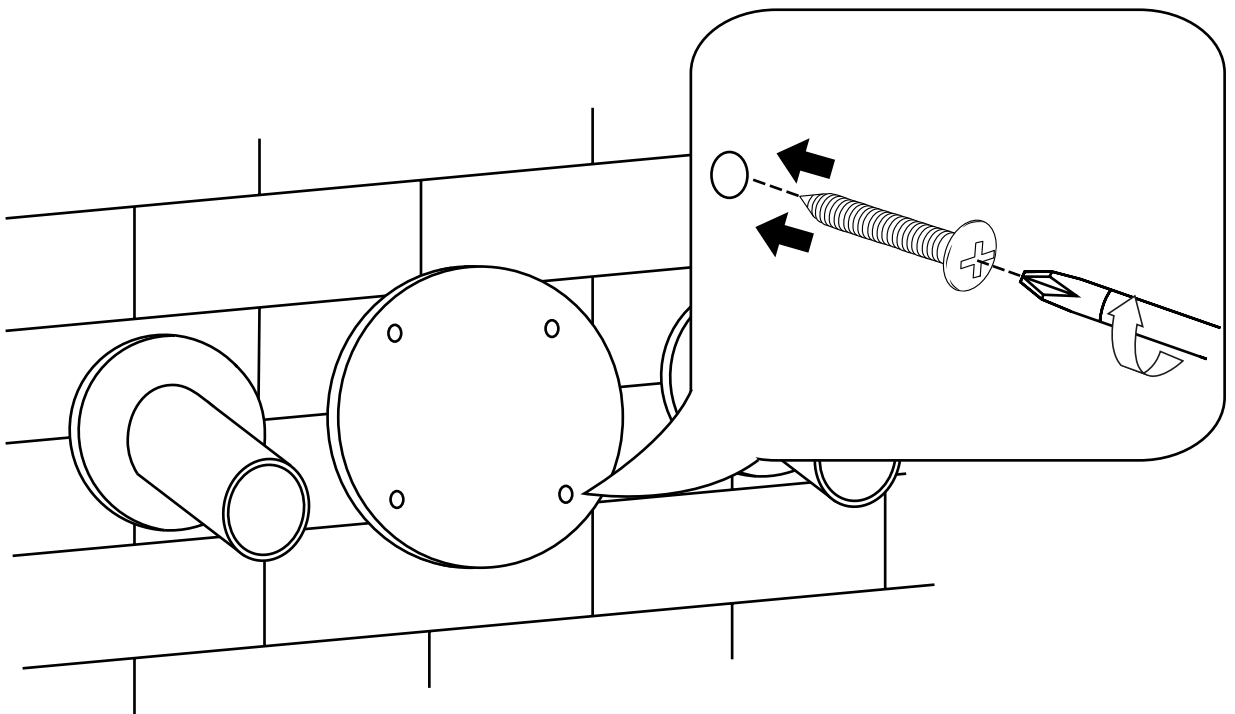
6



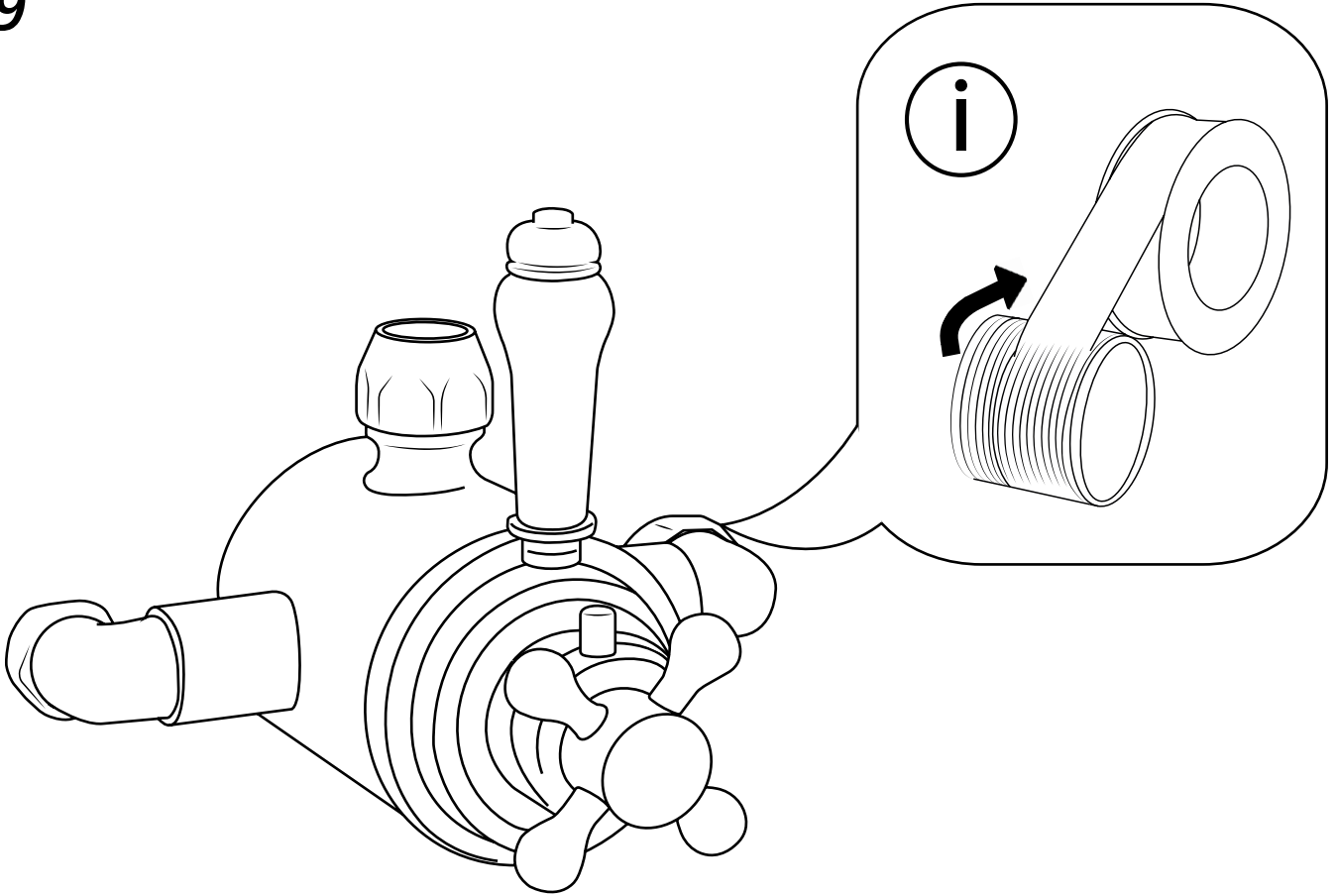
7



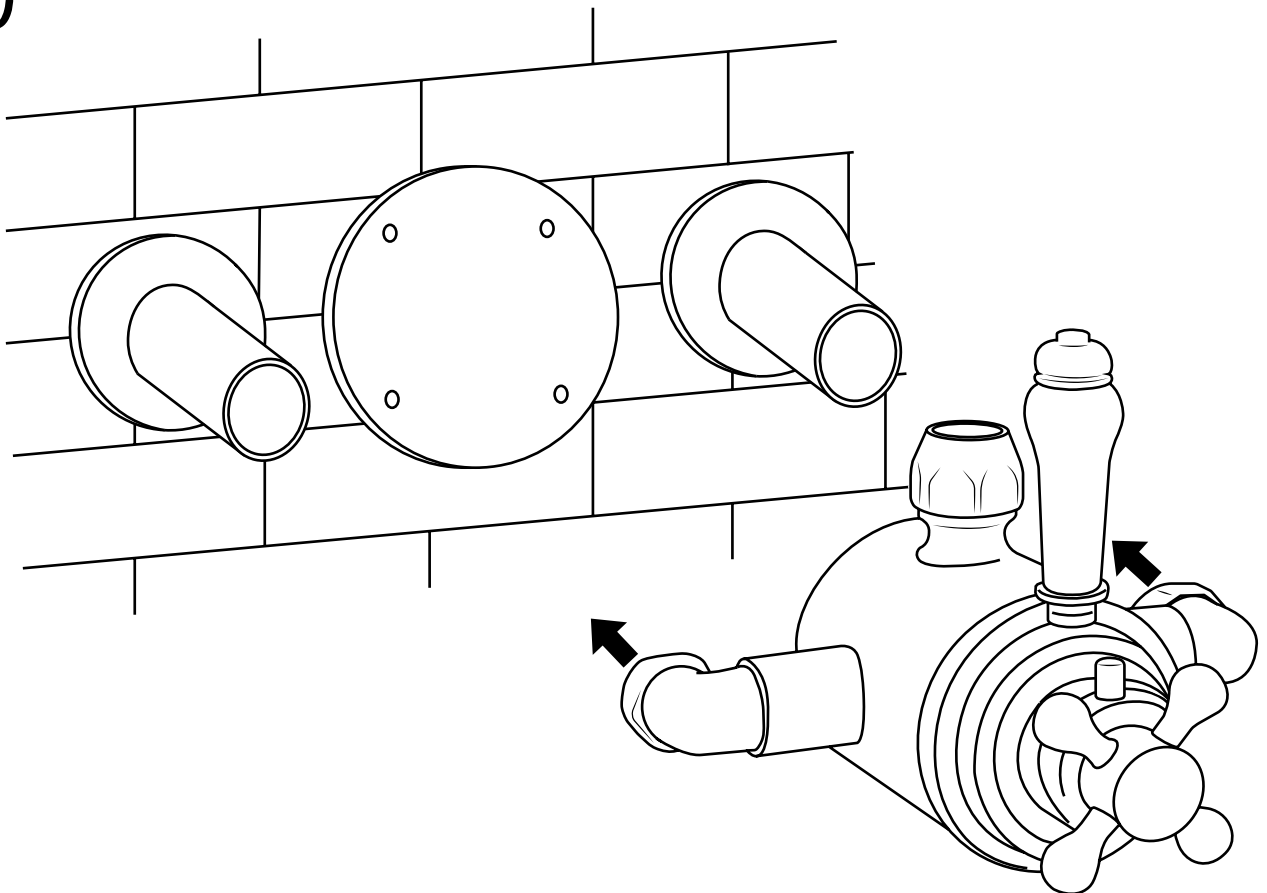
8



9

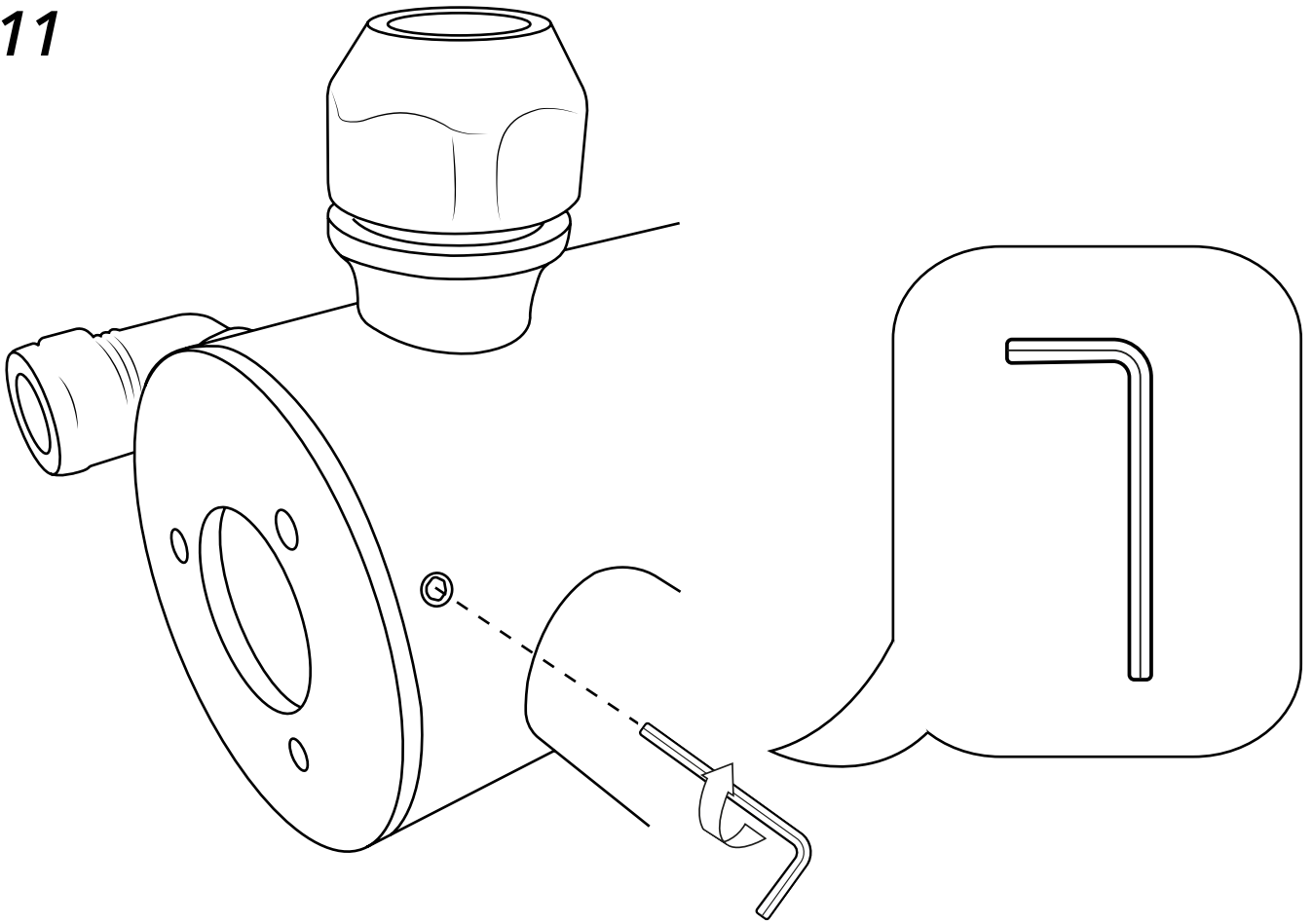


10

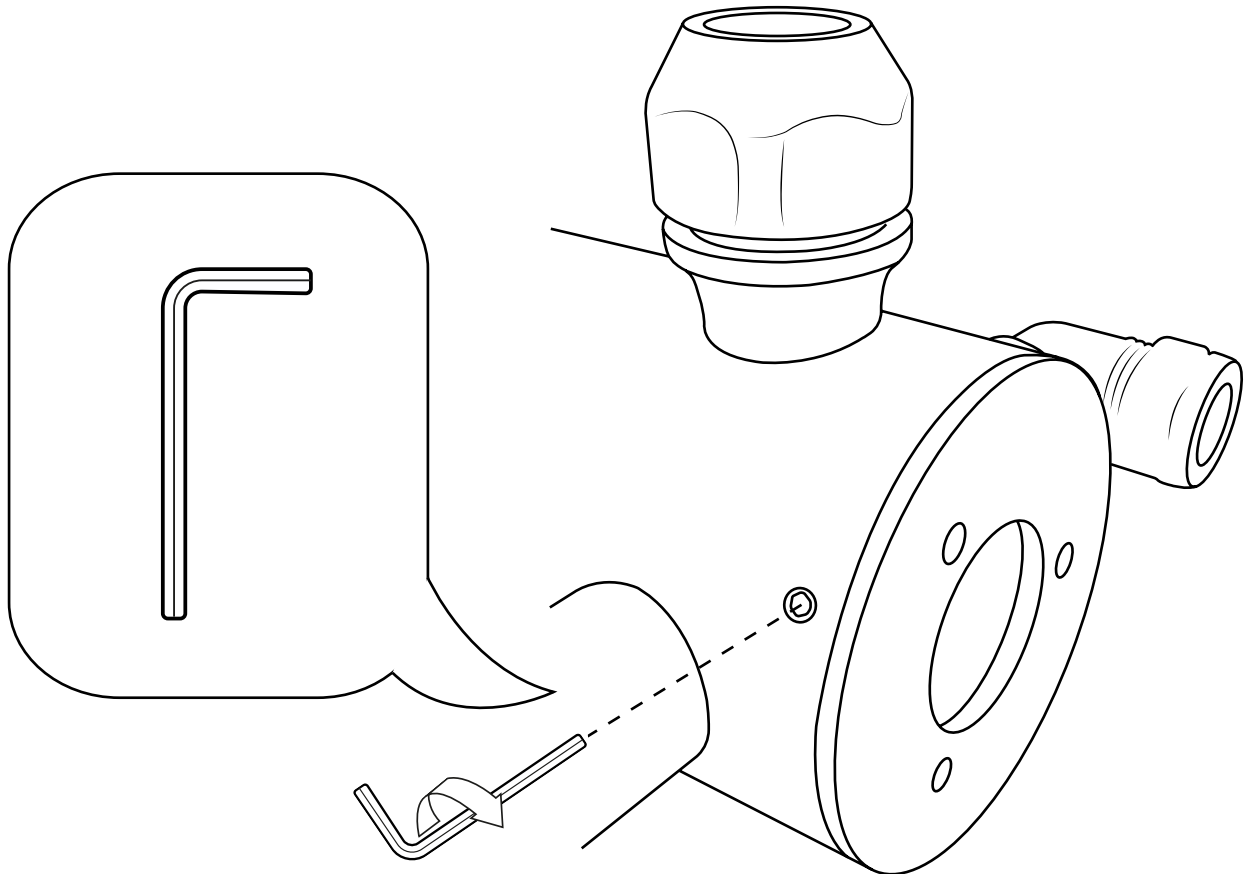




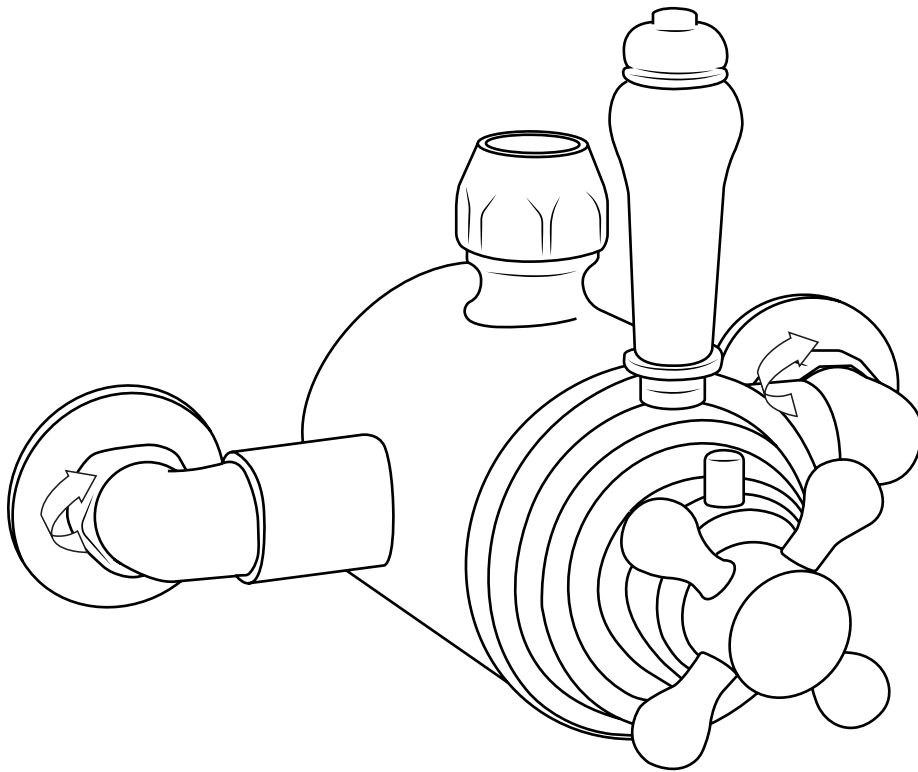
11



12



13



14

