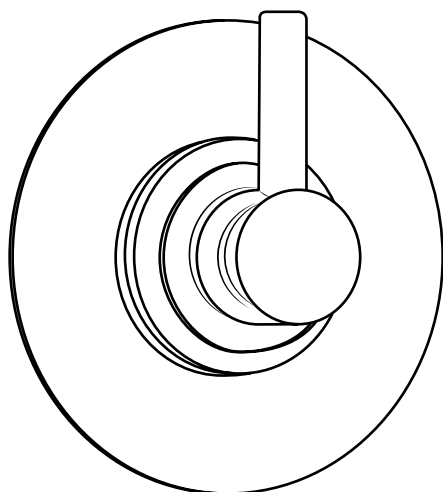



Hudson Reed

Diverter Valve

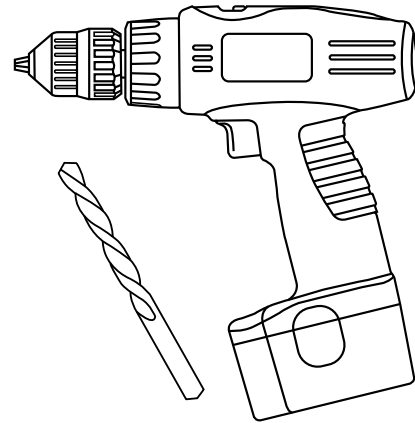
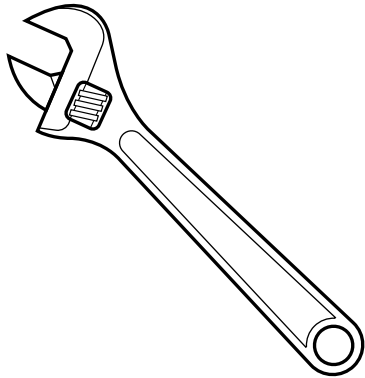
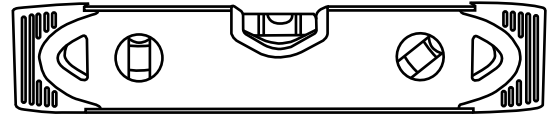
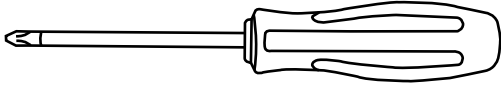


 Style may vary

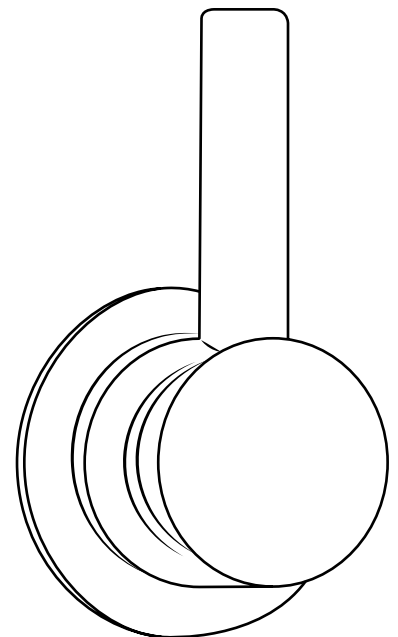
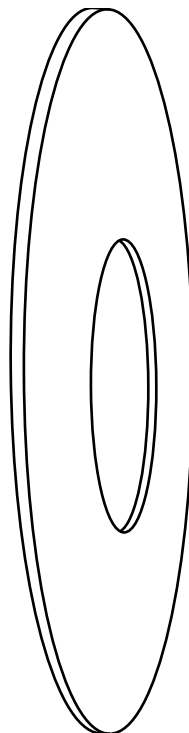
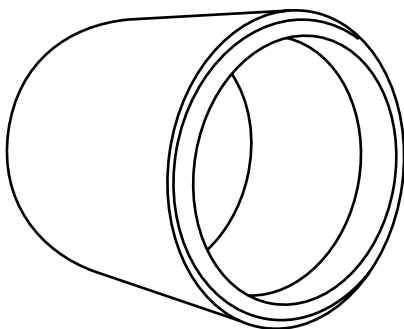
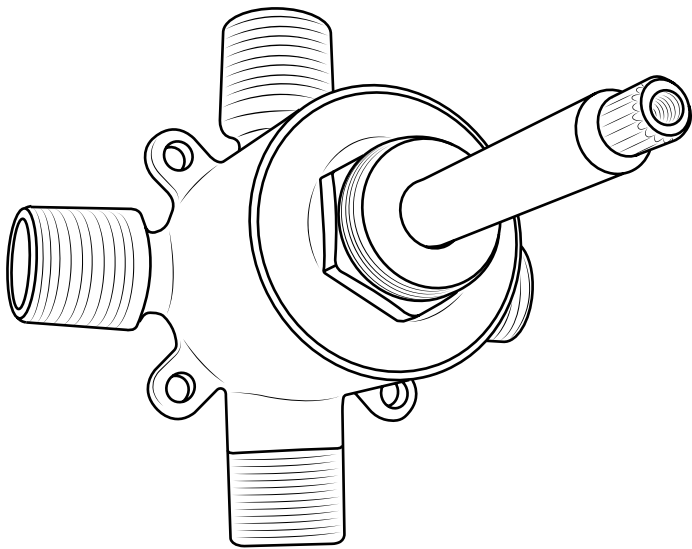
Installation Guide

Installation

Tools required for installing:

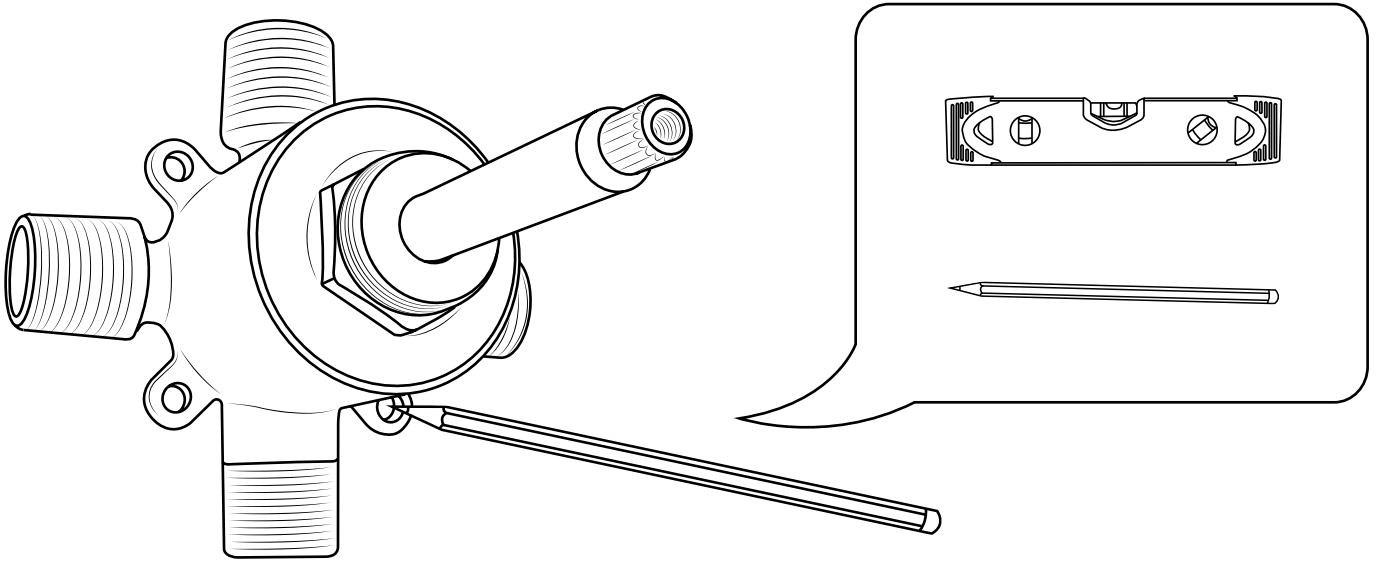


Parts included:

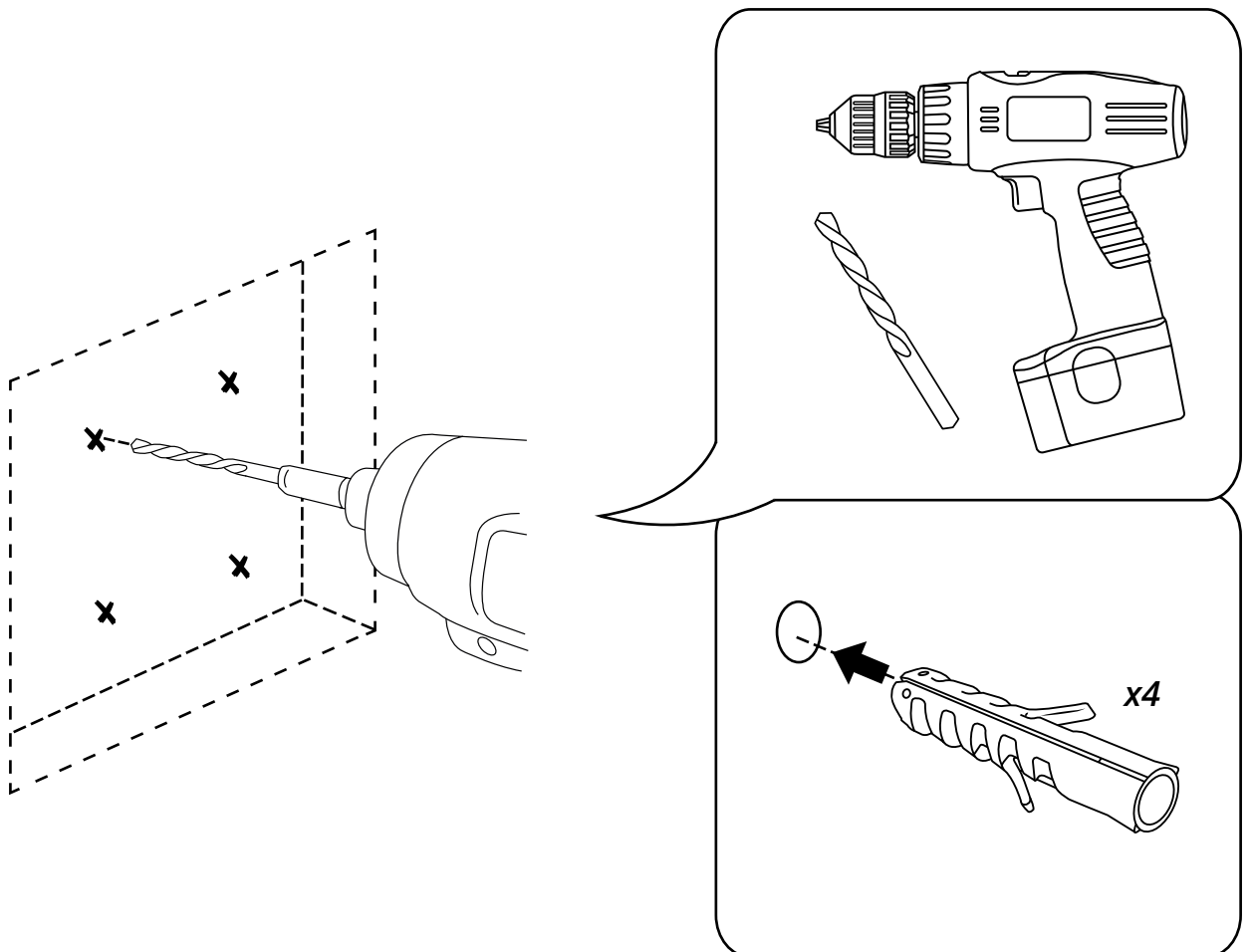


i Style may vary

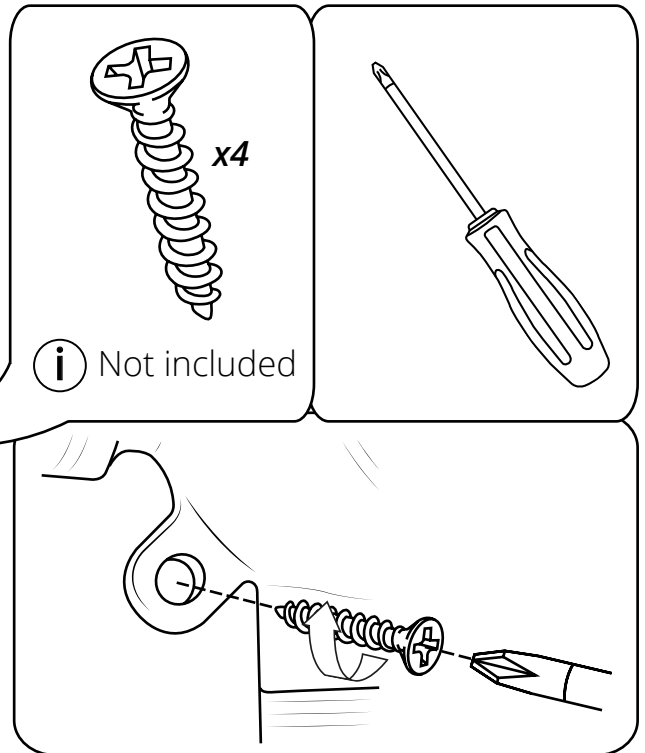
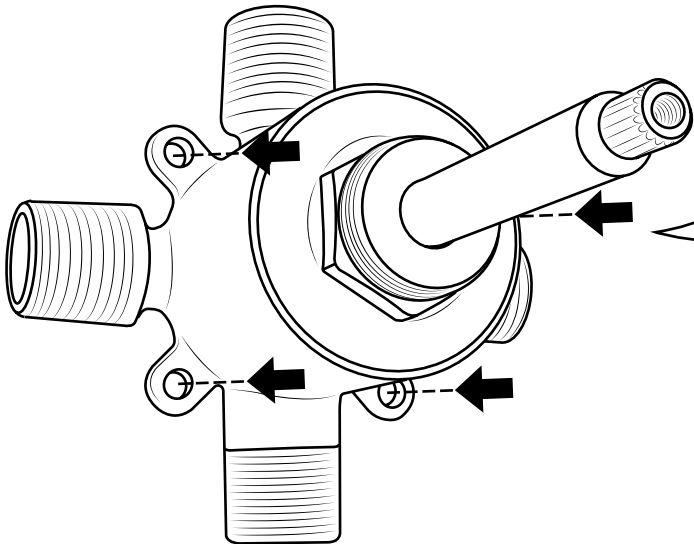
1



2

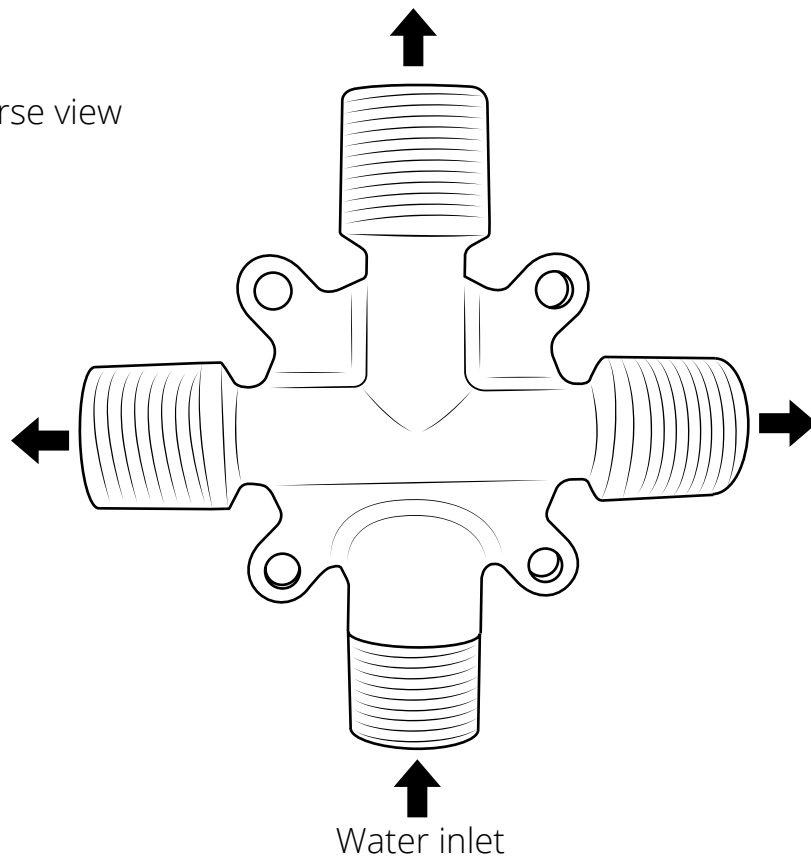


3

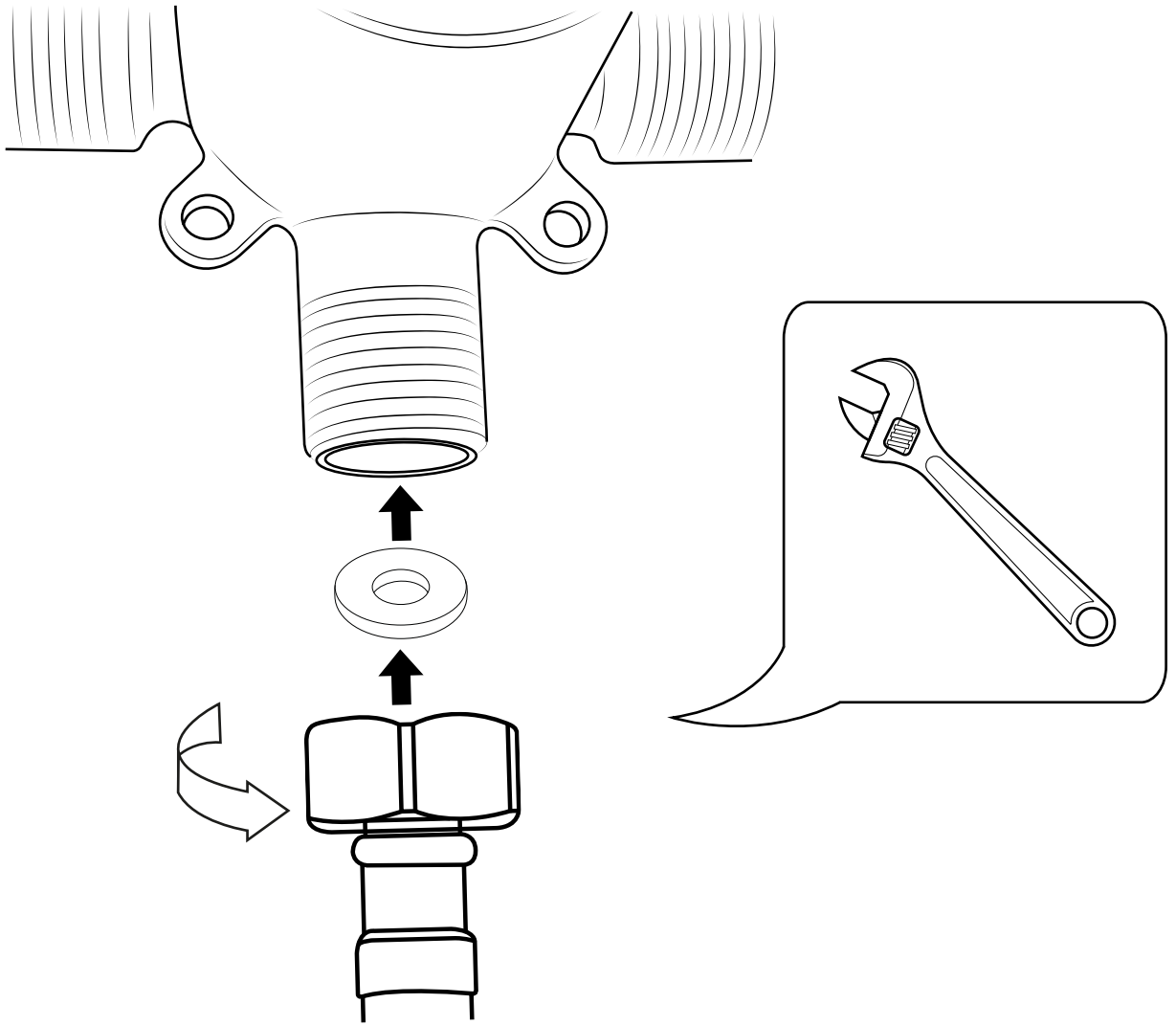


4

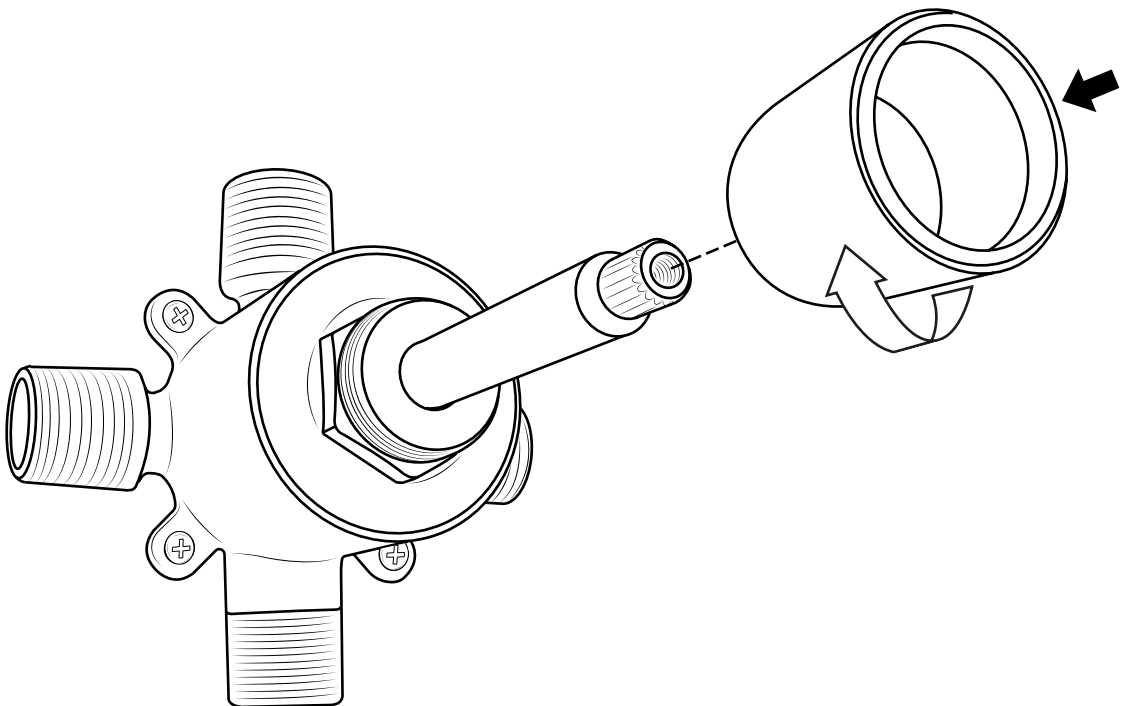
(i) Reverse view



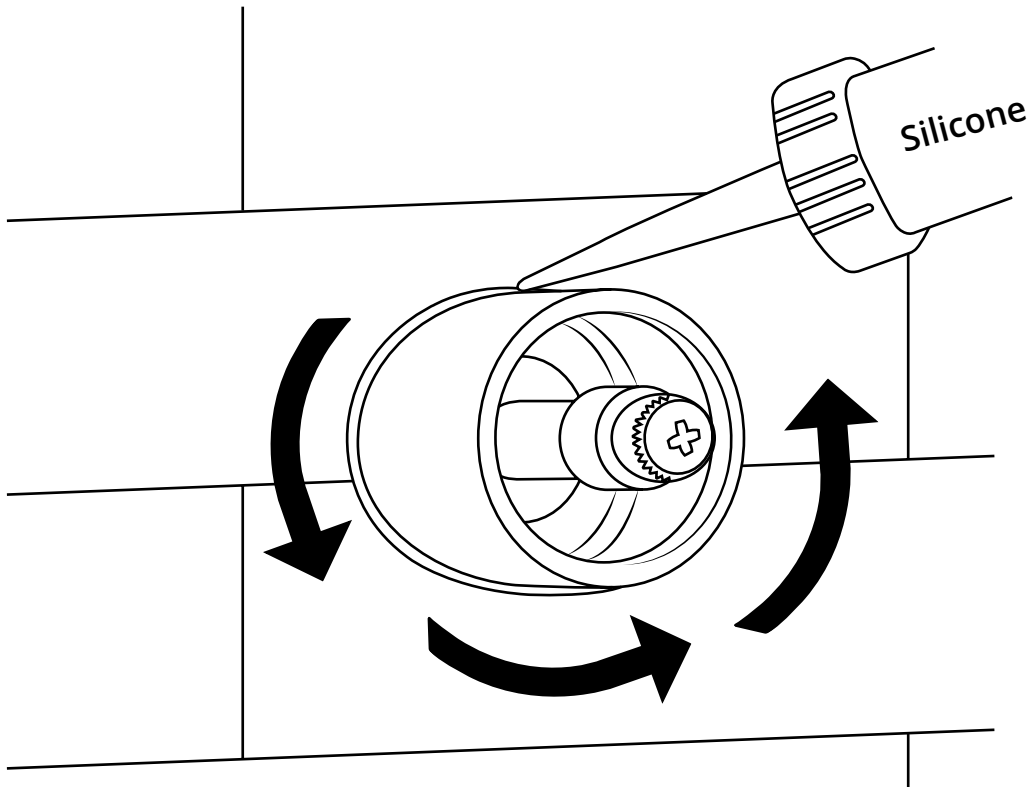
5



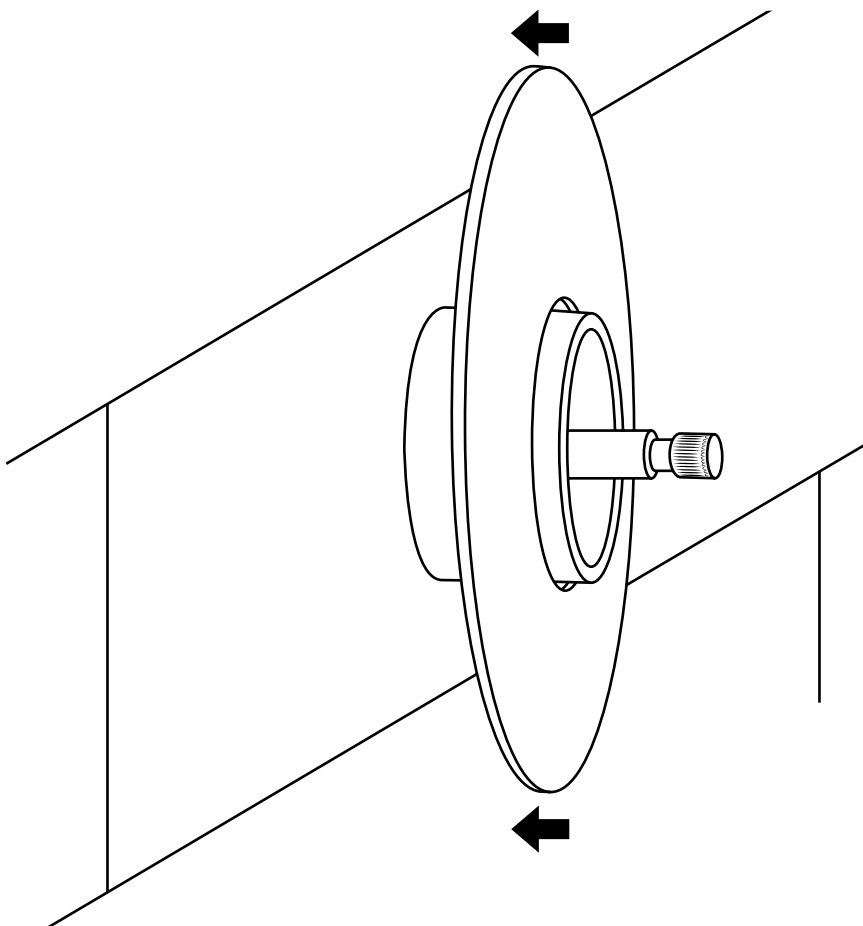
6



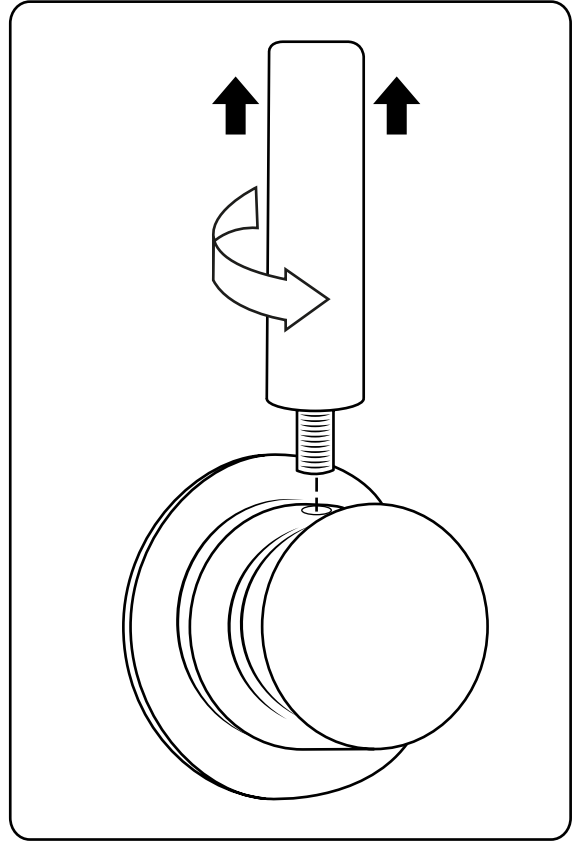
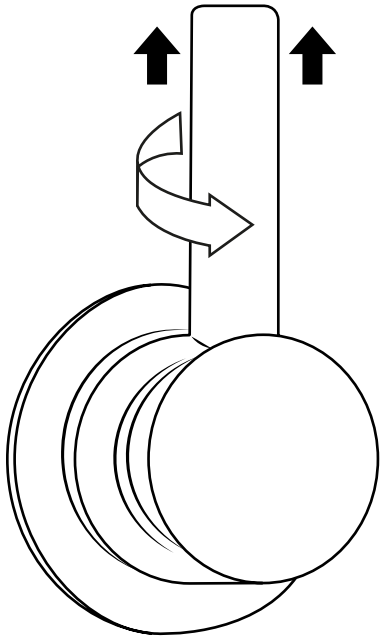
7



8

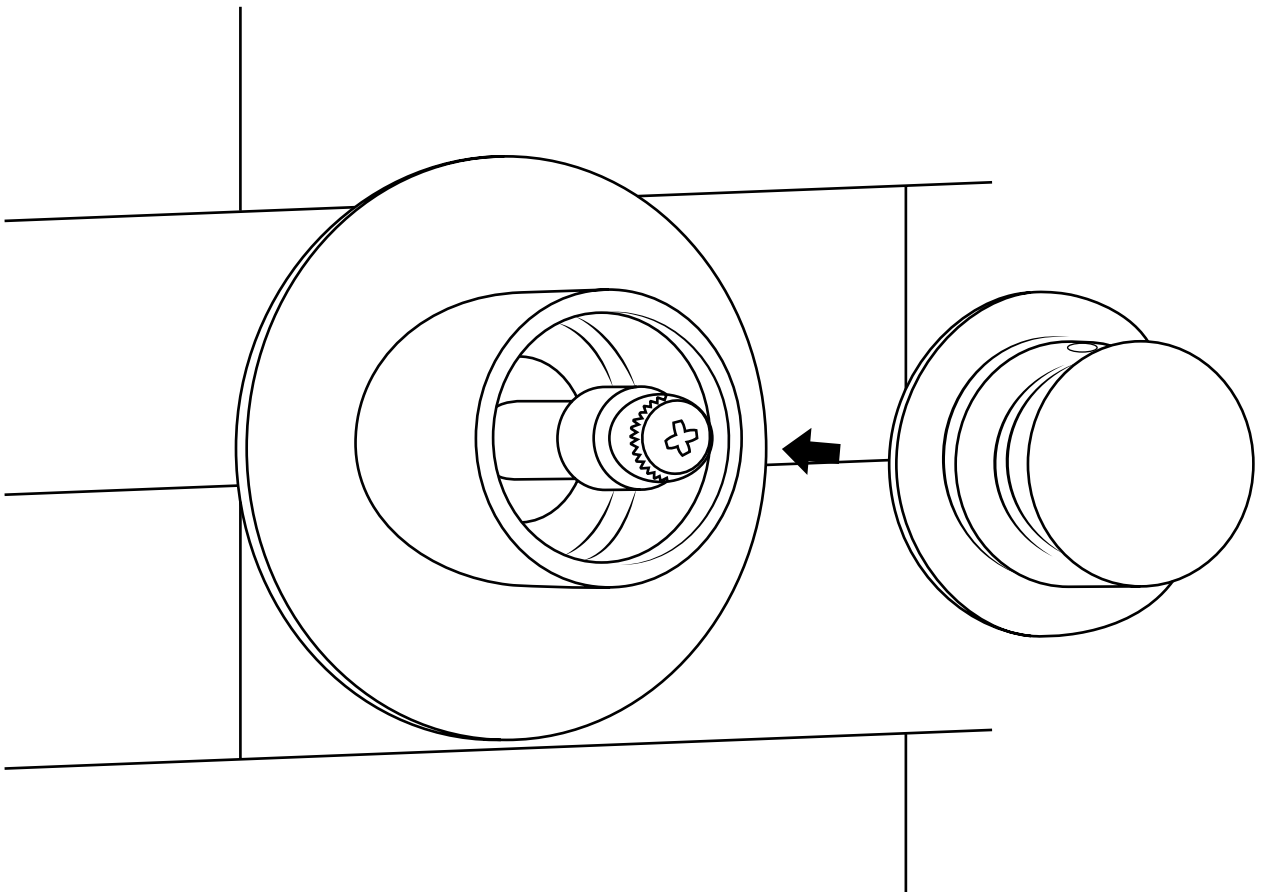


9

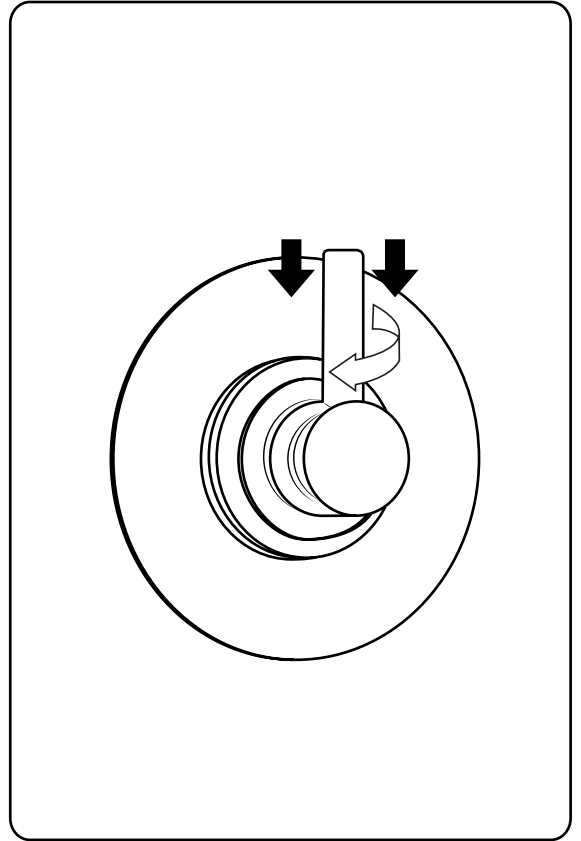
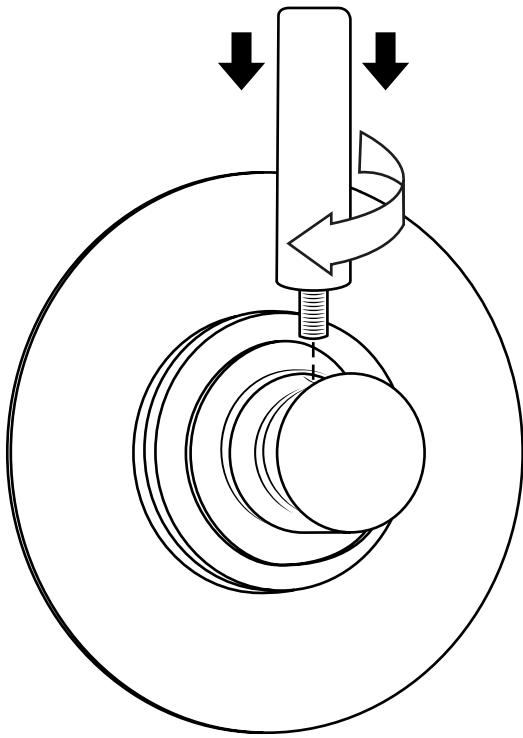


i Style may vary

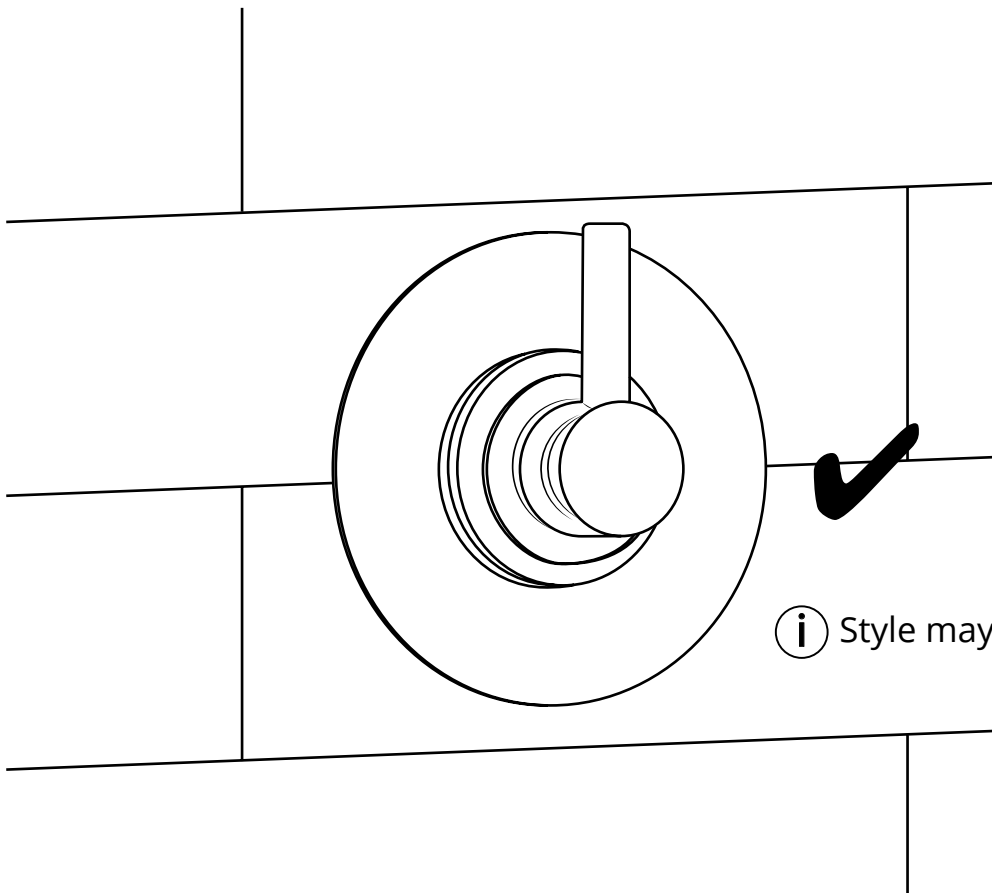
10



11



12



i Style may vary