

Hudson Reed

Designer Towel Bar

Installation Guide

Contents

Safety Information **Page - 2**

Installation **Page - 2**

Warranty Information **Page - 4**

Recycling & Disposal **Page - 4**

Contact us **Page - 4**

Safety Information

Please read carefully...

- ✓ Check that all parts are present in the box and that they are undamaged.
- ✗ DO NOT attempt to modify this product in any way.
- ✓ If you are unsure how to install this product, please consult a qualified installer or contact us directly.

Installation

Parts needed:

Designer Towel Bar

Tools required for installing:

1. Cross head screwdriver
2. Drill
3. 8mm Drill Bit
4. Mallet

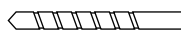
1



2

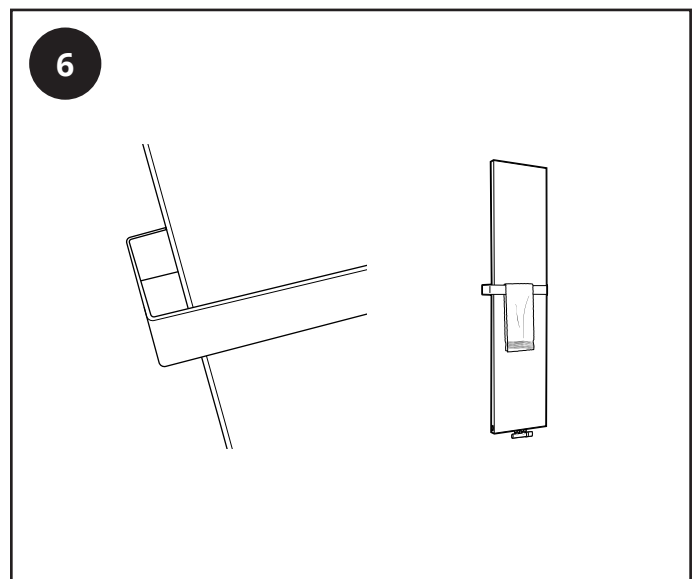
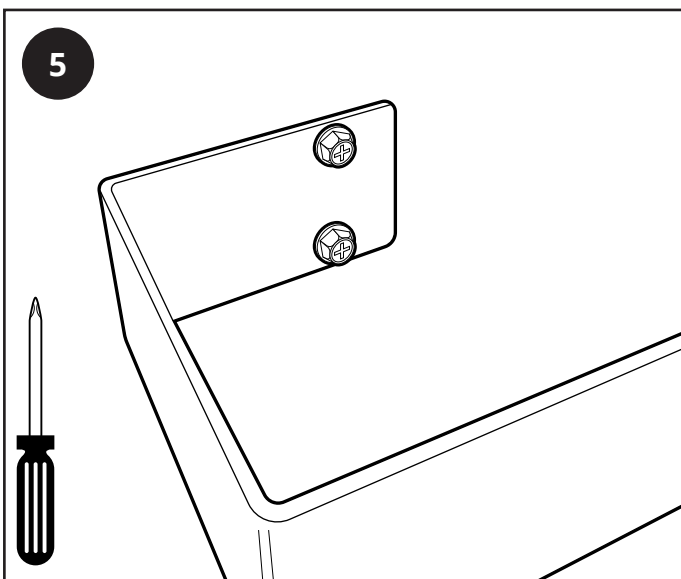
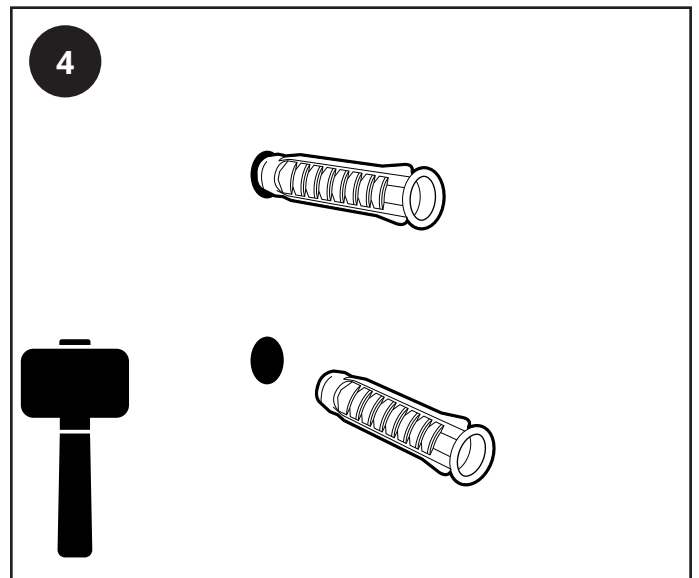
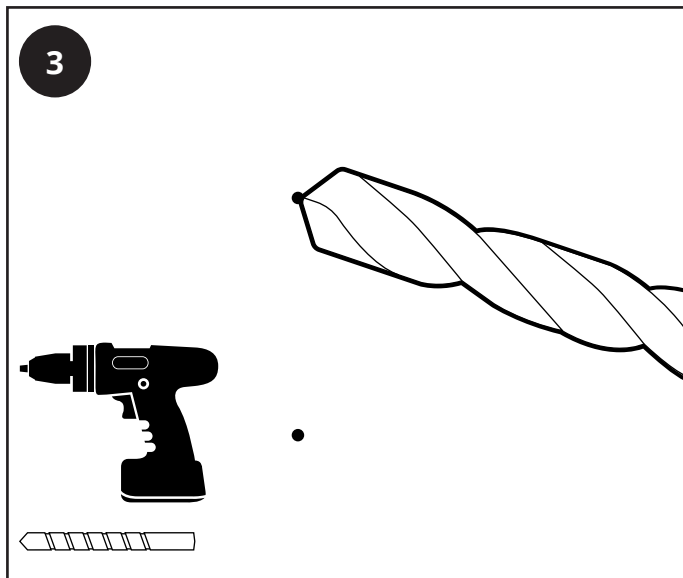
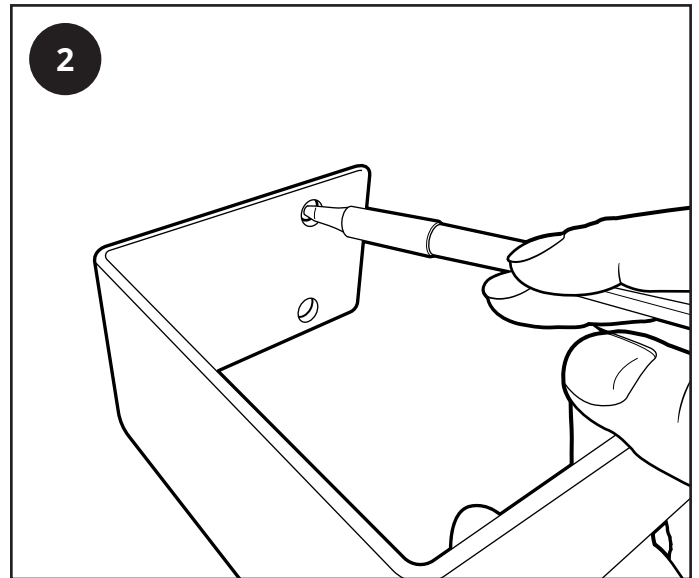
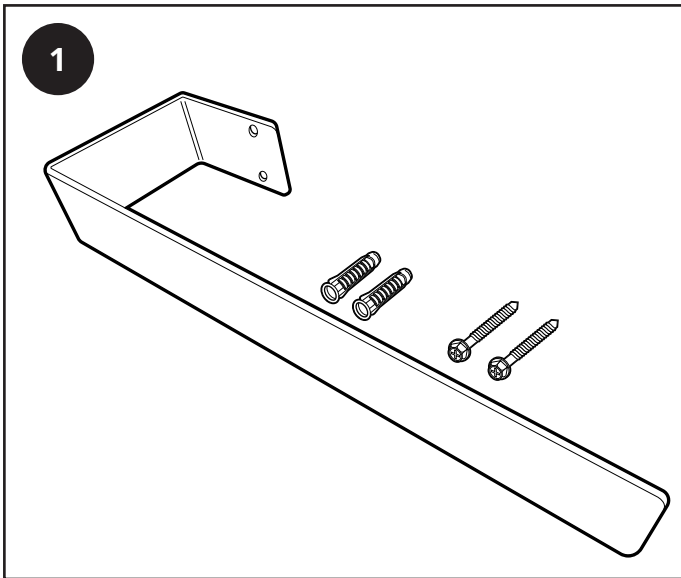


3



4





Warranty Information

- *This product is covered by a 2 year guarantee.*
- *The guarantee starts from the date of purchase.*
- *The guarantee covers you against issues caused as a result of manufacturing related issues, it does not apply to issues that are found to be a result of poor installation.*
- *Labour costs for installation of the product are not covered under this warranty.*

Aftercare

Clean any marks with a soft dry cloth, for stubborn stains please clean with mild soapy water and buff out with a soft cloth.

DO NOT use abrasive or acidic cleaners, if you are unsure, please contact us first.

Recycling & Disposal

Please recycle / dispose of this product in accordance with your local council / government guidelines.

Contact Us

HUDSON REED

Unit 1&2

Burnley

BB11 5UG

TEL:

(FR) 0044 1282 471591 (DE) 0044 1282 477975

(ES) 0044 1282 477974 (IT) 0044 1282 477973

(NL) 0044 1282 471396 (FR/CA) 00441282 477980

(CA/USA) 0044 1282 477980