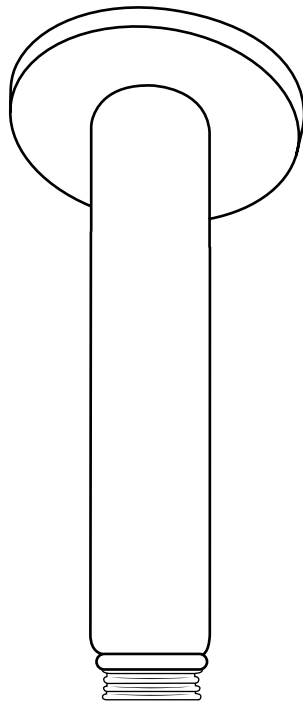


# Hudson Reed

Ceiling Mounted Shower Arm



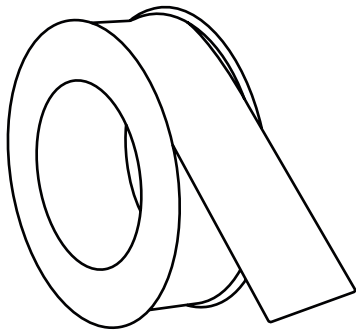
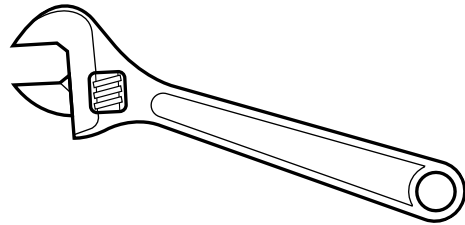
Installation Guide

Style may vary

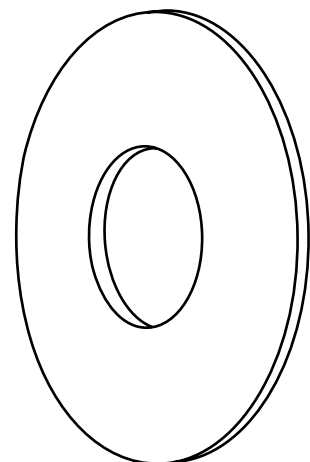
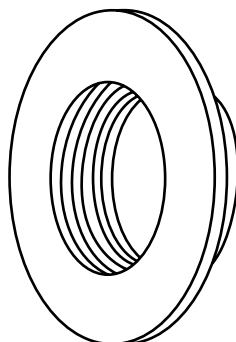
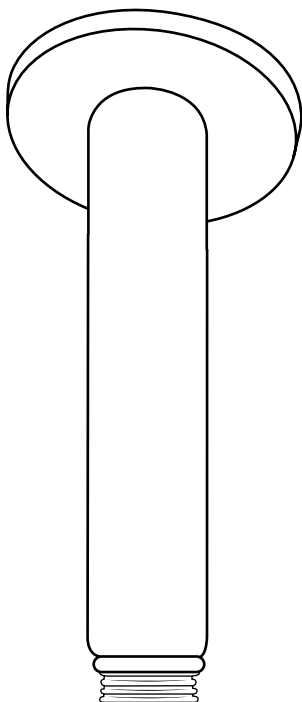
# Installation

---

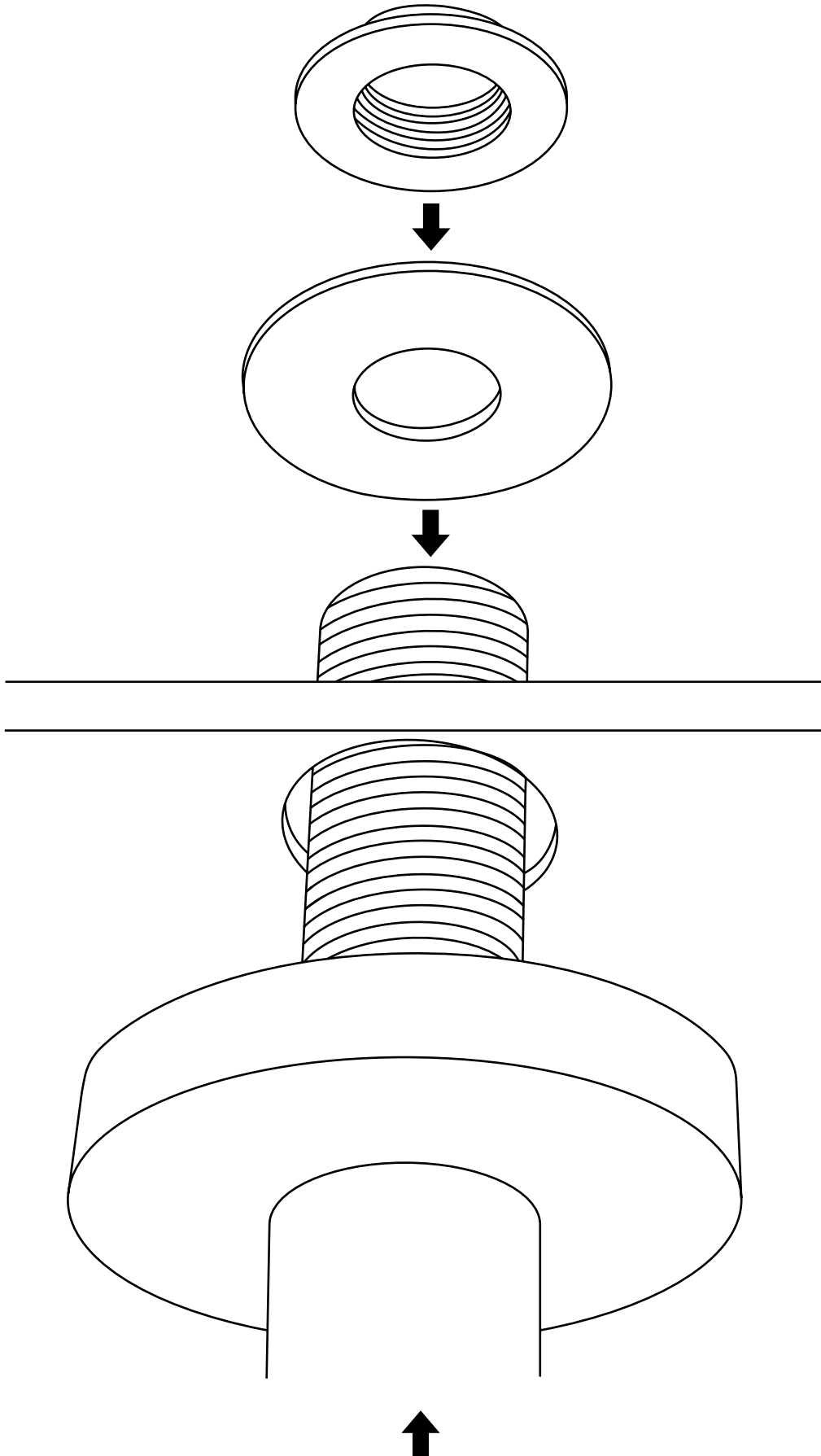
## *Tools required for installing:*



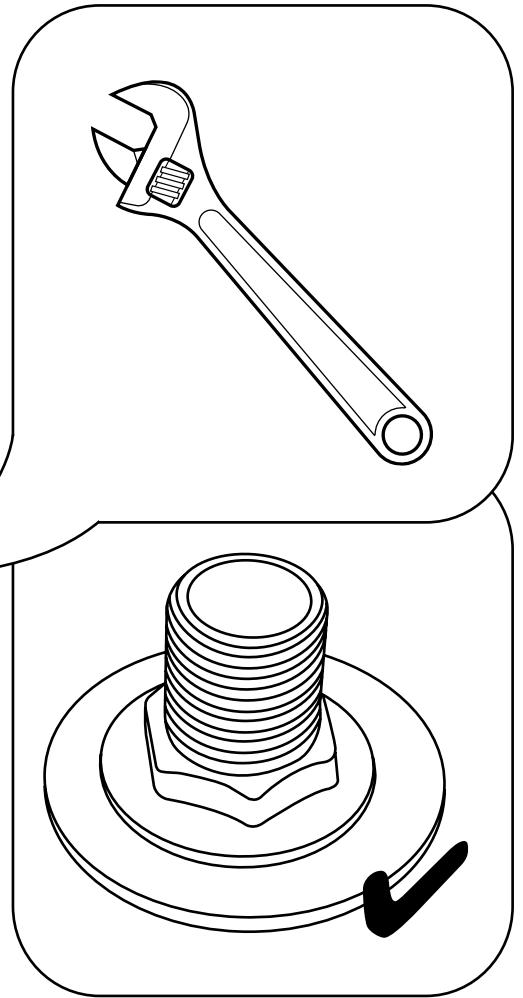
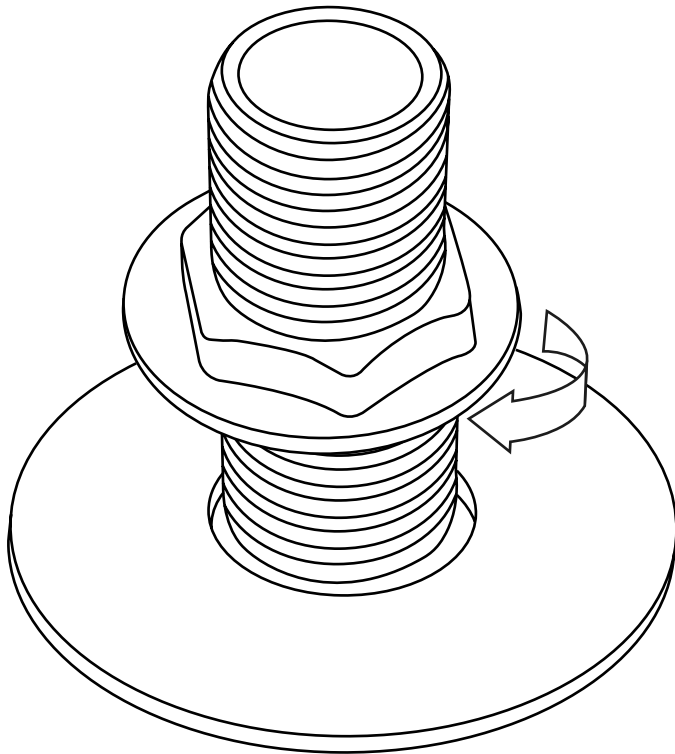
## *Parts included:*



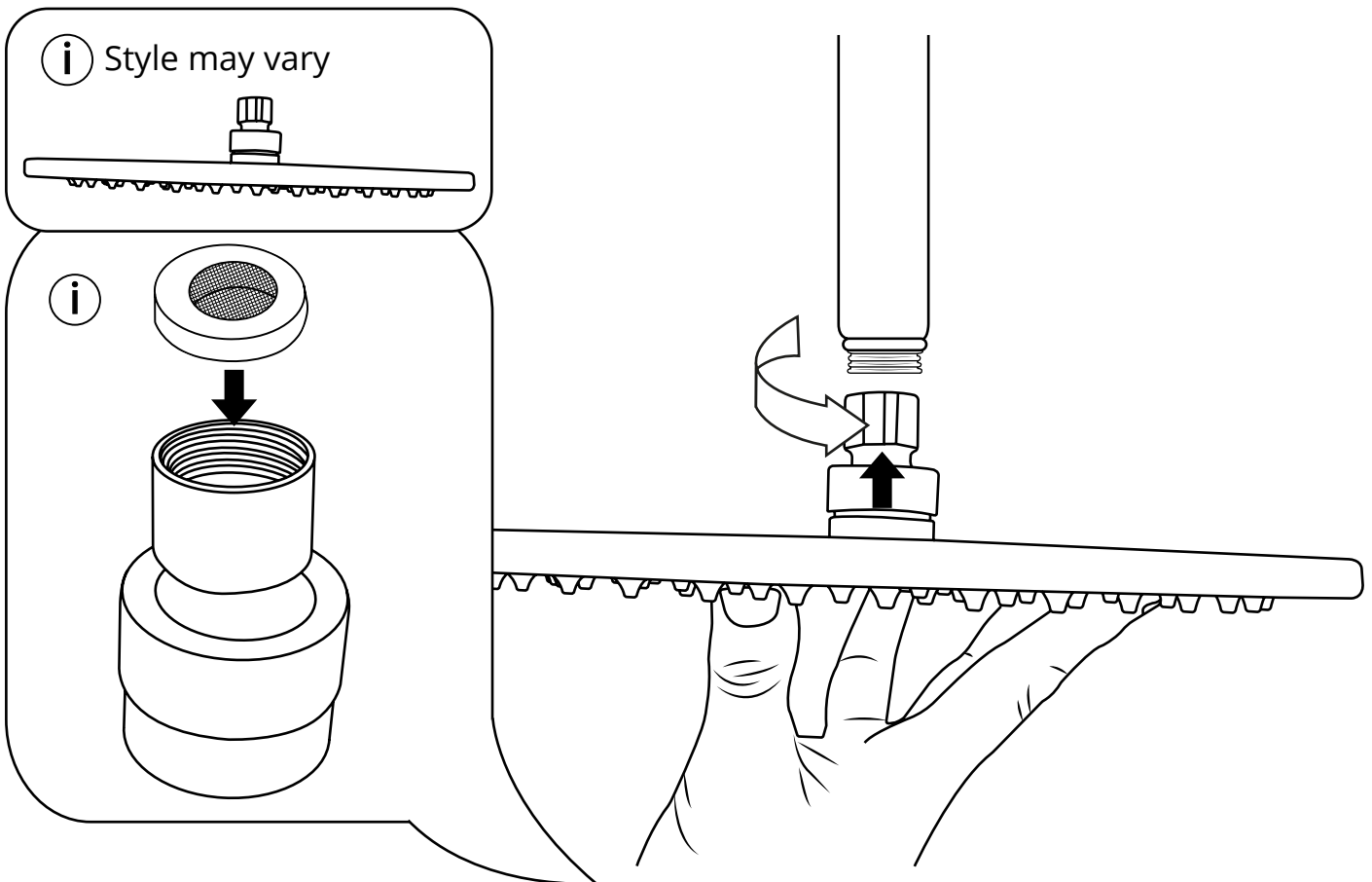
1



2



3



If you require any additional information or have any issues with this product please refer to the website.