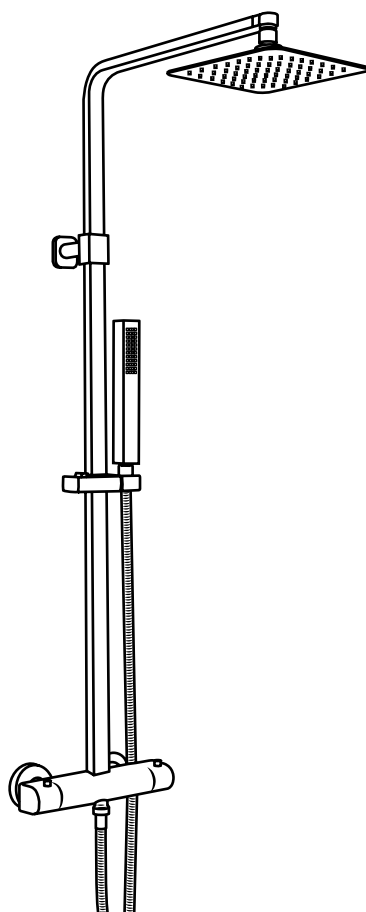



Hudson Reed

Bar Valve with Kit

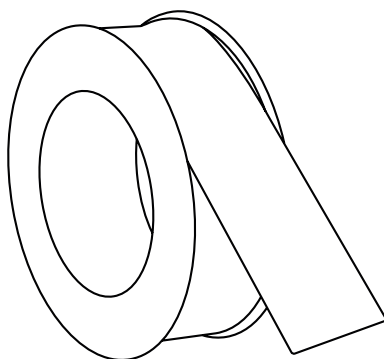
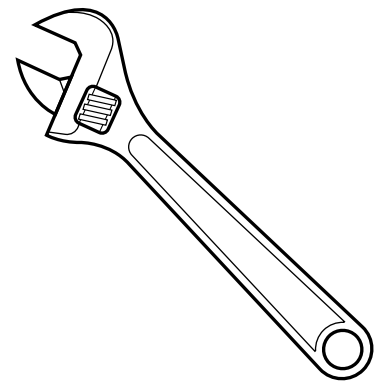
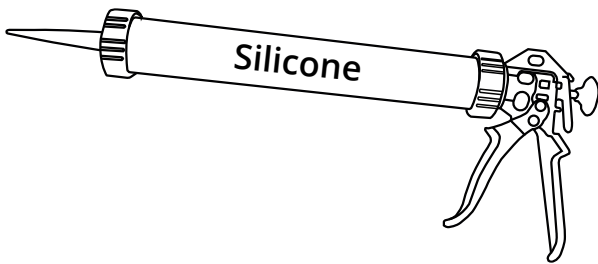
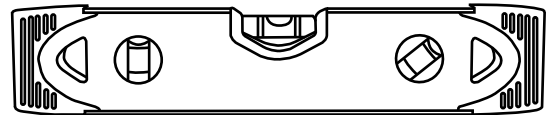
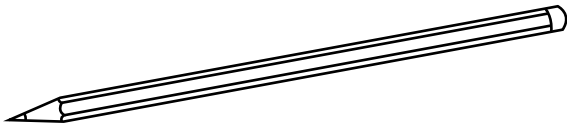


 Style may vary

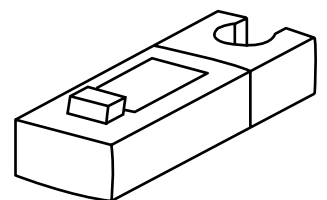
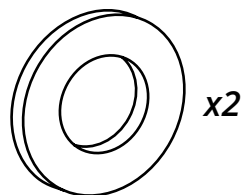
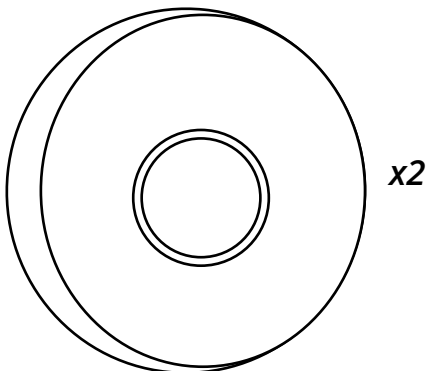
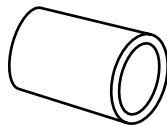
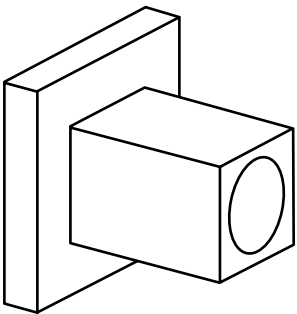
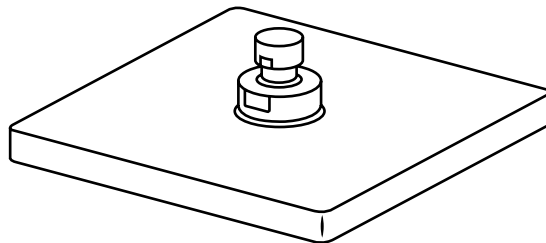
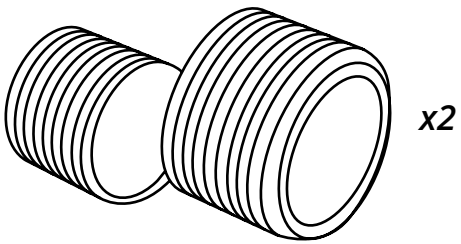
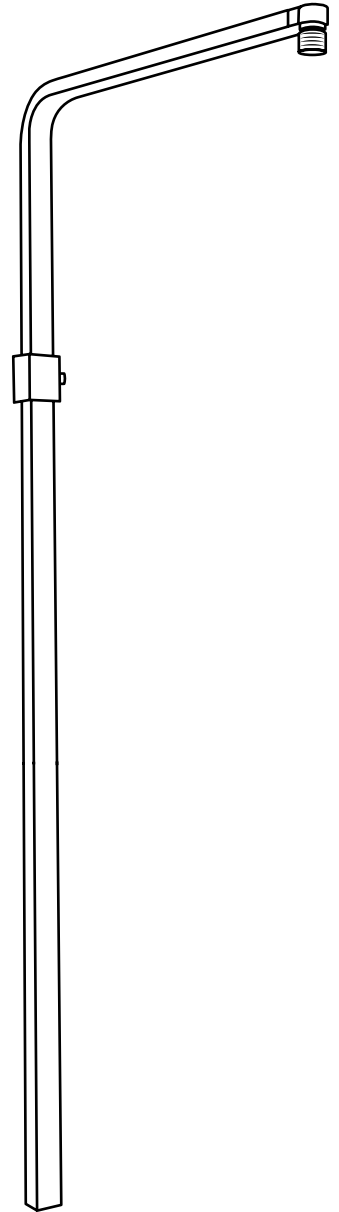
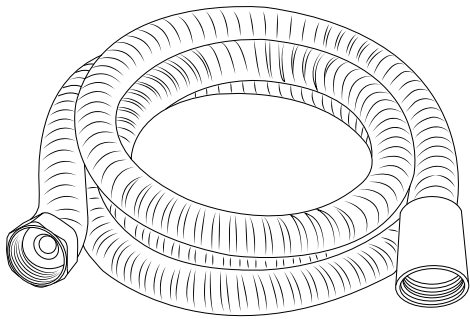
Installation Guide

Installation

Tools required for installing:

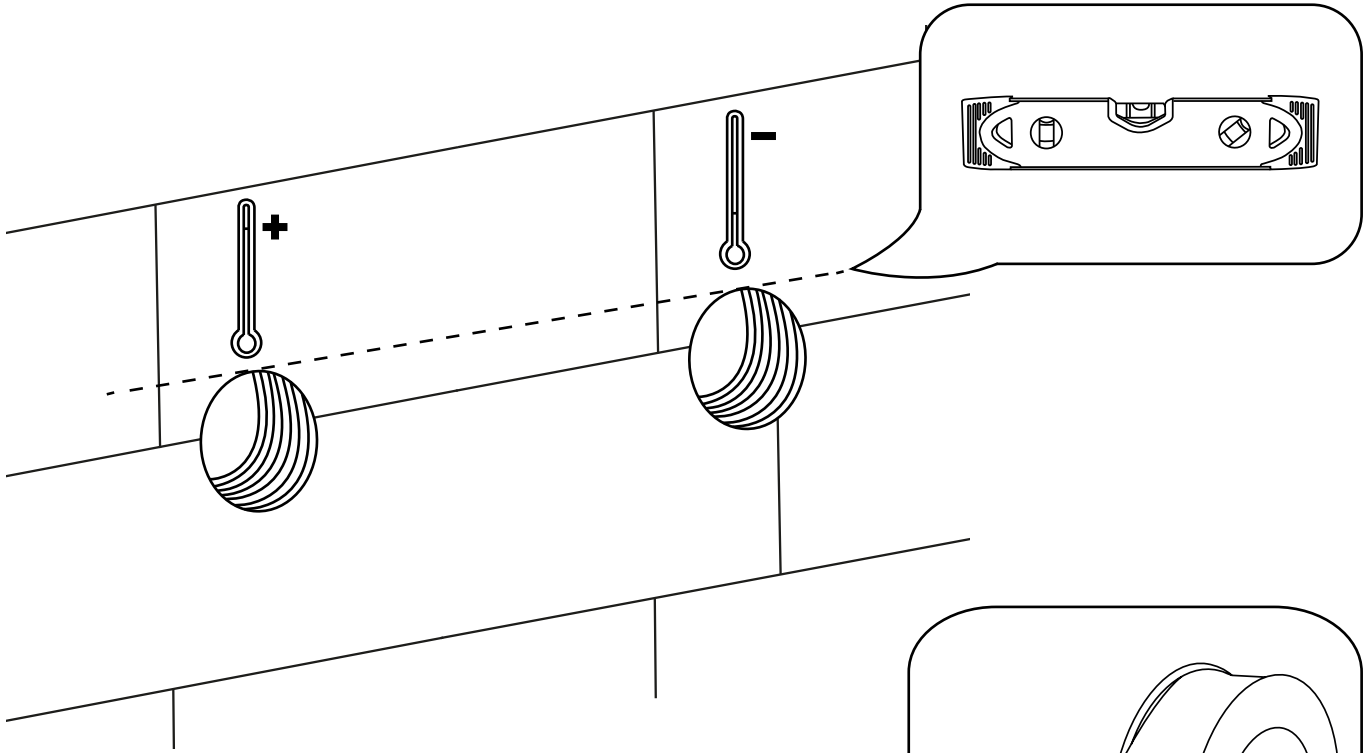


Parts included:

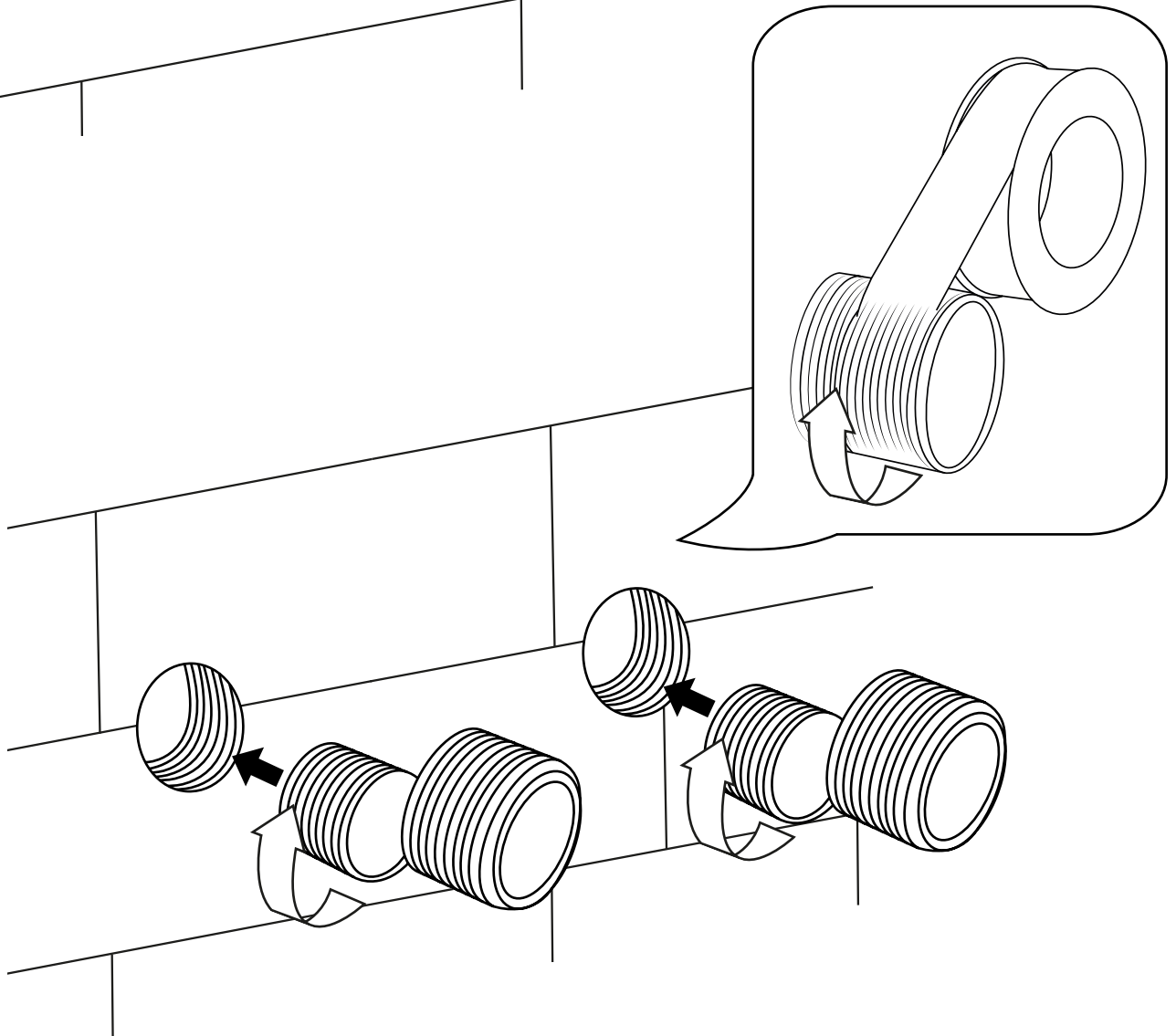


i Style may vary

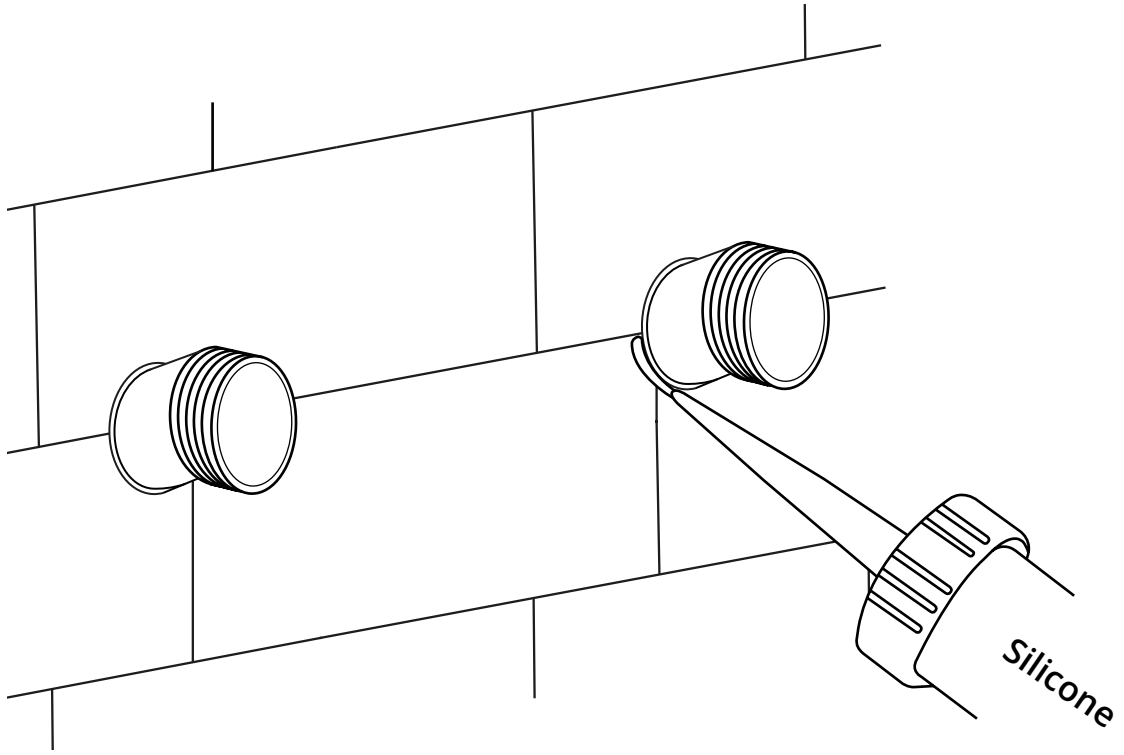
1



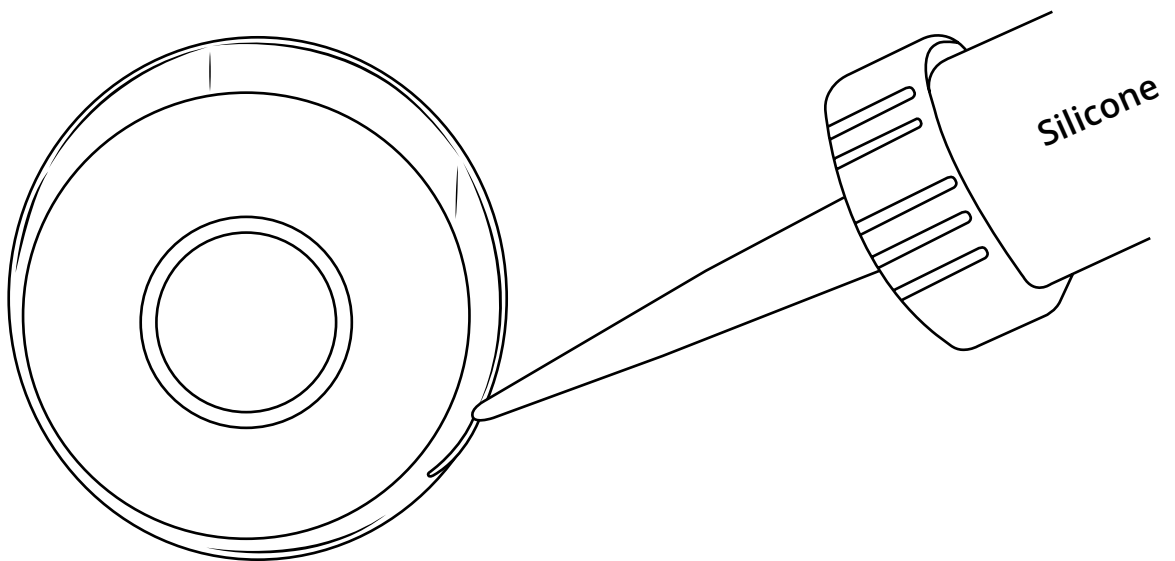
2



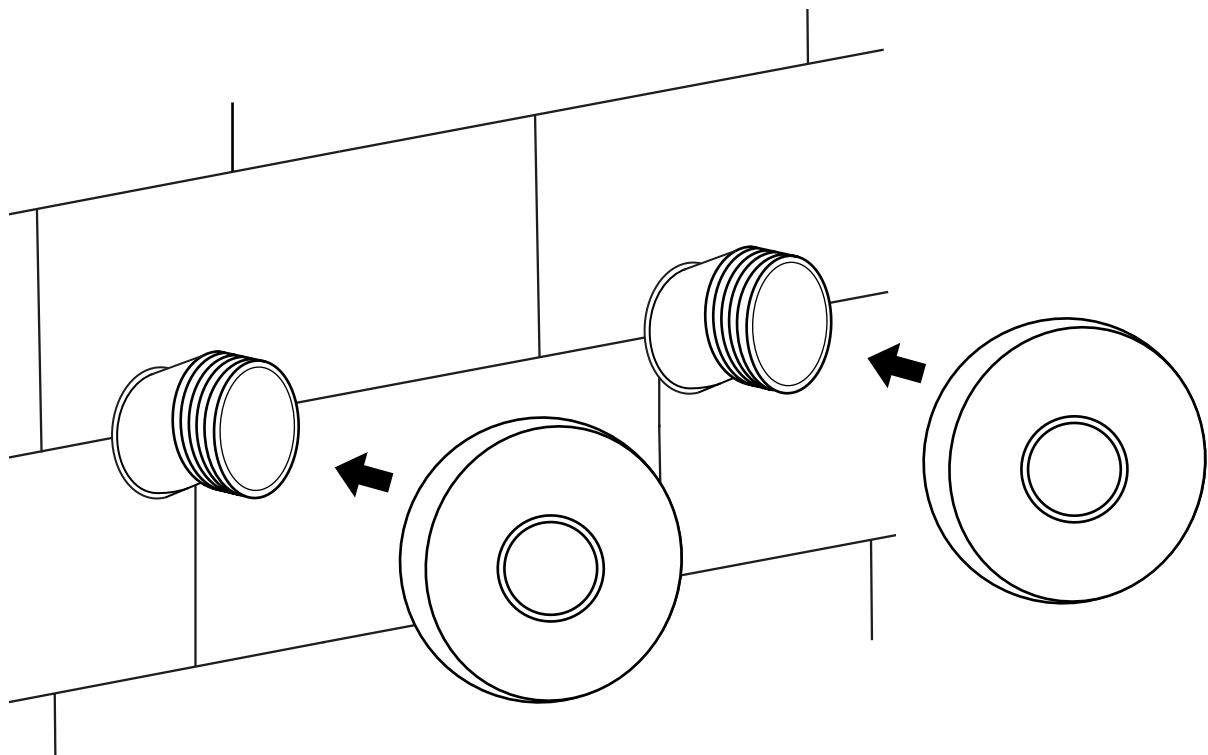
3



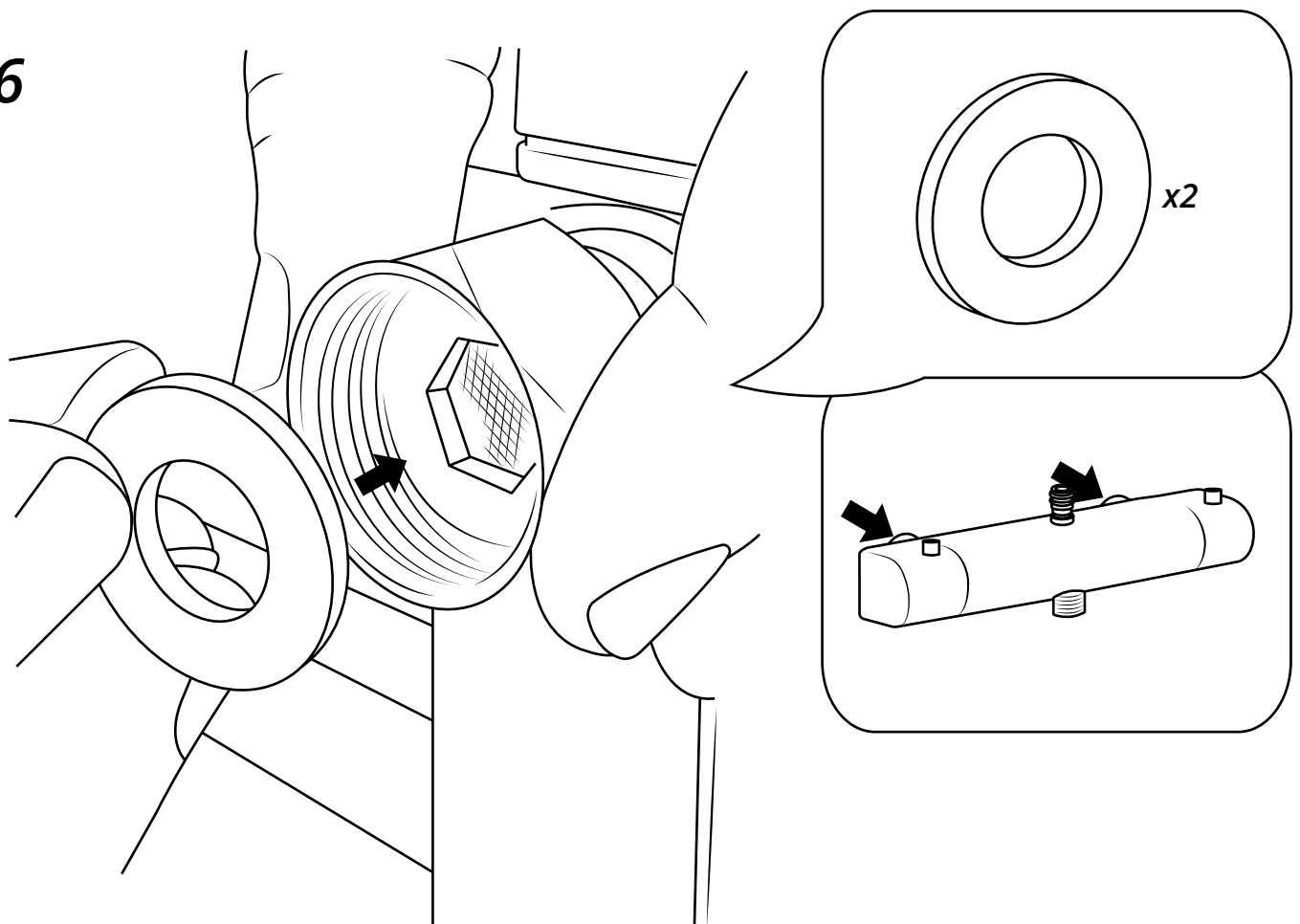
4



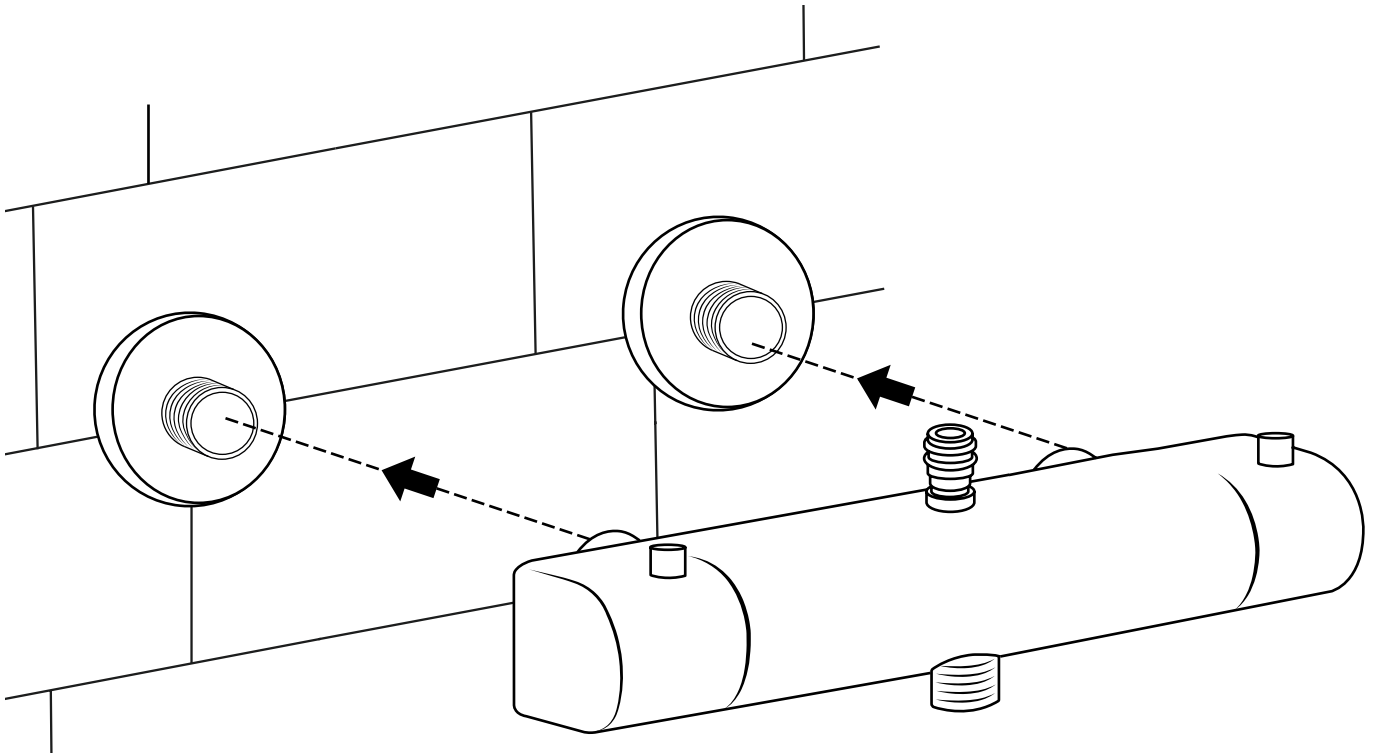
5



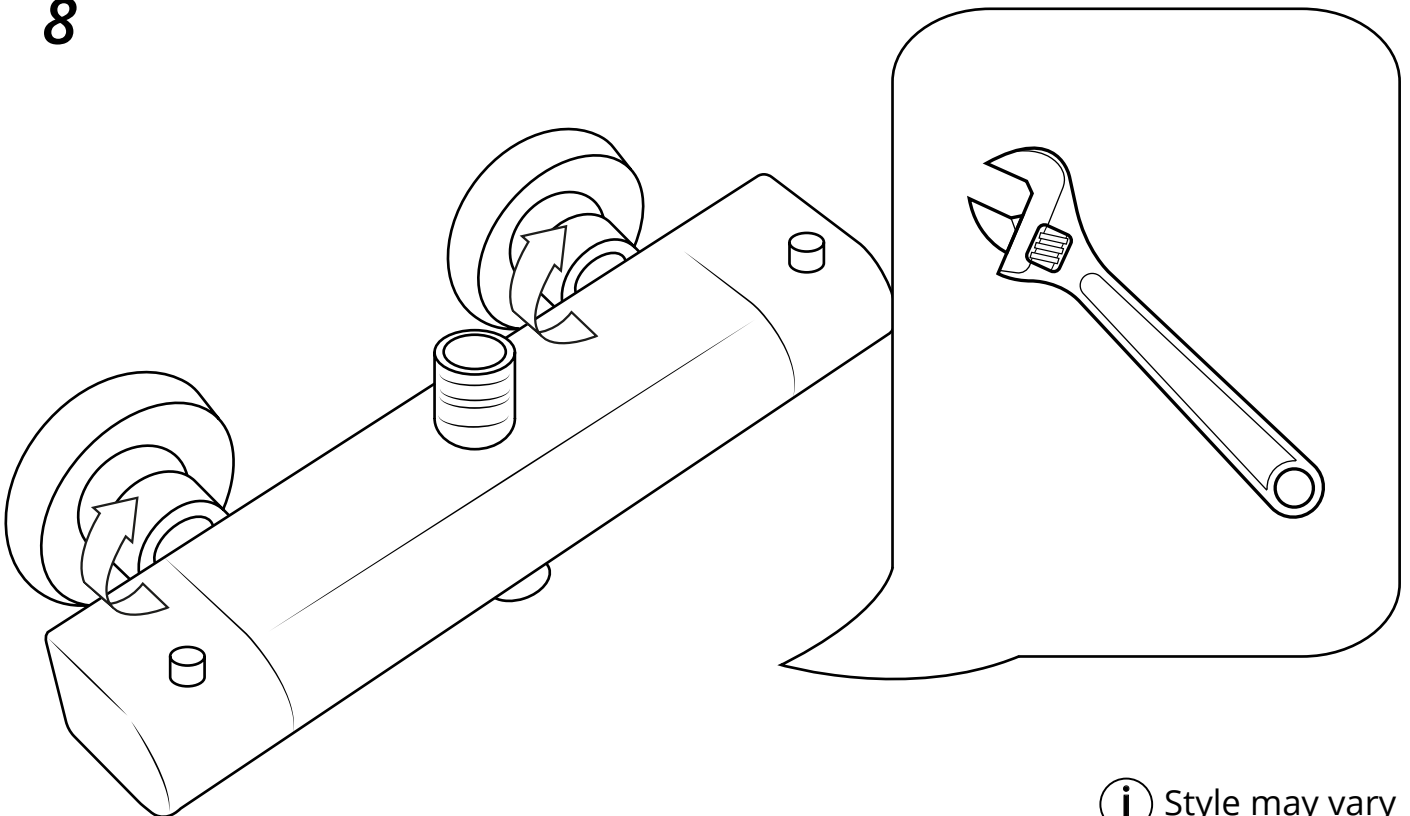
6



7

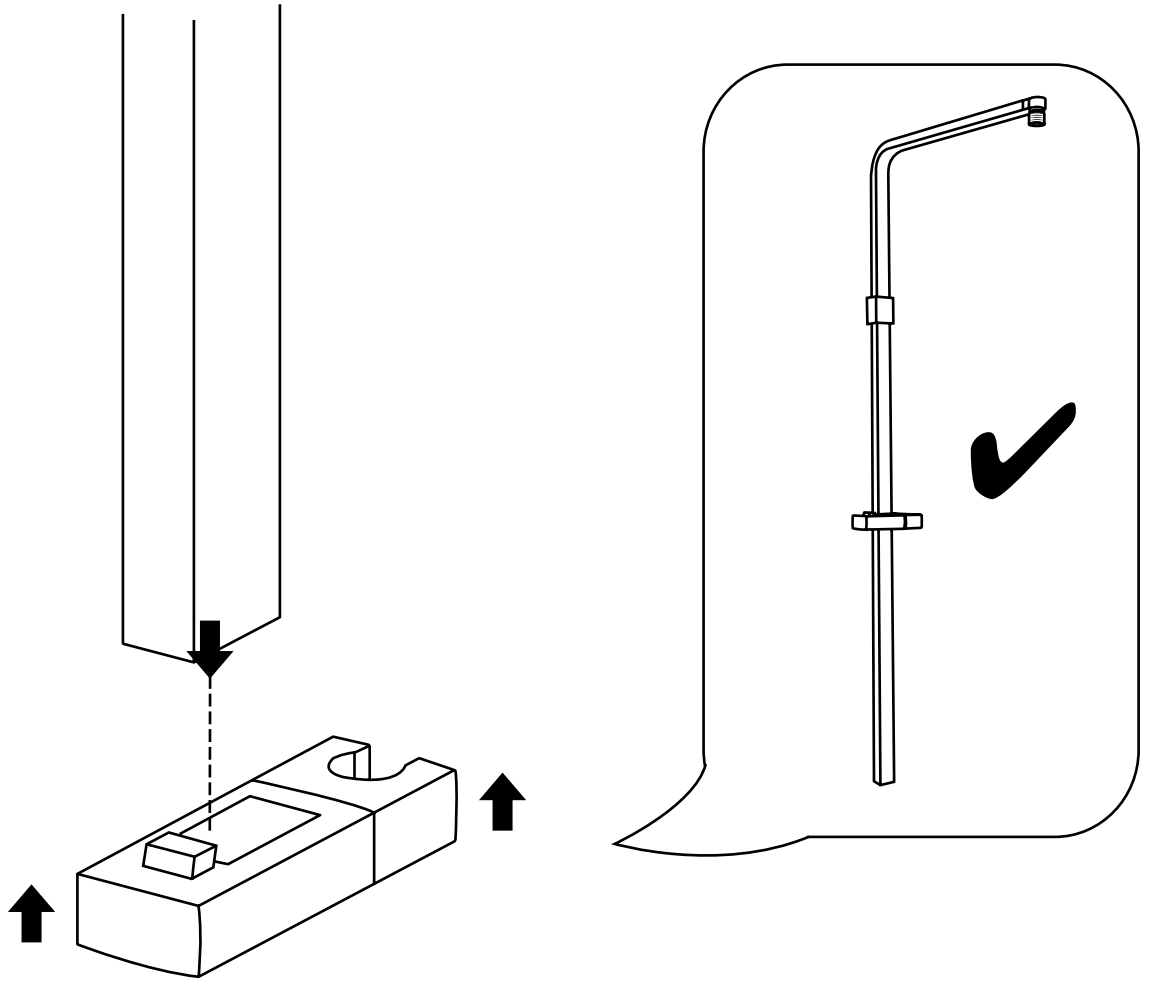


8

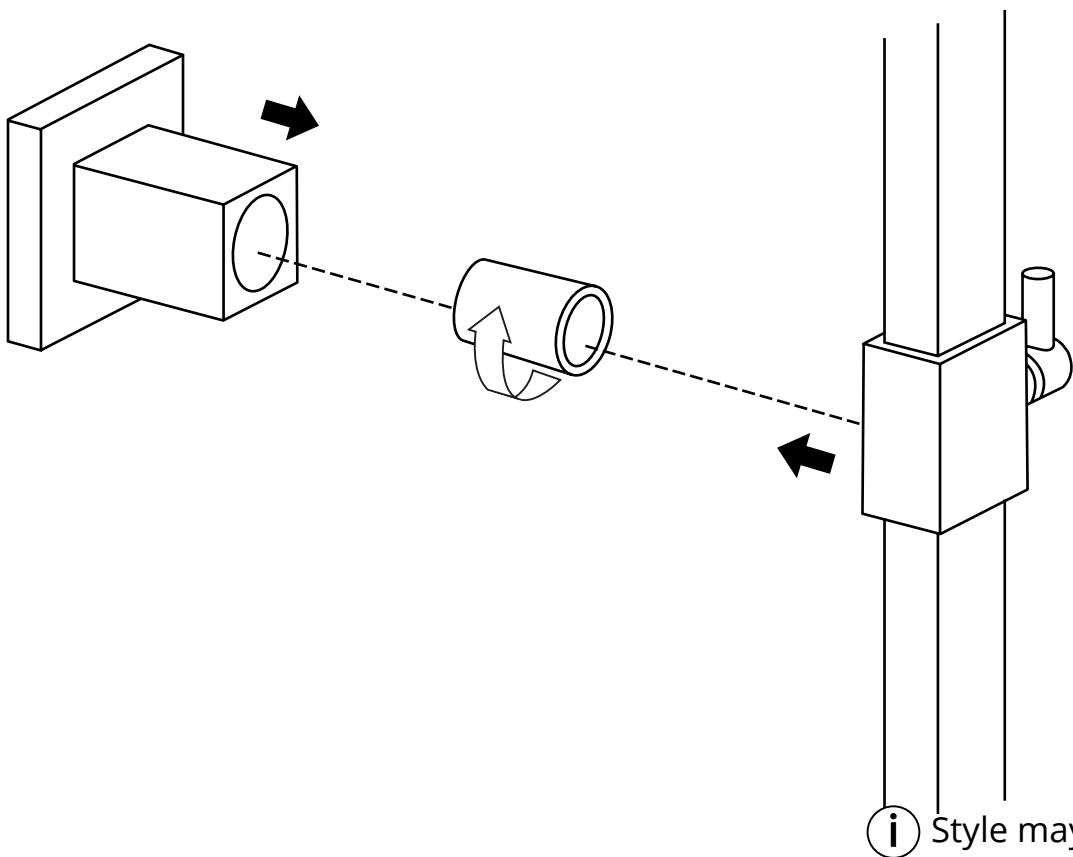


i Style may vary

9

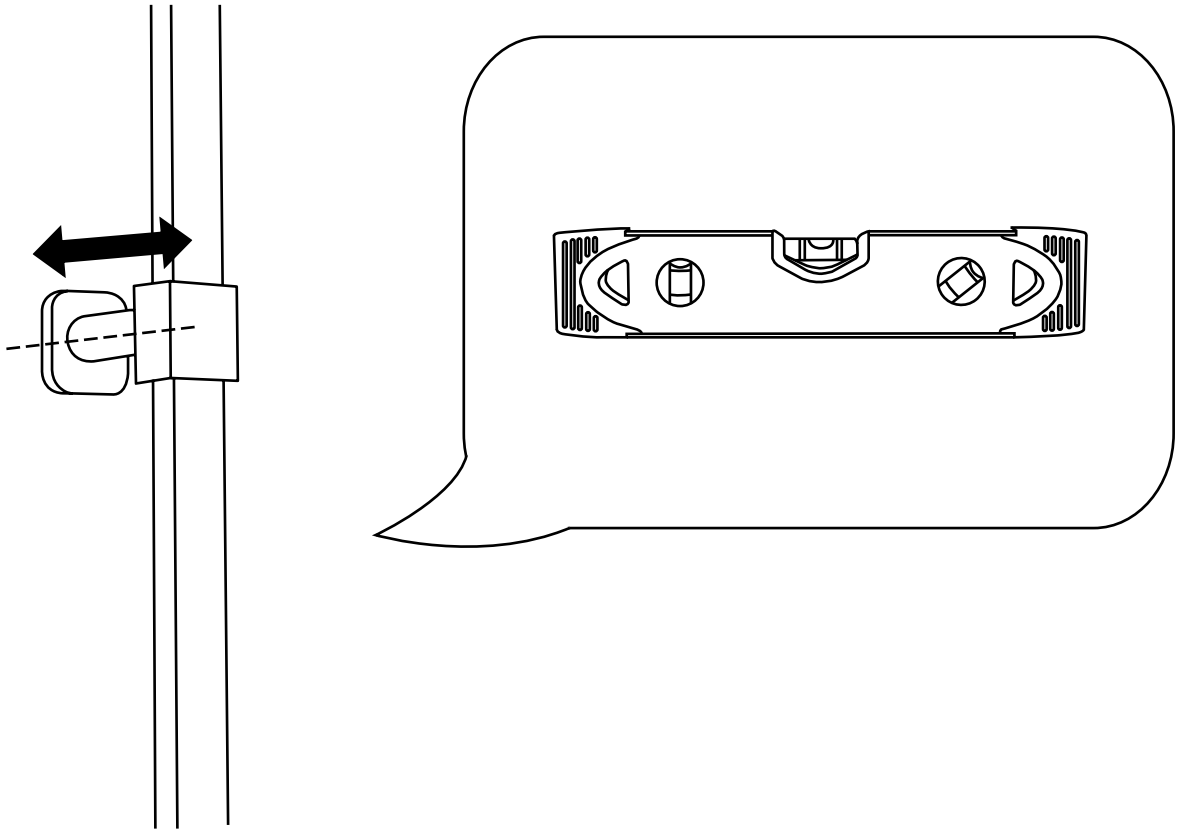


10

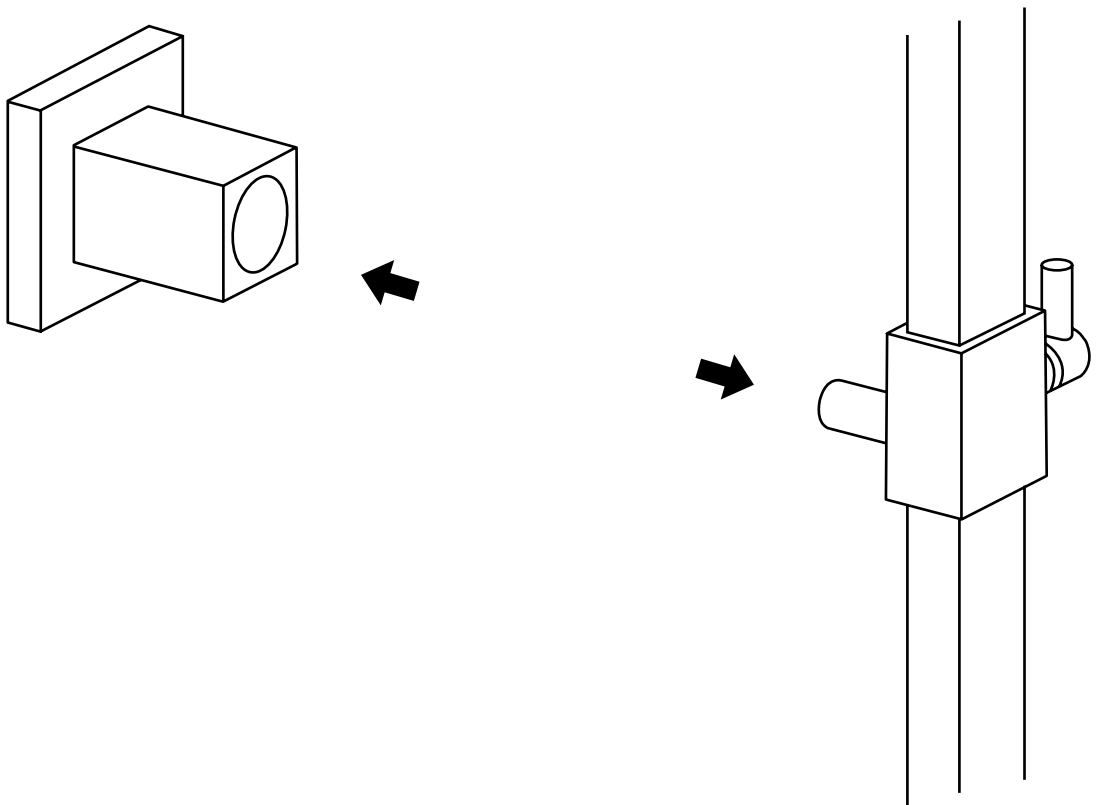


(i) Style may vary

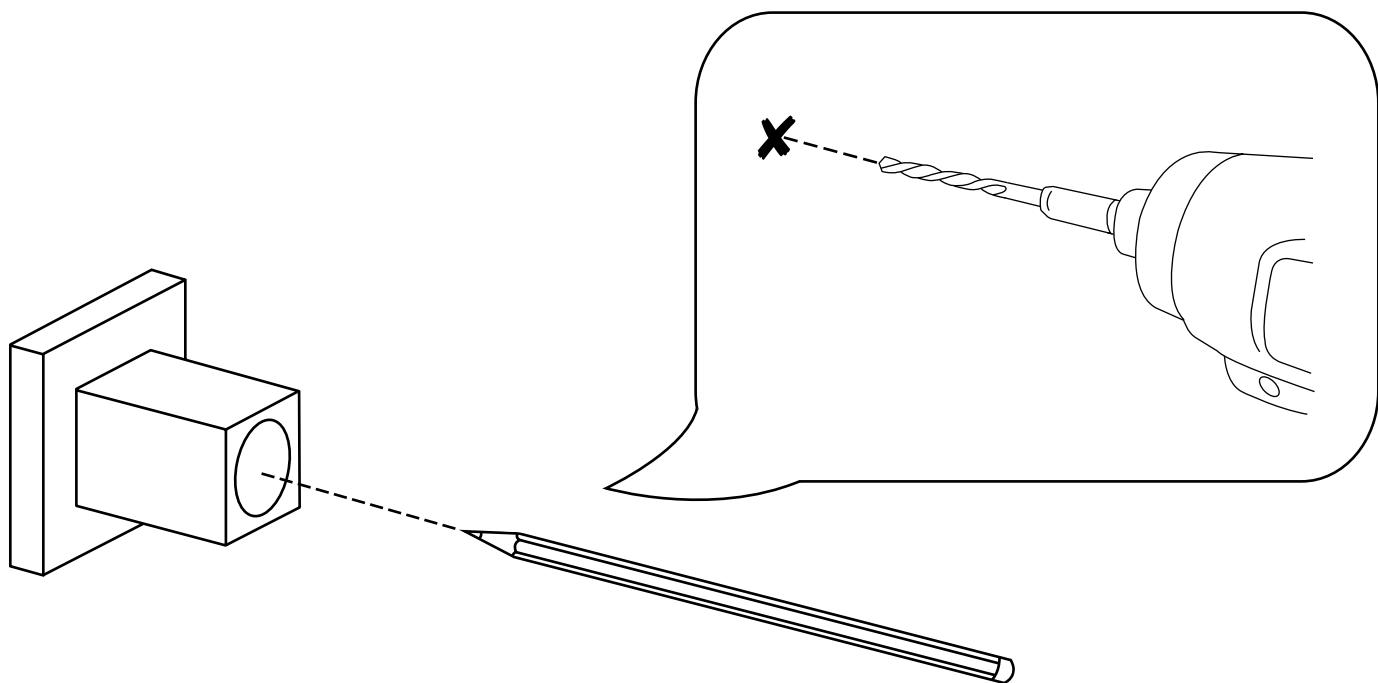
11



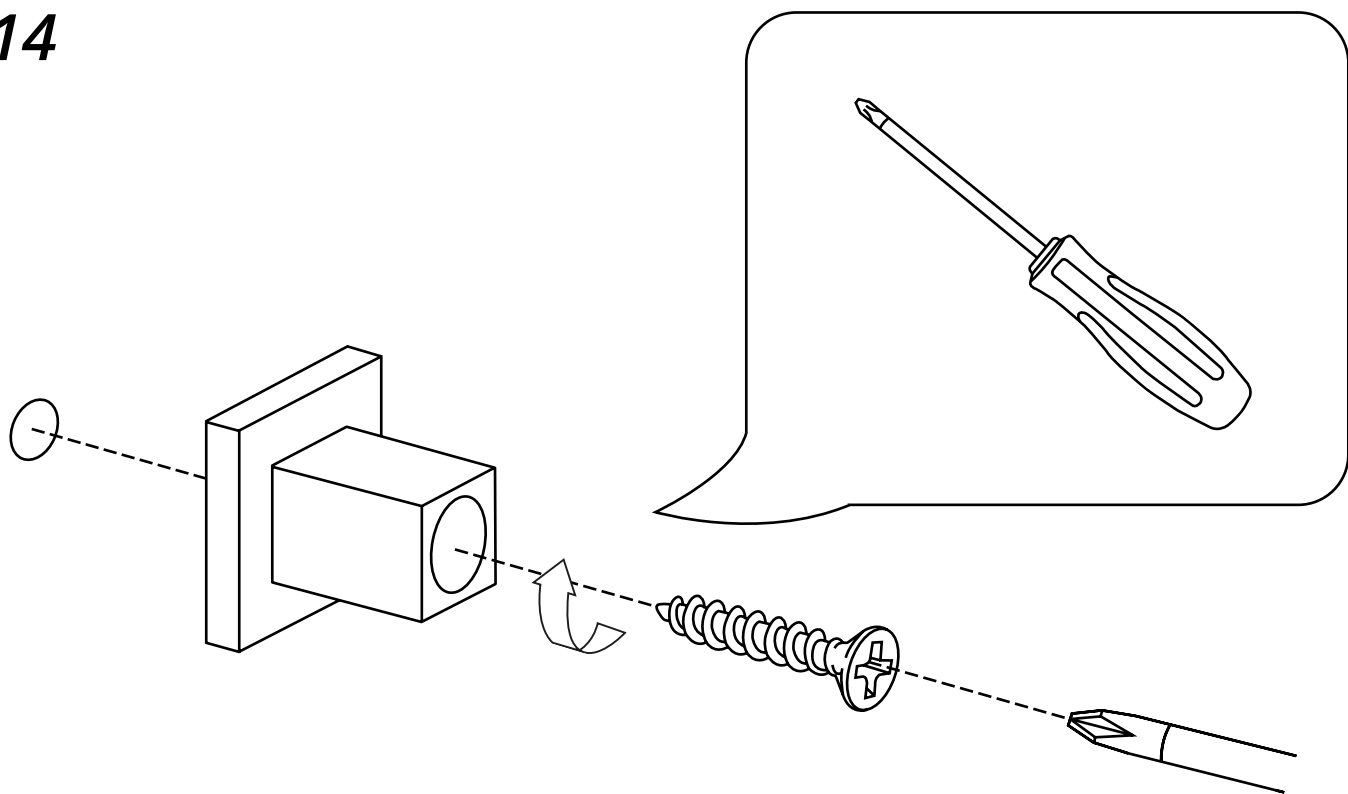
12



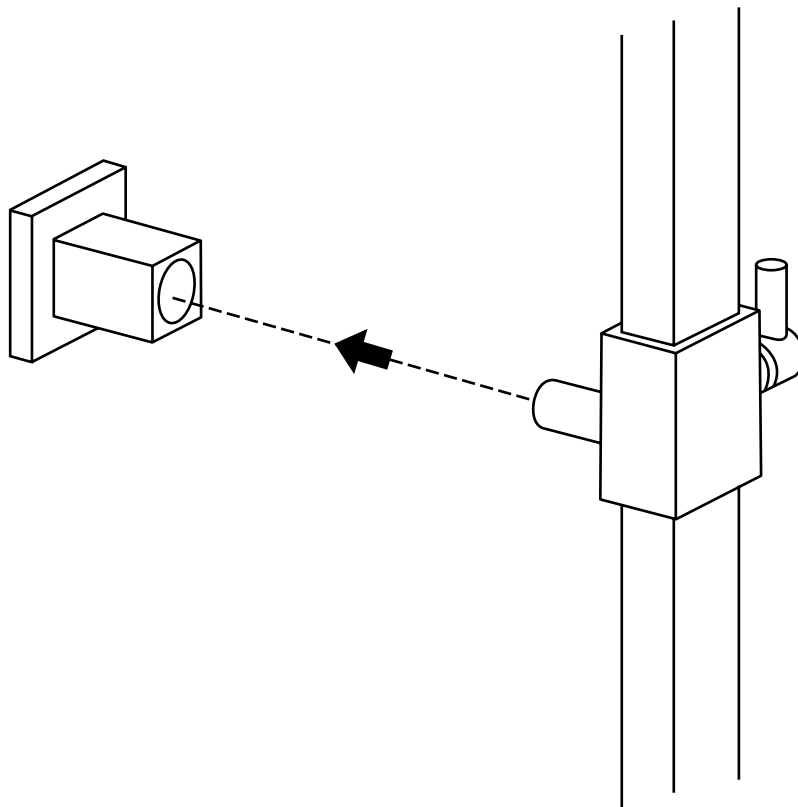
13



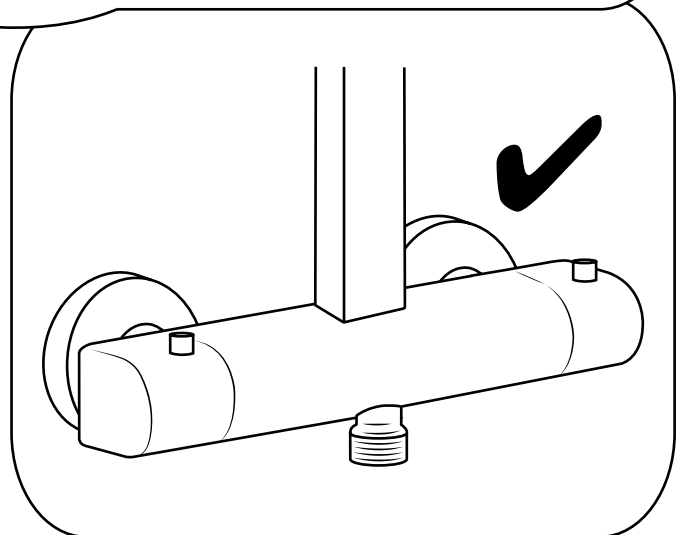
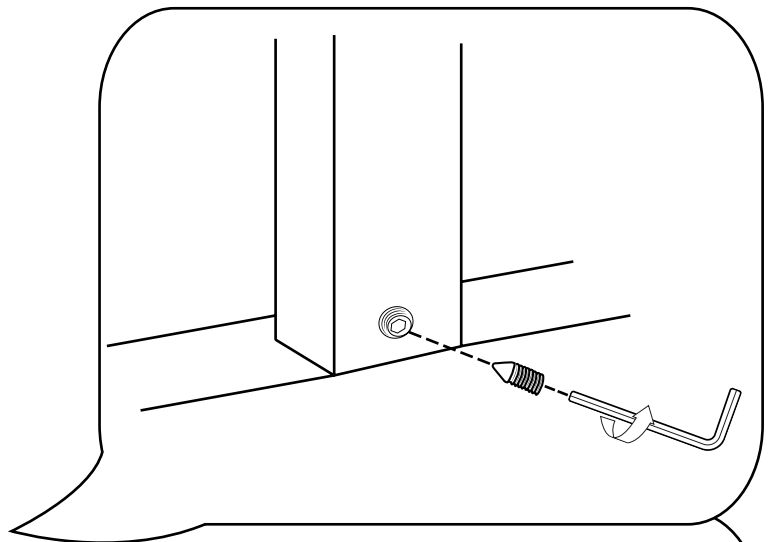
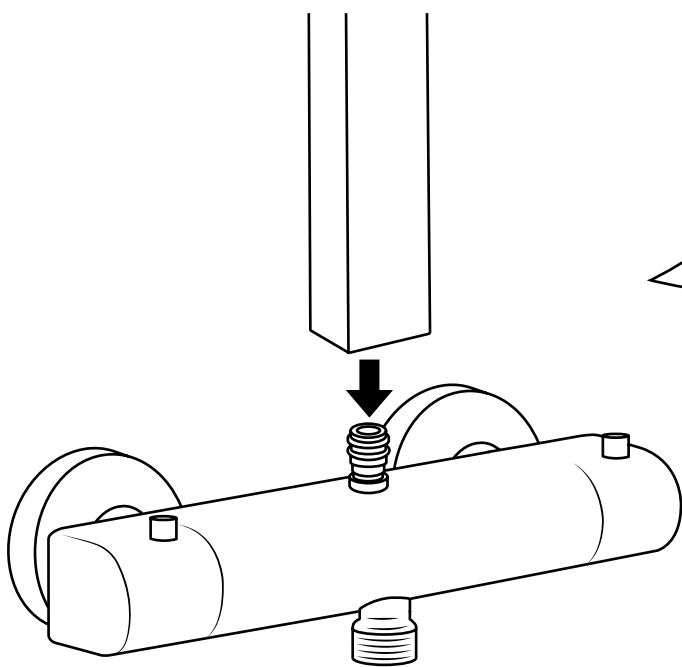
14



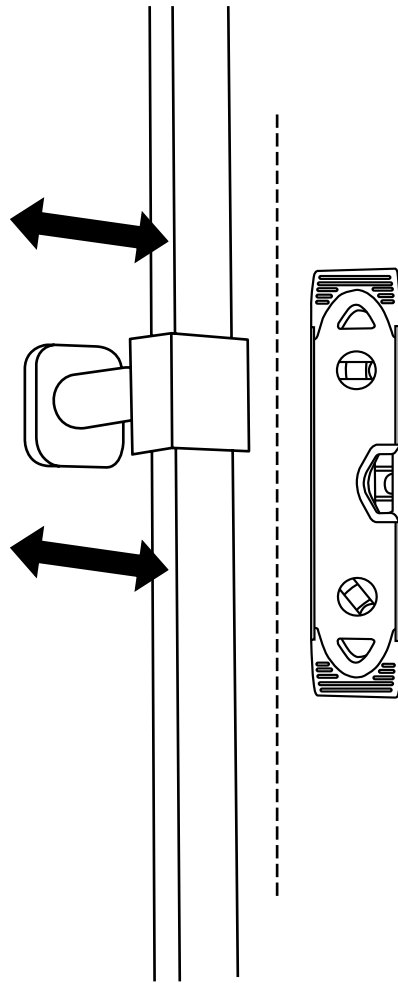
15



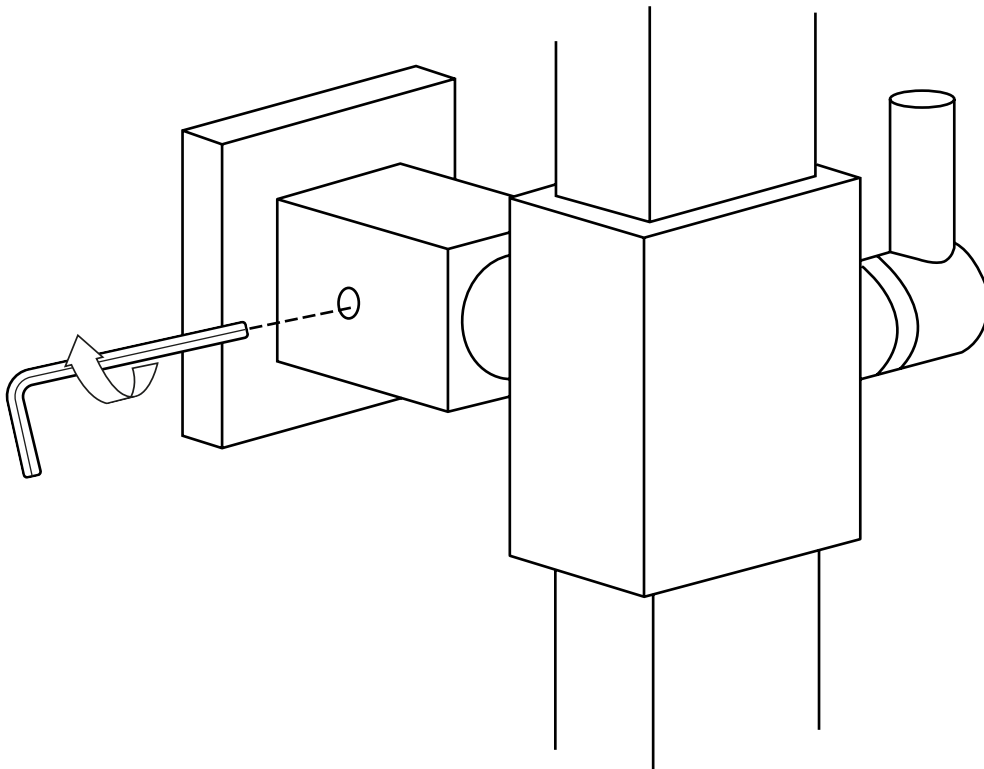
16



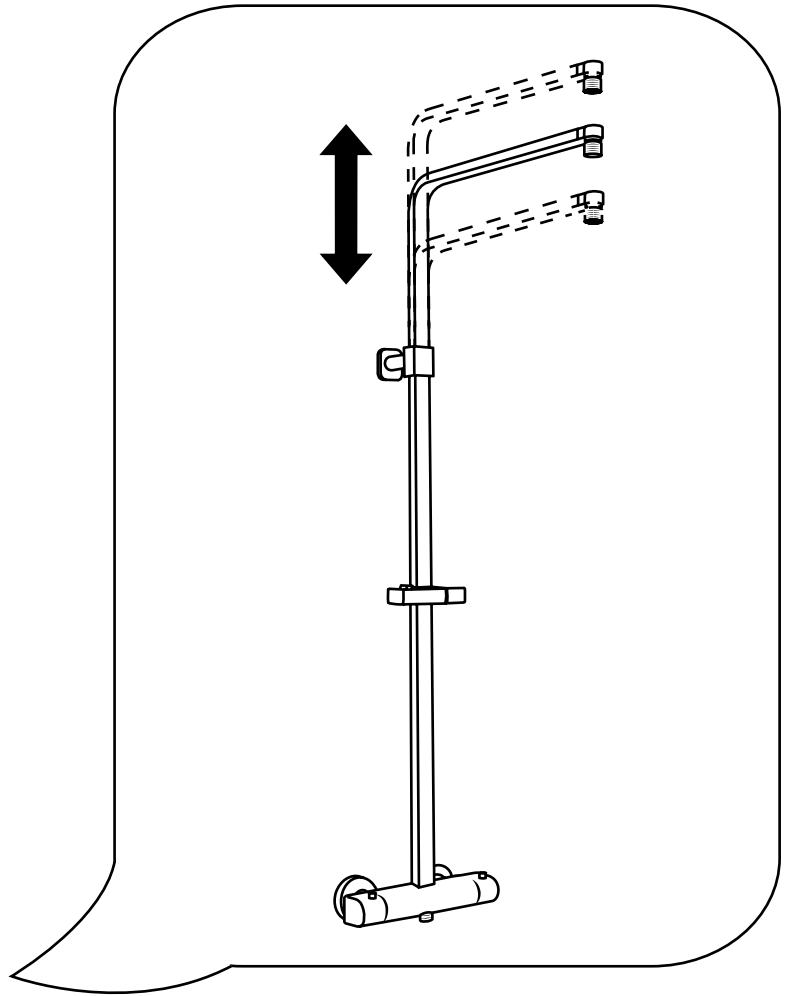
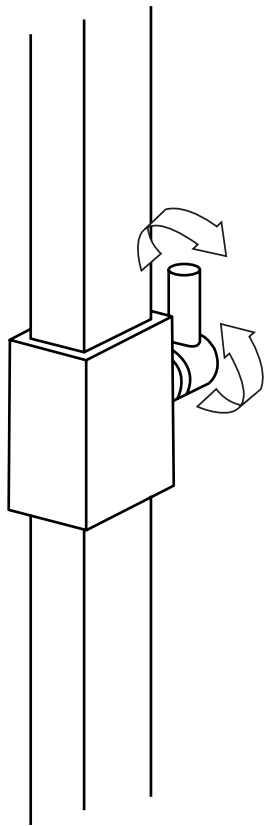
17



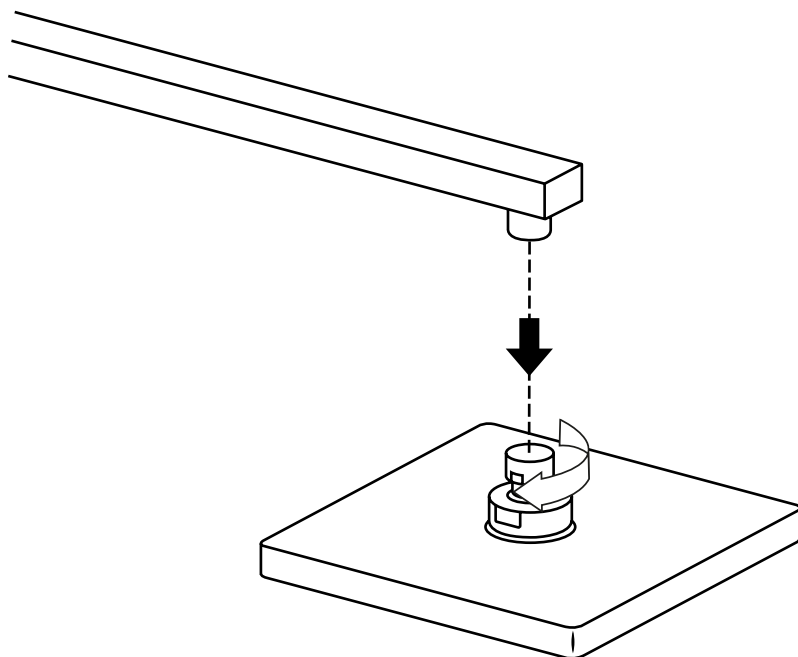
18



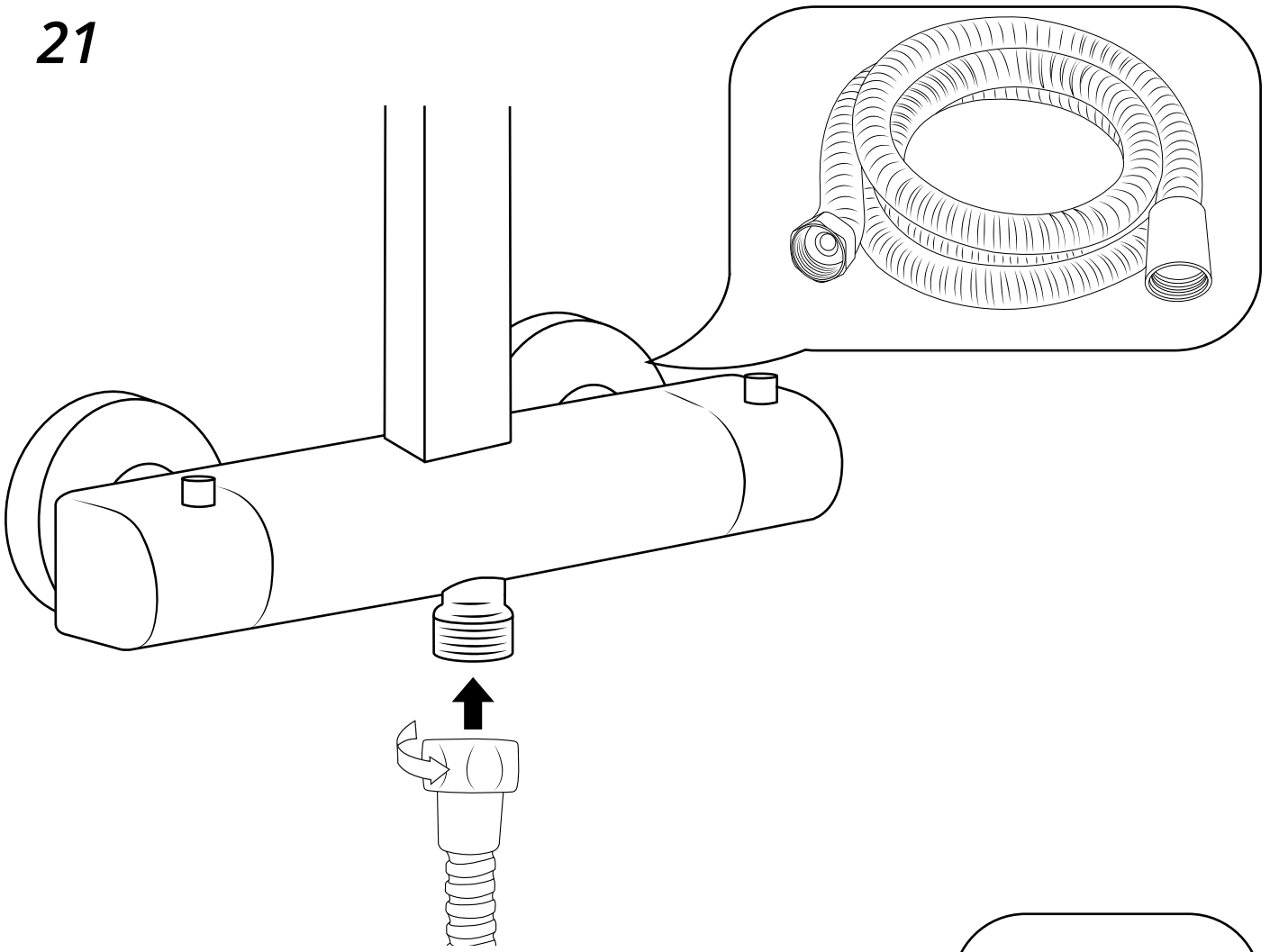
19



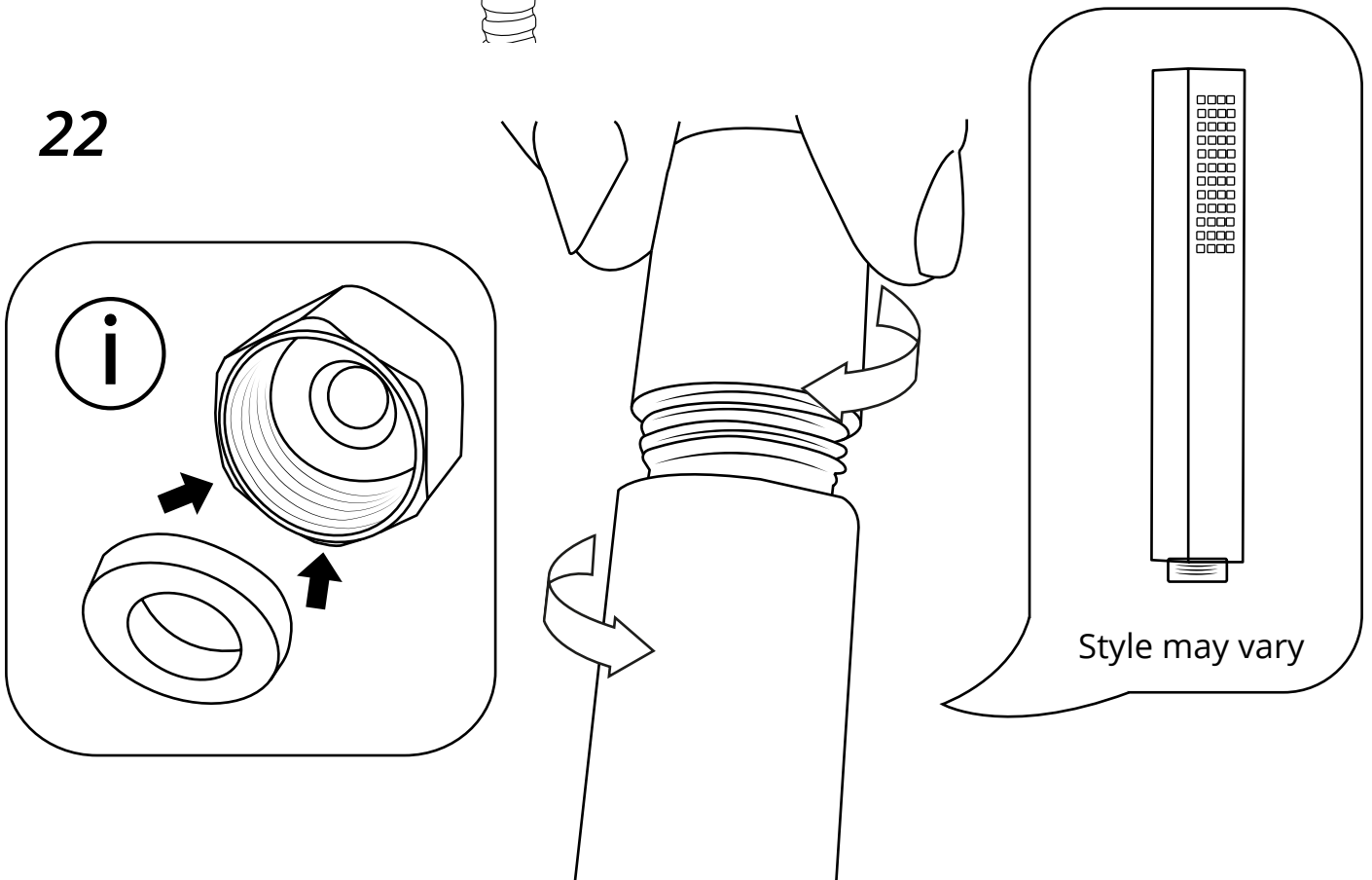
20

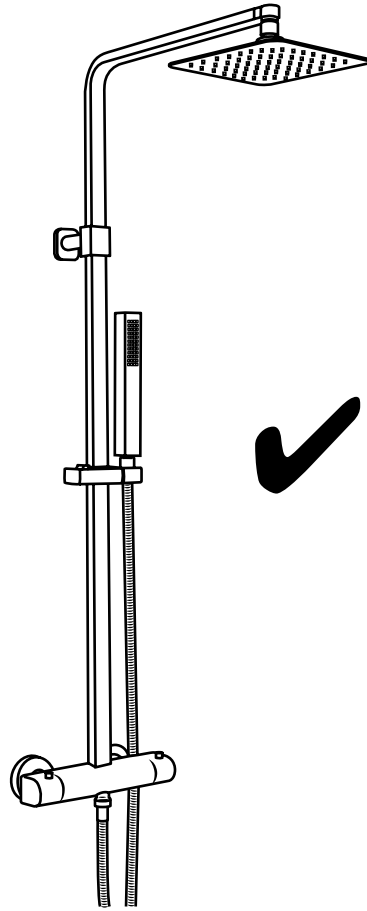



21



22





 Style may vary