

Aladdin Autovent

Installation Guide

Contents

Tools Required **Page - 2**

Installation **Page - 2**

Aftercare **Page - 6**

Your Guarantee **Page - 6**

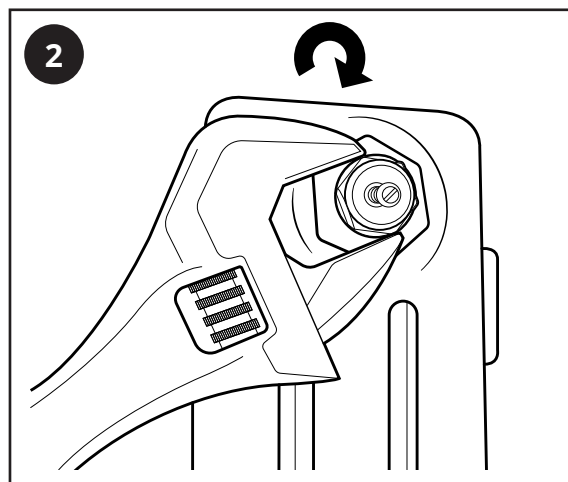
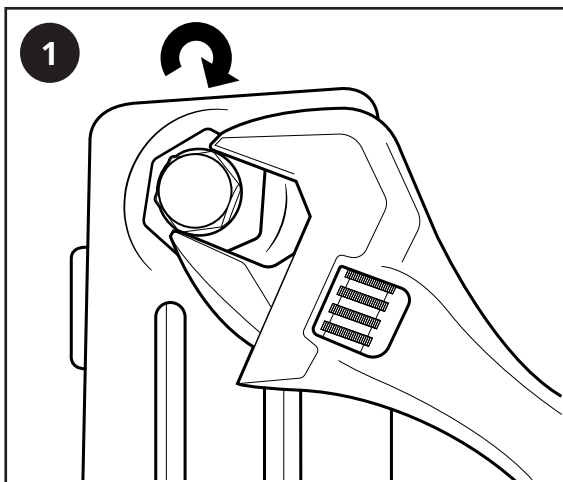
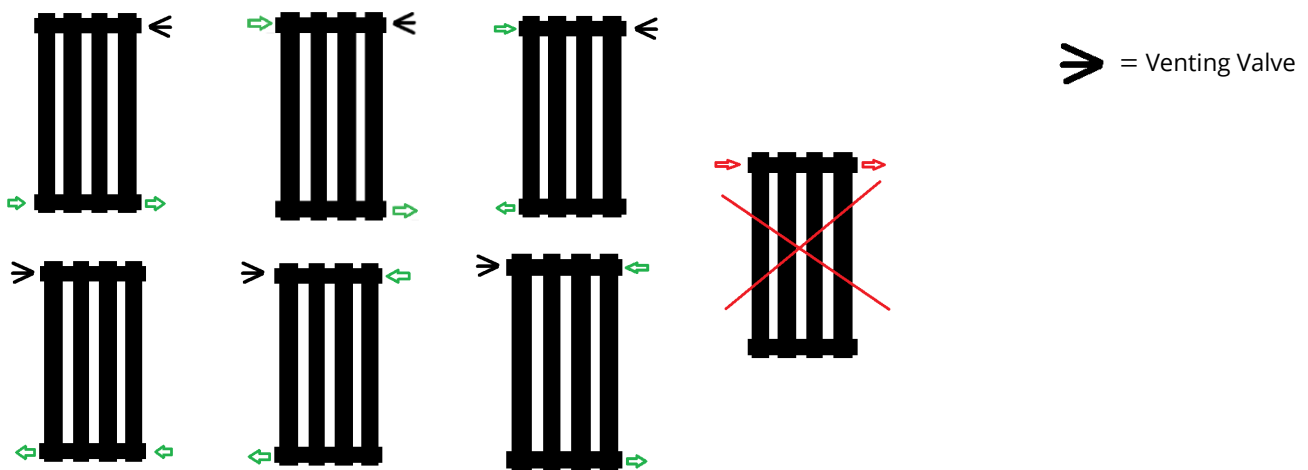
Tools required for installing:



Installation

Valve installation advice :

Please ensure that Aladdin Autovent is fitted as per the below diagrams ensuring that the venting point always remains at the top of the unit.



Aftercare

Clean any marks with a soft dry cloth, for stubborn stains please clean with mild soapy water and buff out with a soft cloth. DO NOT use abrasive or acidic cleaners, if you are unsure, please contact us first.

Your Guarantee

- This product is covered by a 5 year guarantee.
- The guarantee starts from the date of purchase.
- The guarantee covers you against issues caused as a result of manufacturing related issues, it does not apply to issues that are found to be a result of poor installation.
- Labor costs for installation of the product are not covered and the guarantee does not cover you for consequential loss.

Recycling and Disposal

Please recycle the packaging in accordance with your local government regulations on waste handling, and follow the same advice at the end of the products life.

Product - Brass.

Packaging - Plastic.

Contact us

LDG
Unit 1&2 Dawson Court
Burnley
Lancashire
England
BB11 5UG